



ES50

Heavy Duty Pass-Through Recirculating Dishwasher



- Generous height opening of 400mm for kitchen utensils
- Counter balanced lift up hood with ergonomically designed wrap around handle
- Easy to use electro mechanical controls
- Durable stainless steel wash arms
- Automatic fill to wash and rinse tanks
- 1000 Watt wash pump
- Accurate digital temperature displays
- 3 Wash programs to match degree of soil
- Suitable for corner or inline installation

FEATURES

BENEFITS

EASILY REMOVABLE SPRAY ARMS AND FILTERS



REDUCED CONTAMINATION OF WASH WATER WITH SOIL GIVES LOW DETERGENT CONSUMPTION

REQUIRES 3 PHASE ELECTRICAL SUPPLY



PROVIDES ADEQUATE ELECTRICAL LOAD FOR FAST TEMPERATURE RECOVERY AND FAST CYCLING

MACHINE STARTS UPON CLOSURE OF HOOD



FULLY AUTOMATIC FOR EASY OPERATION

7200 WATT RINSE WATER TEMPERATURE BOOSTER



OPTIMUM RATING TO ENSURE CONTINUOUS CYCLING (QUICK RECOVERY)

ALL STAINLESS STEEL CONSTRUCTION



ENSURES RIGIDITY AND DURABILITY

OPERATION INTERLOCKED TO RINSE TEMPERATURE



MEETS ANZFA SAFE FOOD CODE AND HACCP REQUIREMENTS



"The **ONLY** HACCP approved Warewashing made in Australia for your protection"



10 YEARS GUARANTEE OF PARTS AVAILABILITY
6 YEARS WARRANTY ON STAINLESS BODY
2 YEARS WARRANTY ON WASH PUMP
1 YEAR WARRANTY ON PARTS & LABOUR



serving those who serve the best for

1800 013 123

goldsteineswood.com.au



ES50

Heavy Duty Pass-Through Recirculating Dishwasher

500 x 500 Racks

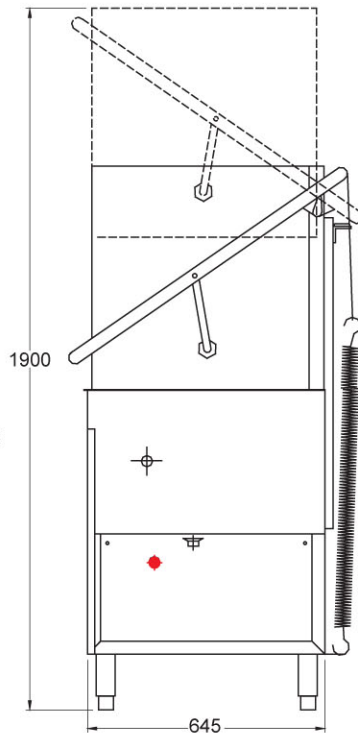
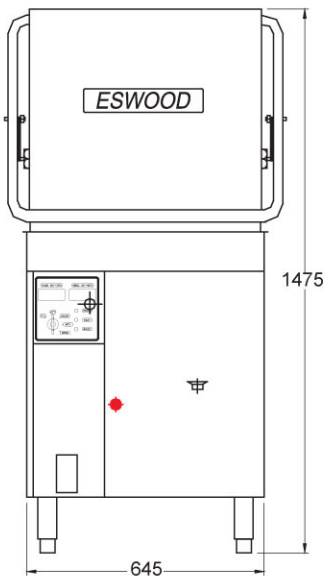
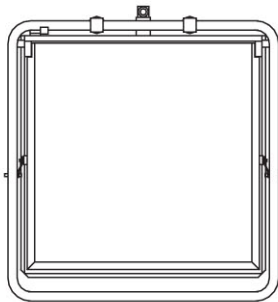
Outstanding Performance:

The all new Eswood ES50 dishwashing machine offers outstanding continuous performance within compact dimensions to satisfy the needs of today's busier commercial kitchens which are catering for around 250 seats.

Efficient Ergonomic Design:

Bench height pass-through operation ensures safe transfer of loaded racks into and out of the wash chamber, while producing an efficient and convenient workflow pattern suitable for in-line or corner feed layouts.

Opening and closing the hood has been made easier with the addition of a wraparound handle and Eswood's exclusive low friction, wear resistant, copolymer guides and pivot bushes.



User Friendly Automatic Operation:

Lift the hood, slide in a loaded rack and close the hood to begin the fully automatic wash/rinse cycle. Should the hood be opened, the machine stops automatically. A reliable and accurate solid state timer provides a choice of three cycle times. The easy to read display thermometers, cycle status indication lights and cycle selection controls are conveniently and safely located at the front of the machine and clearly marked.

Powerful, Hygienic Wash and Rinse Systems:

Completely independent upper and lower spray arms are provided for both the wash and rinse systems. An auto spin drain system on the upper wash arm prevents suds from dripping during rinse cycles. Powerful independent wash and rinse pumps combine with the thermostatically controlled booster heaters to produce a first class wash and rinse every time whilst maintaining minimal cycle times. Wash and rinse supply tanks have convenient automatic fill and low water protection.

Guaranteed Quality Construction and Reliable Performance:

Only the finest stainless steel, non-ferrous and durable synthetic materials are used. All Eswood's products are fully guaranteed and backed by our national support network. The "ES50" is in accordance with ANZFA health regulations and conforms to Australian Standards for Plumbing Safety.

MODEL: ES50 Specifications:

Dimensions (WxDxH):	645 x 645 x 1475 mm
Height with door open:	1890 mm
Rack Size (WxD):	500 x 500 mm
Weight:	112 kg
Electric Connection:	3 Phase - 415V + N
Rating:	10.3 kW
Water Supply:	60°C / 1-4 bar (15-56 psi)
Packed:	0.6 m ³
Meal Service:	120 - 200 pax (50 racks/hr)
Wash Cycle:	60 sec 85 sec 115 sec
Water Consumption:	4L cycle
Tank Capacity:	45L

- ⊕ Drain 2" BSP Gravity.
- ◆ Hot water supply 1/2" BSP.
- ⊕ Electrical Connection.

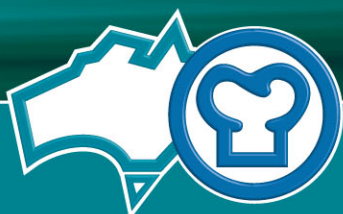
Includes: 2 x plate racks, 1 x cup rack and 1 x cutlery container

Options

Insulated hood: Reduces noise & saves energy.

goldsteineswood.com.au

QEC2900 2 NOVEMBER 2008



GOLDSTEIN ESWOOD

Established 1911 • Proudly Australian Made

211-217 Woodpark Rd, Smithfield NSW 2164
 Telephone: 1800 013 123 Facsimile: (02) 9604 5420
 Email: sales@goldsteineswood.com.au

Proudly Distributed By

"Serving those who serve the best for 100 years"