



Flake ice is generated through a vertical cylinder, with an internal auger which scrapes the ice from the internal surface of the evaporator. This produces uniform flake ice with a residual water content

High production modular flaker.
Up to 120kg production per 24/hr of flake ice.
Head only. Stainless steel cabinet.
Complete with water & drain hoses.
10 AMP power supply.



ICE PRODUCTION

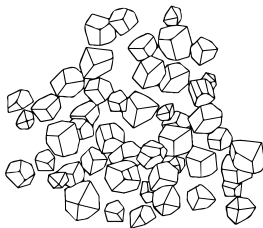
Air Cooled Unit

Air Temp.		Water Temperature			
°C		32°	21°	15°	10°
°F		90°	70°	60°	50°
10°		104	112	116	120
50°		229	247	256	264
21°		98	106	110	114
70°		216	234	242	251
32°		87	95	99	103
90°		192	209	218	227
38°		80	88	92	96
100°		176	194	203	212

Water Cooled Unit

Air Temp.		Water Temperature			
°C		32°	21°	15°	10°
°F		90°	70°	60°	50°
10°		104	112	116	120
50°		229	247	256	264
21°		94	102	106	110
70°		207	225	234	242
32°		89	97	101	105
90°		196	214	223	231
38°		87	95	99	103
100°		192	209	218	227

CUBE TYPE



25%
FLAKE ICE
residual water content

Flake ice has a lot of uses, from the conservation and display of fresh fish to cocktail creation and juice bars. Flake ice is also used in hospitals and during the production of sausages and bread, to chill the mix. Flake ice is extremely versatile.

CONTROL PANEL



SUGGESTED STORAGE BIN



BH56
Stainless steel storage bin.
120kg capacity.

DIMENSIONS

W x D x H (mm)
564 x 536 x 531

OPERATING REQUIREMENTS

Rejected Heat	968 W
Air Volume	500 m ³ /h



220-240/50/1



R134a GWP =1430

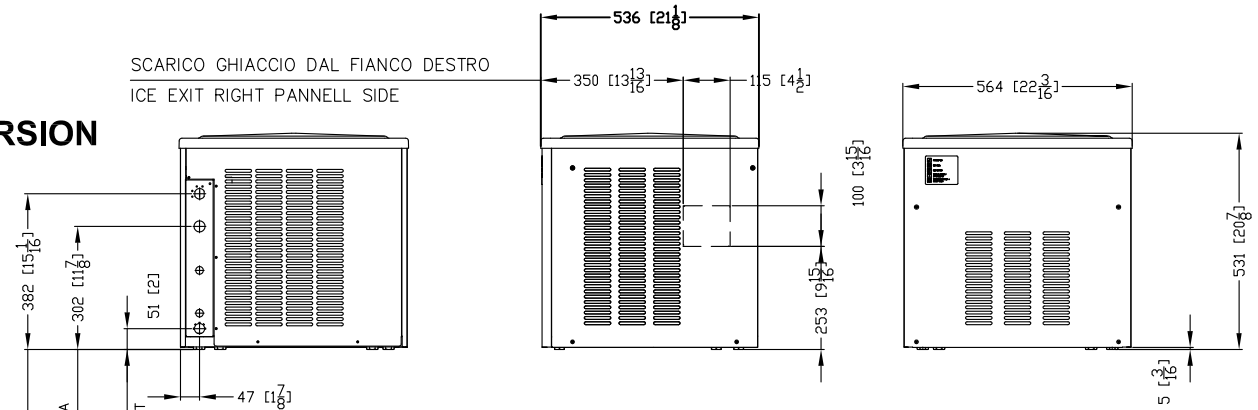
MIN		MAX
10°C (50°F)		40°C (104°F)
5°C (41°F)		35°C (95°F)
- 10 %		+ 10 %
1 Bar (14 psi)		5 Bar (70 psi)



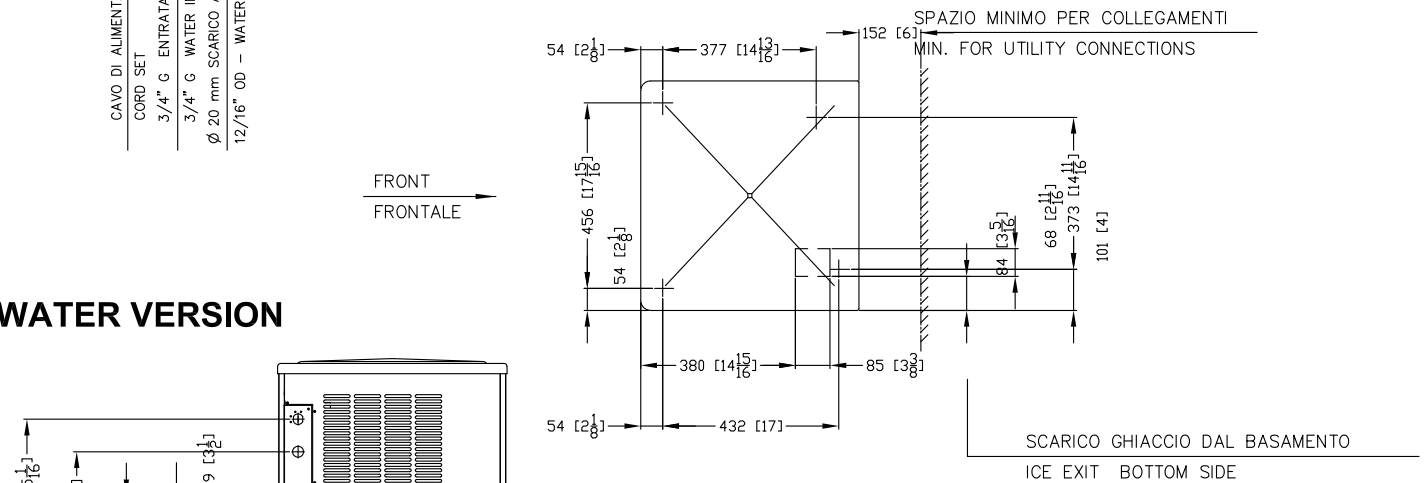
SPECIFICATIONS

	cond	comp. W	ABS. W	Fuse	kWh/100kg	L / hr	kg	lbs	kg	lbs	Ton CO2 equiv.
F120 A		1200	500	10	11.6	4	45	99	52	115	0.63
F120 W		1200	500	10	11.3	29	45	99	52	115	0.57

AIR VERSION



WATER VERSION



NOTE:

IF THE UNIT IS INSTALLED AS A BUILT-IN/UNDERCOUNTER, BETWEEN 5 AND 10 mm ON EACH SIDE MUST BE CONSIDERED TO ALLOW FOR EASE OF INSTALLATION