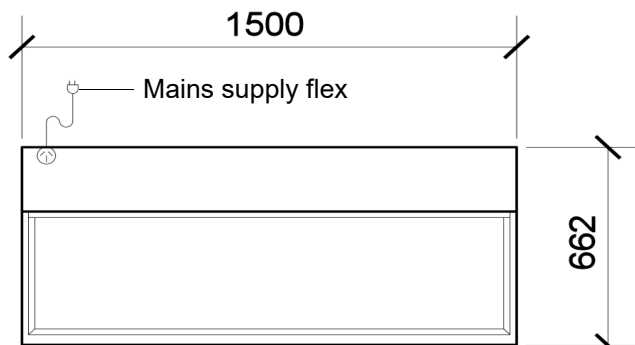


# specifications

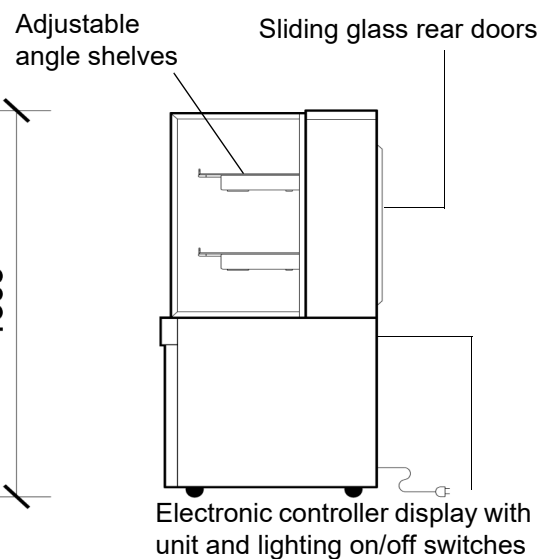
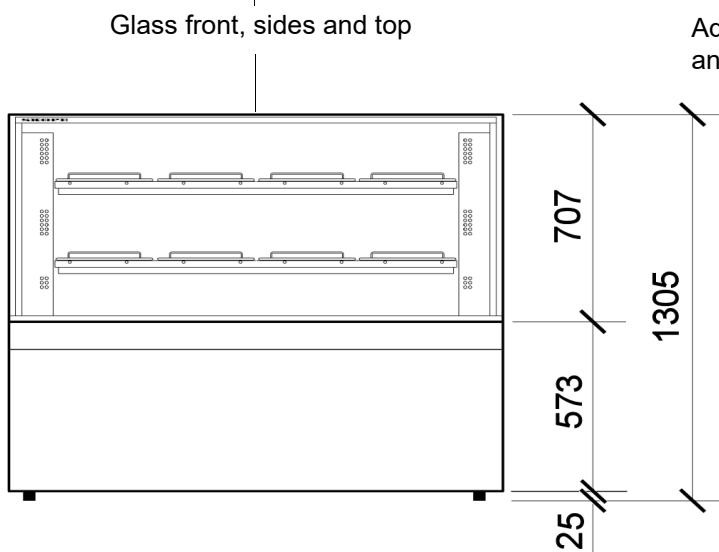
## FDM1500i

Food Display Fridge, INTEGRAL



### CABINET DIMENSIONS

	External	Internal
<b>Height</b>	1305mm	800mm
<b>Width</b>	1500mm	1200mm
<b>Depth</b>	662mm	600mm
<b>Floor area</b>	0.99m <sup>2</sup>	
<b>Gross volume</b>	576L	



### CABINET SPECIFICATIONS

<b>Rear doors</b>	2 double-glazed sliding doors with internal mirror finish
<b>Internal door opening size</b>	2 rear door openings: 540mm wide x 630mm high
<b>Shelves</b>	3 shelves (2 adjustable angle): 1230mm wide x 440mm deep
<b>Weight</b>	225 kg
<b>Electrical safety climate class</b>	4
<b>Internal lighting</b>	3 x 28 Watt T5 fluorescent tubes (Ø16mm x 1150mm) Daylight 860
<b>Electrical</b>	220-240 Volts a.c. 50 Hz, single phase supply, 3.4 Amp
<b>Temperature range</b>	+1° C to +7°C in 32°C ambient
<b>GEMS energy consumption</b>	11.86 kWh/24h
<b>GEMS annual running cost</b>	\$1,300 p.a. (@ \$0.30/kWh)
<b>Refrigeration system</b>	Integral food display refrigeration unit with electronic controller
<b>Refrigerant</b>	R134a / 950g
<b>Nominal capacity</b>	620 Watts
<b>Insulation</b>	50mm polyurethane foam
<b>Drainage</b>	No plumbing required

SKOPE Industries Limited reserves the right to alter specifications without notice. Copyright © 2007 SKOPE Industries Limited.