

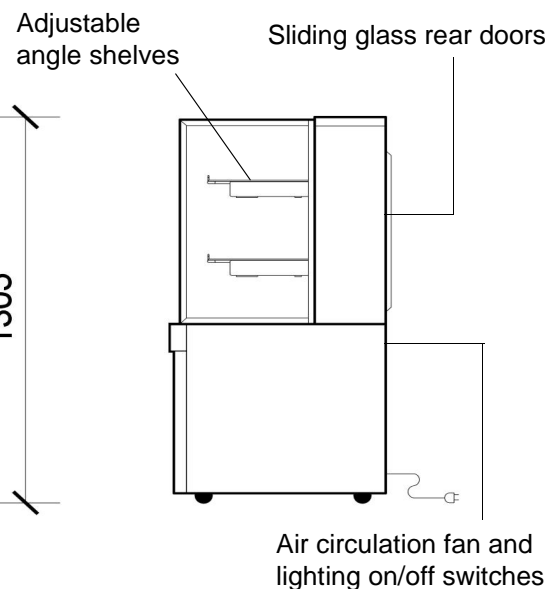
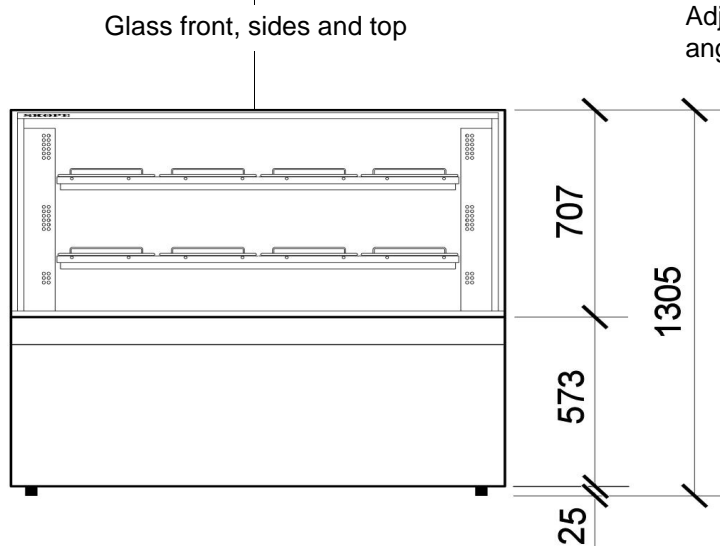
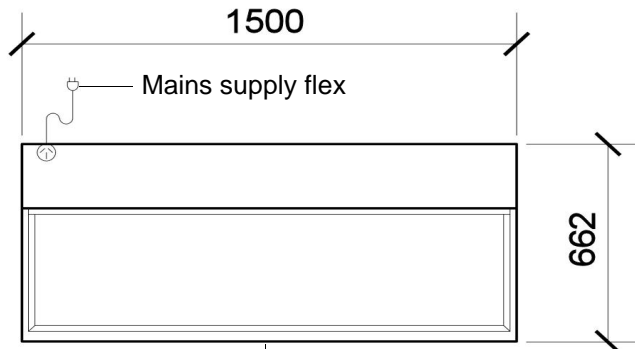
specifications

FDM1500a

SKOPE Food Display Cabinet
AMBIENT Type: F1531

CABINET DIMENSIONS

| | External | Internal |
|--------------------|--------------------|----------|
| Height: | 1305mm | 800mm |
| Width: | 1500mm | 1200mm |
| Depth: | 662mm | 600mm |
| Floor area: | 0.99m ² | |



Copyright © 2007 SKOPE Industries Limited

CABINET SPECIFICATIONS

| | |
|------------------------------------|---|
| Refrigeration system: | Ambient Food Display Refrigeration Unit |
| Refrigerant: | n.a. |
| Nominal capacity: | n.a. |
| Cabinet internal volume: | 576 litres |
| Insulation: | 50mm polyurethane foam |
| Cabinet temperature range: | n.a. |
| Drainage: | No plumbing required |
| Electrical: | 220-240 Volts a.c. 50 Hz, single phase supply, 0.5 Amp |
| Internal lighting: | 3 x 28Watt T5 fluorescent tubes (Ø16mm x 1150mm) Daylight 860 |
| Rear doors: | 2 double-glazed sliding doors with internal mirror finish |
| Internal door opening size: | 2 rear door openings: 540mm wide x 630mm high |
| Shelves: | 3 shelves (2 adjustable angle): 1230mm wide x 440mm deep |
| Total weight: | 167 kg |

SKOPE Industries Limited reserve the right to alter specifications without notice.

Rev 3.0 Oct. 2009 edition



SKOPE INDUSTRIES LIMITED



New Zealand Freephone: 0800 947 5673, Fax: (03) 983 3896. Australian Freephone: 1800 121 535, Freefax: 1800 121 533

Email: enquiry@skope.co.nz Website: www.skope.co.nz