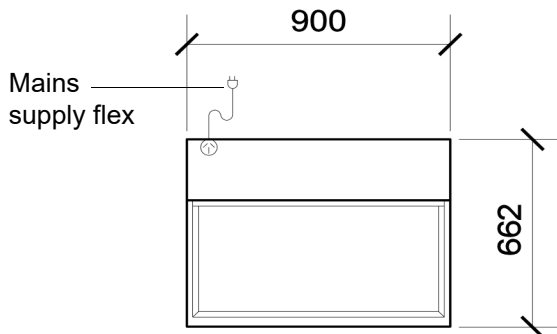


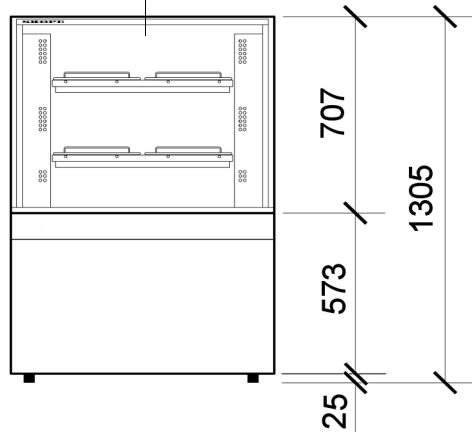
specifications

FDM900i

Food Display Fridge, INTEGRAL



Glass front, sides and top

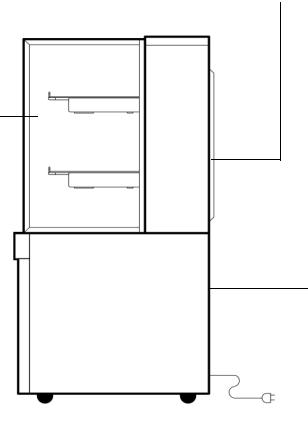


CABINET DIMENSIONS

	External	Internal
Height	1305mm	800mm
Width	900mm	600mm
Depth	662mm	600mm
Floor area	0.60m ²	
Gross volume	288L	

Sliding glass rear doors

Adjustable angle shelves



Electronic controller display with unit and lighting on/off switches

CABINET SPECIFICATIONS

Rear doors	2 double-glazed sliding doors with internal mirror finish
Internal door opening size	2 rear door openings: 275mm wide x 630mm high
Shelves	3 shelves (2 adjustable angle): 630mm wide x 440mm deep
Weight	160 kg
Electrical safety climate class	4
Internal lighting	3 x 14 Watt T5 fluorescent tubes (Ø16mm x 550mm) Daylight 860
Electrical	220-240 Volts a.c. 50 Hz, single phase supply, 2.0 Amp
Temperature range	+1° C to +7°C in 32°C ambient
GEMS energy consumption	7.86 kWh/24h
GEMS annual running cost	\$861 p.a. (@ \$0.30/kWh)
Refrigeration system	Integral food display refrigeration unit with electronic controller
Refrigerant	R134a / 480g
Nominal capacity	450 Watts
Insulation	50mm polyurethane foam
Drainage	No plumbing required

SKOPE Industries Limited reserves the right to alter specifications without notice. Copyright © 2007 SKOPE Industries Limited.

PSS0166 Rev 3.2 Jun. 2021



SKOPE INDUSTRIES LIMITED

New Zealand Freephone: 0800 947 5673, Australian Freephone: 1800 121 535

Email: skope@skope.com Website: www.skope.com

