

## Ambient 3000 Series

800/1200/1500/1800



Designed with price in mind these cabinets suit the smaller café, kiosk and C-store. The Inline 3000 still comes with many of the features associated with the higher priced models such as moving air refrigeration. The Inline 3000's unique construction allows the cabinet to be counter mounted. The Inline 3000 comes packed with features to enhance food presentation.

### OPTIONS:



slide door



fixed front

### FEATURES

- Stainless steel construction
- Toughened glass
- Front sliding doors (SD)
- Fixed front (FF)
- Rear sliding doors
- Cabinet top lighting
- Adjustable shelving
  - Height : 25.4mm Increments
  - Angle : Flat or 10° Pitch
- Stainless steel flat trays
- Shelf mounted ticket strip - Front and rear
- Counter integration options
  - counter top
  - recessed

### ACCESSORIES

#### Factory Fitted Accessories

- Shelf lighting

#### Standard Accessories

- Wire racks
- Small goods trays
- Angled base shelf
- Thermal divider panel - Prevents heat transfer between heated and refrigerated cabinets



refrigerated



controlled ambient



ambient



heated



bain marie

### COMPLIANCE & APPROVALS



HACCP



Australia  
T 1800 813 745  
F 1800 813 746  
E [ausales@fpgworld.com](mailto:ausales@fpgworld.com)  
142 Proximity Drive  
Sunshine, P O Box 5062  
Vic 3020  
Australia

China/Asia  
T +86 21 5284 9755  
F +86 21 3633 1611  
E [asales@fpgworld.com](mailto:asales@fpgworld.com)  
Rm 104, Building 8  
No.31 KaiXuan Road (S)  
Shanghai 200232  
P R China

New Zealand  
T +64 6 843 3249  
F +64 6 843 2466  
E [nzsales@fpgworld.com](mailto:nzsales@fpgworld.com)  
110 Austin Street  
P O Box 3029  
Napier, 4112  
New Zealand

United Kindom  
T 0800 234 7922  
F 0808 234 7921  
E [uksales@fpgworld.com](mailto:uksales@fpgworld.com)  
80 Haymarket  
London SW1Y4TQ  
United Kingdom

Europe  
T +49 89 7190 9062  
F +49 89 7190 9063  
E [eusales@fpgworld.com](mailto:eusales@fpgworld.com)  
20a Kreggerheim Straße  
München 81377  
Germany

1  
3ATS-REVA

**FPG**  
food display = retail solutions

## Ambient 3000 Series 800/1200/1500/1800

SPECIFICATIONS				
	3A08	3A12	3A15	
Height	769mm	769mm	769mm	
Width	803mm	1203mm	1503mm	
Depth	663mm	663mm	663mm	
Dry Weight	60Kg	90Kg	119Kg	
No. of Shelves	3 + Base	3 + Base	3 + Base	
Display Area	0.9 m <sup>2</sup>	1.40m <sup>2</sup>	1.80m <sup>2</sup>	
Voltage	230-240V	230-240V	230-240V	
Power	0.07Kw	0.12Kw	0.17Kw	
Typical Current	0.32Amps	0.52Amps	0.72Amps	
Connection	10 Amp 3 Pin Plug	10 Amp 3 Pin Plug	10 Amp 3 Pin Plug	
Climatic Class & IP	Class N, IP22	Class N, IP22	Class N, IP22	
SHIPPING (Crated)				
Height	945mm	950mm	990mm	
Width	875mm	1280mm	1570mm	
Depth	755mm	755mm	755mm	
Weight	104Kg	138Kg	162Kg	
Volume	0.62m <sup>3</sup>	0.91m <sup>3</sup>	1.17m <sup>3</sup>	



refrigerated



controlled ambient



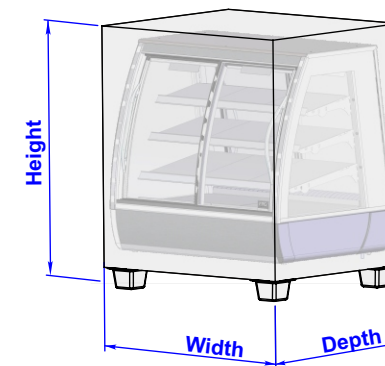
ambient



heated

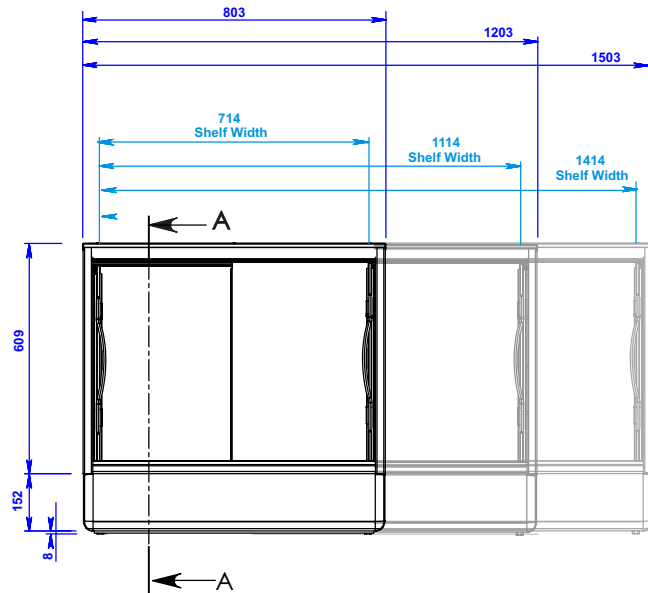


bain marie

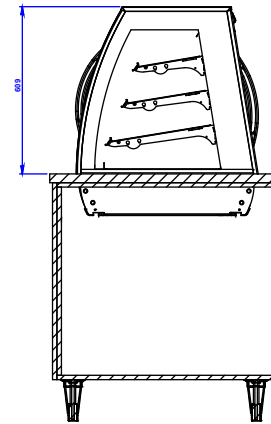


2  
3ATS-REVA

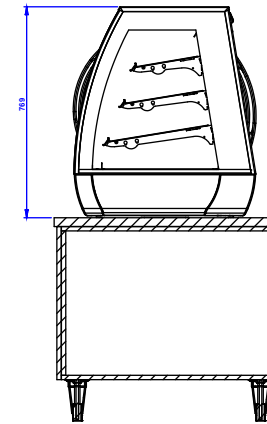
## Ambient 3000 Series 800/1200/1500/1800



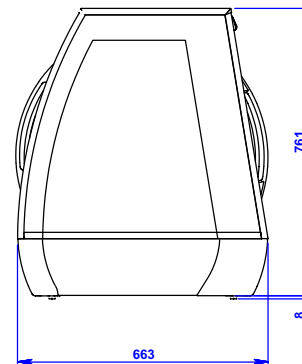
FRONT ELEVATION



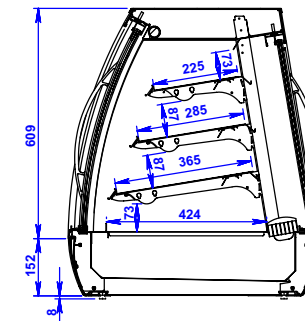
RECESS MOUNTED



COUNTER TOP MOUNTED



SIDE ELEVATION



SECTION A-A



refrigerated



controlled  
ambient



ambient



heated



bain marie

3  
3ATS-REVA