

Heated 3000 Series 800/1200/1500/1800



Designed with price in mind these cabinets suit the smaller café, kiosk and C-store. The Inline 3000 still comes with many of the features associated with the higher priced models such as moving air refrigeration. The Inline 3000's unique construction allows the cabinet to be counter mounted. The Inline 3000 comes packed with features to enhance food presentation.

OPTIONS:



slide door



fixed front

FEATURES

- Stainless steel construction
- Toughened glass
- Front sliding doors (SD)
- Fixed front (FF)
- Rear sliding doors
- Cabinet top lighting
- Adjustable shelving
 - Height : 25.4mm Increments
 - Angle : Flat or 10° Pitch
- Wire racks
- Shelf mounted ticket strip - Front and rear
- Perforated base trays can be removed and replaced with 1/1 Gastronorm dishes 65mm deep
- Low wattage density elements for even temperature
- Cabinet operating temperature range 30°C - 90°C
- Counter integration options
 - counter top
 - recessed

ACCESSORIES

Factory Fitted Accessories

- Shelf lighting

Standard Accessories

- Angled base shelf
- Pie chutes
- Pie chute dividers
- Chicken shelves - Fully bagged chickens only
- Stainless steel flat trays
- Able to accommodate Gastronorm Inserts into the Base
- Thermal divider panel - Prevents heat transfer between heated and refrigerated cabinets



refrigerated



controlled ambient



ambient



heated



bain marie

COMPLIANCE & APPROVALS



HACCP



Australia
T 1800 813 745
F 1800 813 746
E ausales@fpgworld.com
142 Proximity Drive
Sunshine, P O Box 5062
Vic 3020
Australia

China/Asia
T +86 21 5284 9755
F +86 21 3633 1611
E asales@fpgworld.com
Rm 104, Building 8
No.31 KaiXuan Road (S)
Shanghai 200232
P R China

New Zealand
T +64 6 843 3249
F +64 6 843 2466
E nzsales@fpgworld.com
110 Austin Street
P O Box 3029
Napier, 4112
New Zealand

United Kindom
T 0800 234 7922
F 0808 234 7921
E uksales@fpgworld.com
80 Haymarket
London SW1Y4TQ
United Kingdom

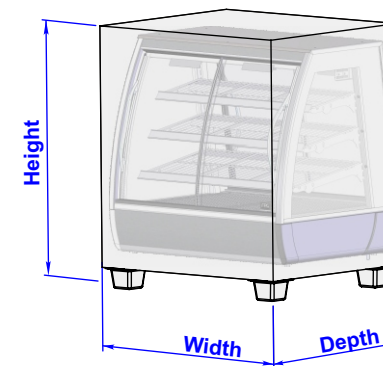
Europe
T +49 89 7190 9062
F +49 89 7190 9063
E eusales@fpgworld.com
20a Kreggerheim Straße
München 81377
Germany

1
3HTS-REVA

FPG
food display ■ retail solutions

Heated 3000 Series 800/1200/1500/1800

SPECIFICATIONS				
	3H08	3H12	3H15	
Height	769mm	769mm	769mm	
Width	803mm	1203mm	1503mm	
Depth	663mm	663mm	663mm	
Dry Weight	62Kg	92Kg	122Kg	
Temp range	30°C - 90°C	30°C - 90°C	30°C - 90°C	
No. of Shelves	3 + Base	3 + Base	3 + Base	
Display Area	0.9 m ²	1.40m ²	1.80m ²	
Voltage	230-240V	230-240V	230-240V	
Power	1.12Kw	1.72Kw	2.25Kw	
Typical Current	4.88Amps	7.48Amps	9.77Amps	
Connection	10 Amp 3 Pin Plug	10 Amp 3 Pin Plug	10 Amp 3 Pin Plug	
Climatic Class & IP	Class N, IP22	Class N, IP22	Class N, IP22	
SHIPPING (Crated)				
Height	950mm	950mm	950mm	
Width	875mm	1275mm	1580mm	
Depth	755mm	755mm	755mm	
Weight	106Kg	140Kg	165Kg	
Volume	0.62m ³	0.91m ³	1.13m ³	



refrigerated



controlled ambient



ambient



heated

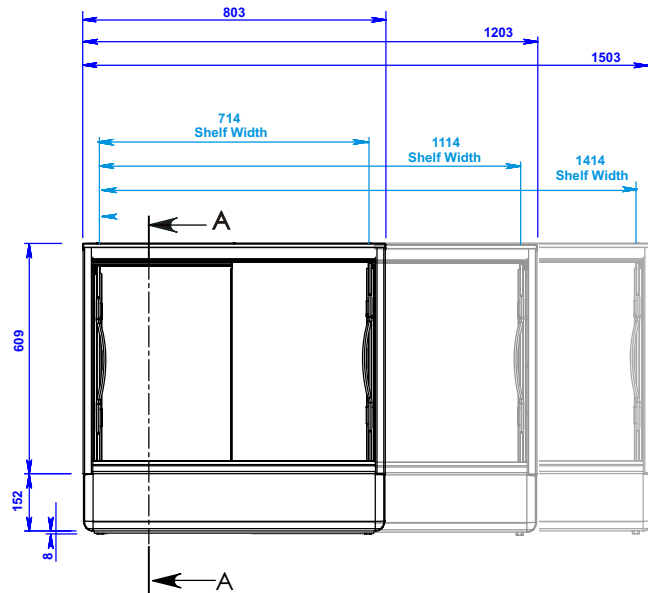


bain marie

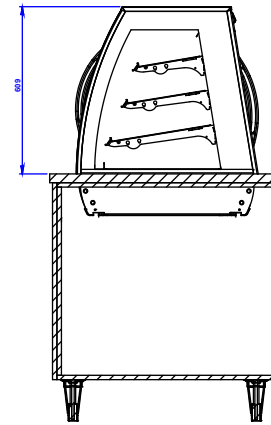
2
3HTS-REVA



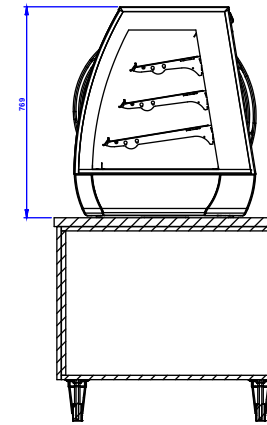
Heated 3000 Series 800/1200/1500/1800



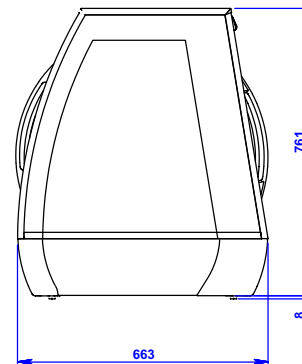
FRONT ELEVATION



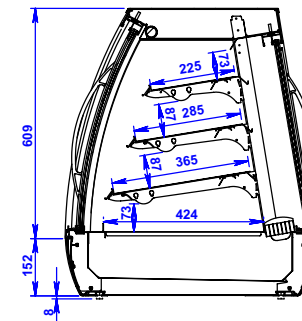
RECESS MOUNTED



COUNTER TOP MOUNTED



SIDE ELEVATION



SECTION A-A



refrigerated



controlled ambient



ambient



heated



bain marie

3
3HTS-REVA