



These cabinets offer a price competitive solution for the busy food service business wanting to display a large quantity or wide variety of food. Lighting and merchandising features are designed to create impact and increase sales. The Inline 4000 series is freestanding and available in a range of sizes and capacities. They come ready to "plug in" which means installation is quick and easy.

## OPTIONS:



slide door



fixed front

## Ambient 4000 Series

800 / 1200 / 1500 / 1800

### FEATURES

- Stainless steel construction
- Toughened glass
- Front sliding doors (SD)
- Fixed front (FF)
- Rear sliding doors
- Lighting above all display areas
- Adjustable shelving
  - Height : 25.4mm Increments
  - Angle : Flat or 10° Pitch
- Stainless steel flat trays
- Ticket strip
- Adjustable 150mm feet (30mm adjustment)

### ACCESSORIES

#### Factory Fitted Accessories

- Castors (Lockable)

#### Standard Accessories

- Rear deck assembly with no bag & tong holder
- Rear deck assembly with 1x bag and tong holder
- Angled base shelf
- Small goods trays
- Thermal divider panel - Prevents heat transfer between heated and refrigerated cabinets.



refrigerated



controlled ambient



ambient



heated

### COMPLIANCE & APPROVALS



HACCP



Australia  
T 1800 813 745  
F 1800 813 746  
E ausales@fpgworld.com  
142 Proximity Drive  
Sunshine, P O Box 5062  
Vic 3020  
Australia

China/Asia  
T +86 21 5284 9755  
F +86 21 3633 1611  
E asales@fpgworld.com  
Rm 104, Building 8  
No.31 KaiXuan Road (S)  
Shanghai 200232  
P R China

New Zealand  
T +64 6 843 3249  
F +64 6 843 2466  
E nzsales@fpgworld.com  
110 Austin Street  
P O Box 3029  
Napier, 4112  
New Zealand

United Kindom  
T 0800 234 7922  
F 0808 234 7921  
E uksales@fpgworld.com  
80 Haymarket  
London SW1Y4TQ  
United Kingdom

Europe  
T +49 89 7190 9062  
F +49 89 7190 9063  
E eusales@fpgworld.com  
20a Kreggerheim Straße  
München 81377  
Germany

1  
4ATS-REVA

**FPG**  
food display = retail solutions

## Ambient 4000 Series 800/1200/1500/1800

SPECIFICATIONS				
	4A08	4A12	4A15	
Height	1405mm	1405mm	1405mm	
Width	803mm	1203mm	1503mm	
Depth	774mm	774mm	774mm	
Dry Weight	96Kg	130Kg	185Kg	
No. of Shelves	3 + Base	3 + Base	3 + Base	
Display Area	1.0 m <sup>2</sup>	1.60m <sup>2</sup>	2.00m <sup>2</sup>	
Voltage	230-240V	230-240V	230-240V	
Power	0.07Kw	0.12Kw	0.14Kw	
Current	0.30Amps	0.52Amps	0.62Amps	
Connection	10 Amp 3 Pin Plug	10 Amp 3 Pin Plug	10 Amp 3 Pin Plug	
Climatic Class & IP	Class N, IP22	Class N, IP22	Class N, IP22	
SHIPPING (Crated)				
Height	1560mm	1560mm	1560mm	
Width	880mm	1290mm	1580mm	
Depth	870mm	870mm	870mm	
Weight	165Kg	213Kg	247Kg	
Volume	1.19m <sup>3</sup>	1.73m <sup>3</sup>	2.14m <sup>3</sup>	



refrigerated



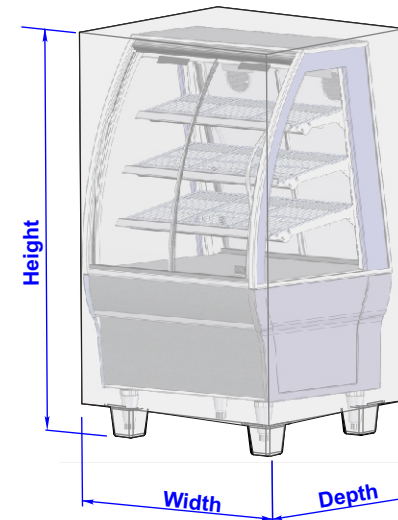
controlled ambient



ambient



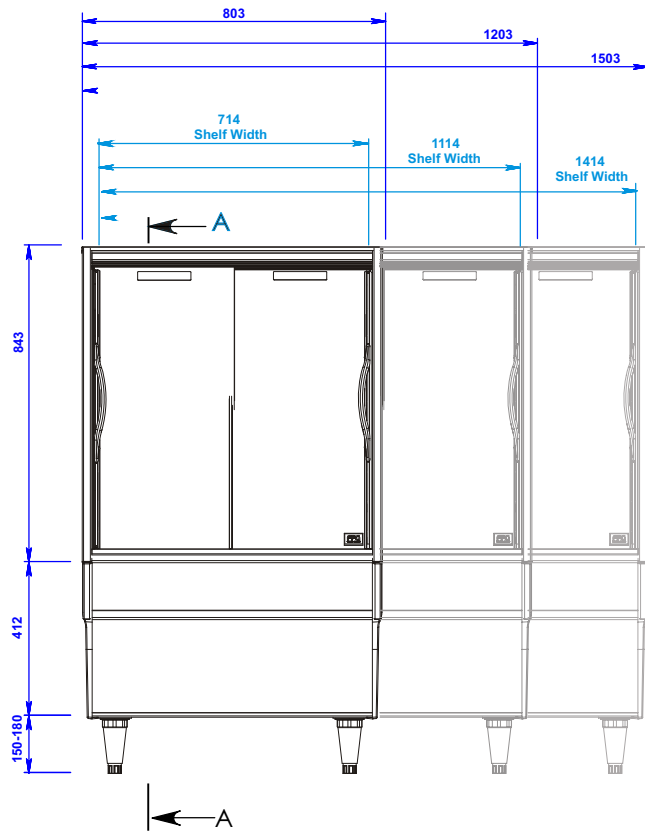
heated



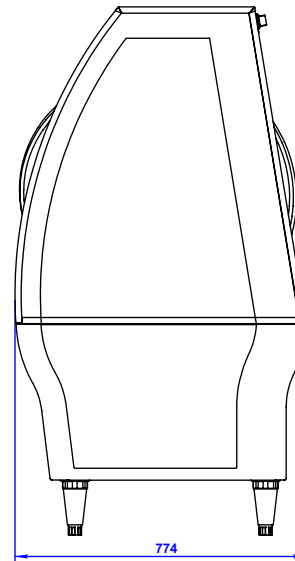
2  
4ATS-REVA



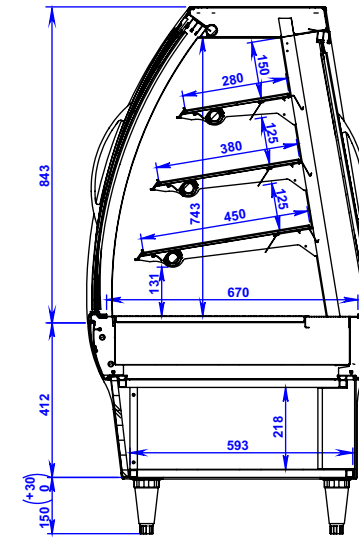
## Ambient 4000 Series 800/1200/1500/1800



FRONT ELEVATION



SIDE ELEVATION



SECTION A-A



refrigerated



controlled ambient



ambient



heated

3  
4ATS-REVA