

Refrigerated Integral 4000 Series 800 / 1200 / 1500 / 1800



These cabinets offer a price competitive solution for the busy food service business wanting to display a large quantity or wide variety of food. Lighting and merchandising features are designed to create impact and increase sales. The Inline 4000 series is freestanding and available in a range of sizes and capacities. They come ready to "plug in" which means installation is quick and easy.

OPTIONS:



slide door



fixed front

FEATURES

- Stainless steel construction
- Toughened double glazed glass
- Front sliding doors (SD)
- Fixed front (FF)
- Rear sliding doors
- Lighting above all display areas
- Adjustable shelving
 - Height : 25.4mm Increments
 - Angle : Flat or 10° Pitch
- Stainless steel flat trays
- Ticket strip
- Moving air refrigeration maintains cabinet temperature of 2-4°C with up to 60 door openings per hour
- Integral condenser
- Automatic defrost cycle

ACCESSORIES

Factory Fitted Accessories

- Condensate evaporator tray
- Castors (Lockable)

Standard Accessories

- Rear deck assembly with no bag and tong holder
- Rear deck assembly with 1x bag and tong holder
- Angled base shelf
- Small goods trays
- Thermal divider panel - Prevent heat transfer between heated and refrigerated cabinets



refrigerated



controlled ambient



ambient



heated

COMPLIANCE & APPROVALS



MEPS



HACCP

Australia
T 1800 813 745
F 1800 813 746
E ausales@fpgworld.com
142 Proximity Drive
Sunshine, P O Box 5062
Vic 3020
Australia

China/Asia
T +86 21 5284 9755
F +86 21 3633 1611
E asales@fpgworld.com
Rm 104, Building 8
No.31 KaiXuan Road (S)
Shanghai 200232
P R China

New Zealand
T +64 6 843 3249
F +64 6 843 2466
E nzsales@fpgworld.com
110 Austin Street
P O Box 3029
Napier, 4112
New Zealand

United Kindom
T 0800 234 7922
F 0808 234 7921
E uksales@fpgworld.com
80 Haymarket
London SW1Y4TQ
United Kingdom

Europe
T +49 89 7190 9062
F +49 89 7190 9063
E eusales@fpgworld.com
20a Kreggerheim Straße
München 81377
Germany

1
4CTS-REVA

FPG
food display ■ retail solutions

Refrigerated Integral 4000 Series

800 / 1200 / 1500 / 1800

| SPECIFICATIONS | | | | |
|------------------------------------|------------------------|------------------------|------------------------|------------------------|
| | 4C08 | 4C12 | 4C15 | 4C18 |
| Height | 1405mm | 1405mm | 1405mm | 1405mm |
| Width | 803mm | 1203mm | 1503mm | 1803mm |
| Depth | 774mm | 774mm | 774mm | 774mm |
| Dry Weight | 116Kg | 174Kg | 220Kg | 264Kg |
| Temp Range | 2-4°C | 2-4°C | 2-4°C | 2-4°C |
| No. of Shelves | 3 + Base | 3 + Base | 3 + Base | 3 + Base |
| Display Area | 1.00 m ² | 1.60m ² | 2.00m ² | 2.50m ² |
| Voltage | 230-240V | 230-240V | 230-240V | 230-240V |
| Power | 0.63Kw | 0.69Kw | 1.27Kw | 1.60Kw |
| Typical Current | 2.75Amps | 2.98Amps | 5.50Amps | 5.94Amps |
| Connection | 10 Amp 3 Pin Plug | 10 Amp 3 Pin Plug | 10 Amp 3 Pin Plug | 10 Amp 3 Pin Plug |
| Refrigerant Climatic Class & IP | R134a Class N, IP22 | R134a Class N, IP22 | R134a Class N, IP22 | R134a Class N, IP22 |
| SHIPPING (Crated) | | | | |
| Height | 1560mm | 1560mm | 1560mm | 1560mm |
| Width | 880mm | 1280mm | 1580mm | 1880mm |
| Depth | 870mm | 870mm | 870mm | 870mm |
| Weight | 205Kg | 268Kg | 325Kg | 391Kg |
| Volume | 1.19m ³ | 1.73m ³ | 2.14m ³ | 2.55m ³ |



refrigerated



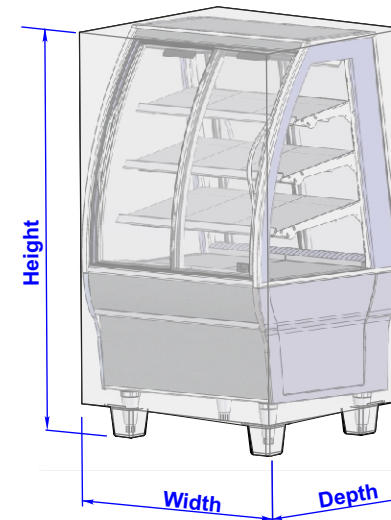
controlled ambient



ambient



heated

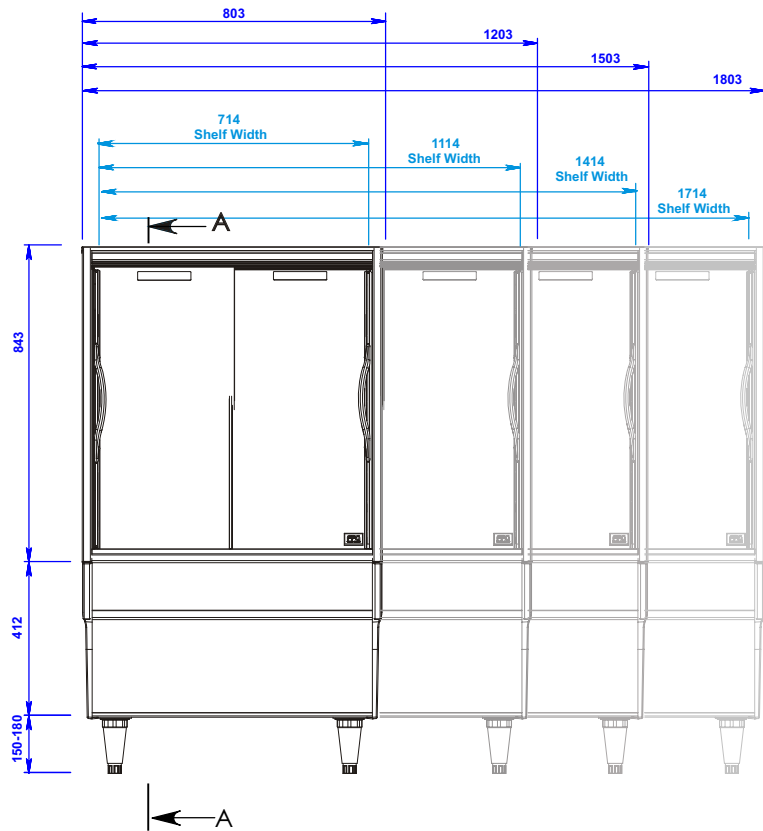


2
4CTS-REVA

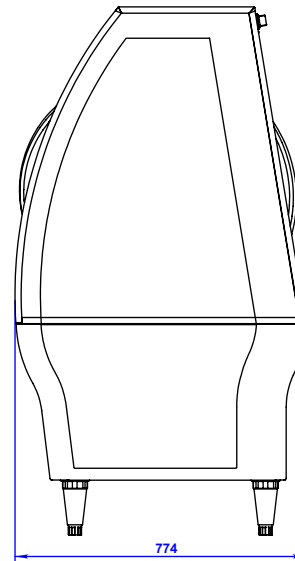


Refrigerated Integral 4000 Series

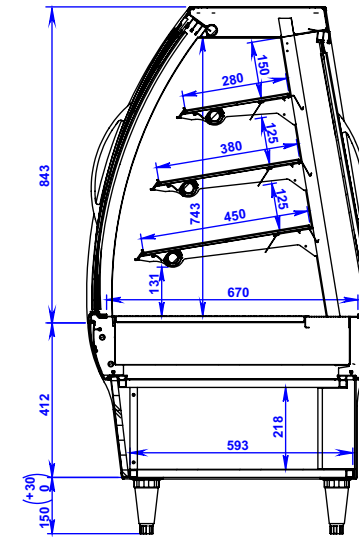
800/1200/1500/1800



FRONT ELEVATION



SIDE ELEVATION



SECTION A-A



refrigerated



controlled ambient



ambient



heated

3
4CTS-REVA