



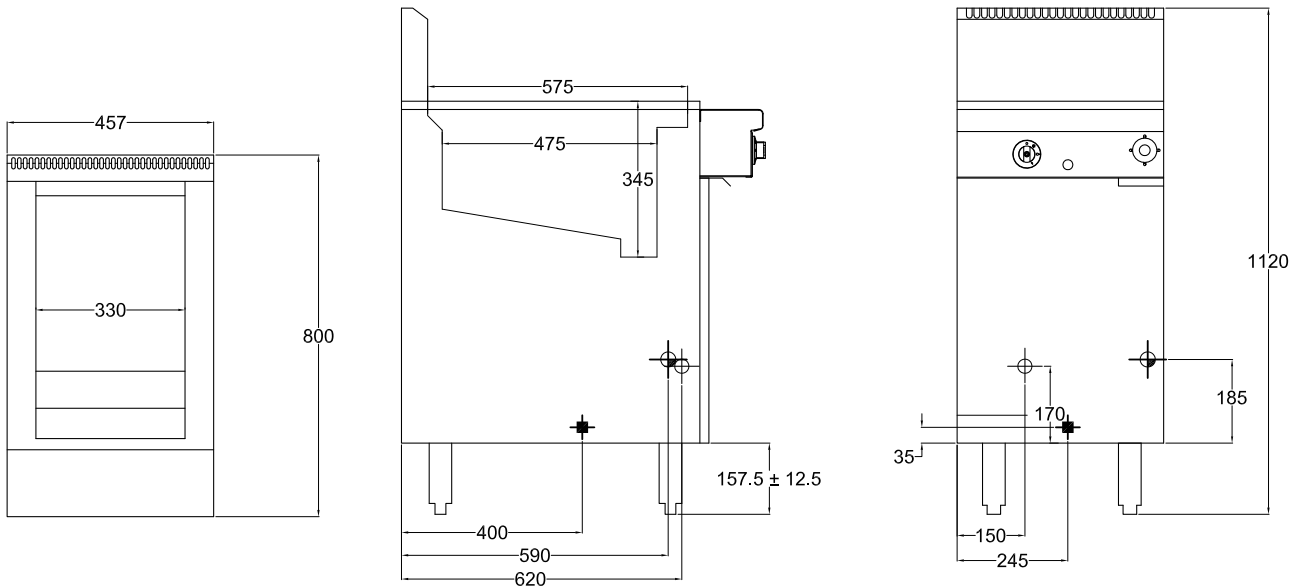
800 SERIES PASTA COOKER

6 portion baskets

FRGIPL – Gas



- Special grade stainless steel for maximum heat transfer and energy efficiency
- All stainless steel outer surfaces for easy cleaning and durability
- Complete with six portion baskets
- Manual fill



FRGIPL 6 portion baskets

SPECIFICATIONS

Dimensions (WxDxH)	457 x 800 x 1120 mm
Working height	900 mm
Baskets	2 large baskets 6 portion control baskets
Rating	80 MJ

- 3/4" BSP Gas Connection
- ⊕ 1" BSP Drain Outlet
- ⊕ 1/2" BSP Water Inlet

Gas Connection	3/4" BSP
Water Connection	1/2" BSP
Drain Connection	1" BSP
Weight	75 kg
Packed	0.4 m ³

Australia's premier food service equipment manufacturer



middleby.com.au

211-217 Woodpark Road, Smithfield NSW 2164
1800 013 123 | +61 2 9604 7333

