

## Technical data sheet for **GAS COOKTOPS 600mm**

G514D-B, G514D-CB, G514D-LS,  
G514C-B, G514C-CB, G514C-LS,  
G514B-B, G514B-CB, G514B-LS

- Heavy-duty construction
- 28 MJ/hr open burners
- Flame failure standard
- Pilot burners optional
- 300mm griddle plate options
- Optional simmer plates
- 3 models of base unit
- Rear rollers
- Stainless steel exterior
- Easy clean
- Easy service
- Fully modular



G514D-LS

### Overall Construction

#### Cooktop

- Welded hob with 1.5mm 304 stainless steel bull nose
- Side panels 1.2mm 304 stainless steel
- Splashback 1.2mm 304 stainless steel
- Vitreous enamelled control panel
- Aluminised steel internal construction
- Cast iron 28MJ/hr open burners with forged brass cap
- Vitreous enamelled cast iron potstands
- Vitreous enamelled open burner spill covers
- Cast iron simmer plates (optional extra)
- 12mm thick mild steel griddle plate
- 2.5mm 304 stainless steel griddle splash guards
- Stainless steel spill trays

Griddle sections are standard on RH side. Available on LH side to order or by conversion.

#### Bench mount (supplied as -B model)

- Four 63mm dia. heavy-duty 1.2mm 304 stainless steel bench legs with adjustable feet
- Adjustable height 80mm – 105mm

#### Cabinet base (supplied as -CB model)

- Fully modular for match suite finish
- Double skin 0.9mm 304 stainless steel interior and exterior
- Optional GN 1/1 4 position racking kit
- 63mm dia. heavy-duty 1.2mm 304 stainless steel legs with two adjustable feet at front and two rollers at rear

#### Leg stand (supplied as -LS model)

- Fully modular for matched suite finish
- Framed top for connection to Cooktop
- 63mm dia. heavy-duty 1.2mm 304 stainless steel legs with two adjustable feet at front and two rollers at rear
- Fully modular framed stand shelf with 0.9mm 304 stainless steel finish
- Suitable for rear or through shelf gas connection to Cooktop
- Quick assembly design

### Controls

- Variable high to low controls to open burners
- Open burners flame failure standard with pilot burners optional
- Variable high to low controls to griddles
- Griddles standard with pilot, flame failure and piezo ignition
- Large easy use control knob - heat resistant reinforced
- Easy view control settings on knob

### Cleaning and Servicing

- All models with easy clean stainless steel external finish
- Lift off burner heads and vitreous enamelled burner spill covers
- Stainless steel spill trays under open burner and griddle sections
- Access to all parts from front of unit

# Technical data sheet for GAS COOKTOPS 600mm

## Specifications

### Burners

Open Burners 28MJ/hr dual flame ring with simmer rate

Griddle Burners 20MJ/hr

### Gas power

G514D 112 MJ/hr, 31kW

G514C 76 MJ/hr, 21kW

G514B 40 MJ/hr, 11kW

### Griddle Plate

300mm Griddle cooking surface

292mm x 475mm, 1387cm<sup>2</sup>

600mm Griddle cooking surface

592mm x 475mm, 2812cm<sup>2</sup>

### Gas connection

R<sup>3</sup>/<sub>4</sub> (BSP) male

All units supplied with Natural and LP gas regulator

## Dimensions

### Bench models

Width 600mm

Depth 812mm

Height 315mm

Incl. splashback 485mm

### All models (excluding Bench model)

Width 600mm

Depth 812mm

Height 915mm

Incl. splashback 1085mm

## Nett weight

### Bench and Leg Stand models

80kg

### Cabinet Base models

80kg

## Packing data

### Bench and Leg Stand models

0.37m<sup>3</sup>, 116kg

Width 645mm

Depth 870mm

Height 665mm

### Cabinet Base models

0.70m<sup>3</sup>, 116kg

Width 645mm

Depth 870mm

Height 1255mm

## Gas types

Available in Natural gas and LP gas, please specify when ordering

Units supplied complete with gas type conversion kits

Other gas types on request

## Options

Adjustable feet at rear

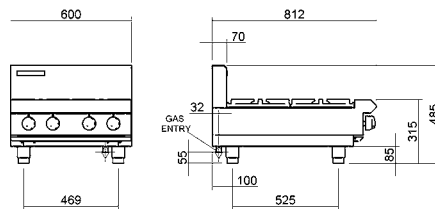
Simmer plates (replaces Potstand)

Ribbed griddle plates

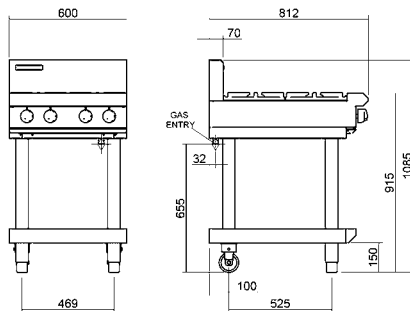
Joining caps

Castors

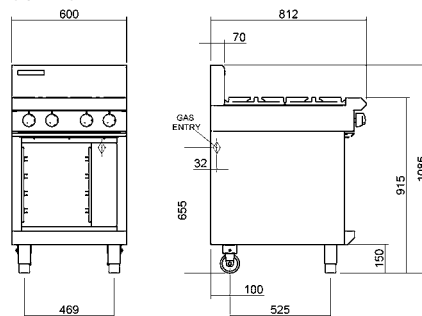
G514-B



G514-LS

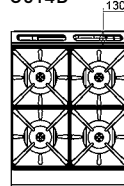


G514-CB

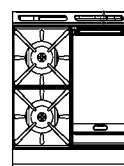


## PLAN

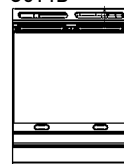
G514D



G514C



G514B



**MOFFAT**

Australia  
www.moffat.com.au  
New Zealand  
www.moffat.co.nz

www.bluesealevolution.com

Australia  
Moffat Pty Limited

Victoria/Tasmania  
740 Springvale Road  
Mulgrave, Victoria 3170  
Telephone 03-9518 3888  
Facsimile 03-9518 3833  
vsales@moffat.com.au

New South Wales  
Telephone 02-8833 4111  
nswsales@moffat.com.au

South Australia  
Telephone 03-9518 3888  
vsales@moffat.com.au

Queensland  
Telephone 07-3630 8600  
qldsales@moffat.com.au

Western Australia  
Telephone 08-9202 6820  
bgarcia@moffat.com.au

New Zealand  
Moffat Limited

Christchurch  
16 Osborne Street  
Christchurch 8011  
Telephone 03-389 1007  
Facsimile 03-389 1276  
sales@moffat.co.nz

Auckland  
Telephone 09-574 3150  
sales@moffat.co.nz



ISO9001  
Quality  
Management  
Standard

Designed and manufactured by

**MOFFAT**

ISO9001

All Blue Seal products are designed and manufactured by Moffat using the internationally recognised ISO9001 quality management system, covering design, manufacture and final inspection, ensuring consistent high quality at all times.



AGA Cert 6902

In line with policy to continually develop and improve its products, Moffat Limited reserves the right to change specifications and design without notice.

Printed in China  
© Copyright Moffat Ltd  
Moffat / 7.09 / 1140

