

## BREMA GB1555A

### SELF-CONTAINED ICE FLAKER

Brema's GB range of self-contained ice flakers produces granular ice flakes and stores them in an internal storage bin.

The Brema GB1555A is a free-standing ice flaking machine that produces 150kg of granular ice per 24 hours and has storage capacity of 55kg.

Granular ice is ideal for exhibiting and presenting foods as well as for use in medical industries. The ice has a fast and efficient refrigerating effect and is easy to handle and dose.



### STANDARD FEATURES

- 150kg production per 24 hours
- 55kg storage capacity
- Produces compact, granular flakes
- Production rated at 21°C air and 15°C water
- Hospital grade stainless steel outer
- Fully insulated internal storage bin
- Disappearing door
- Electromechanical operation
- Powerful gear motor and auger system

#### Ice Flakes



SPECIFICATIONS ARE SUBJECT TO CHANGE WITHOUT NOTICE.

*from the world of Comcater!*

**National Head Office**  
156 Swann Drive  
Derrimut VIC 3030  
Tel: +61 3 8369 4600  
Fax: +61 3 8369 4695

**Melbourne**  
96-100 Tope Street  
South Melbourne VIC 3205  
Tel: +61 3 8369 4600  
Fax: +61 3 8699 1299

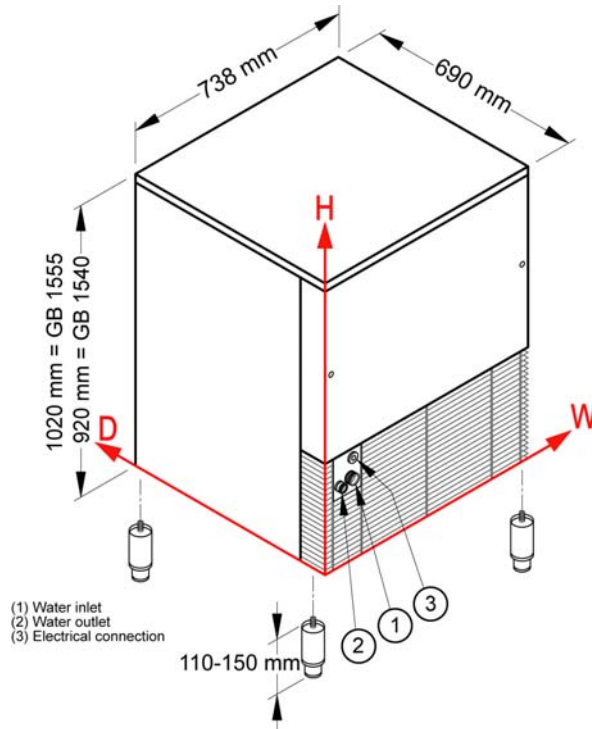
**Sydney**  
20/4 Avenue of the Americas  
Newington, NSW 2127  
Tel: +61 2 9748 3000  
Fax: +61 2 9648 4762

**Brisbane**  
1/62 Borthwick Avenue  
Murarrie QLD 4172  
Tel: +61 7 3399 3122  
Fax: +61 7 3399 5311

**Perth**  
Unit 4/35 Westchester Road  
Malaga WA 6090  
Tel: +61 8 9248 9290  
Fax: +61 8 9248 1903

**COMCATER**  
-foodservice equipment-

# BREMA GB1555A



## DIMENSIONS

738W x 690D x 1020\*H mm  
 (\*add 110-150mm for adjustable legs)

## CONNECTIONS

3/4" Water inlet, 24mm Water outlet  
 & Electrical connection

## TECHNICAL DATA

Production 24h	150 kg
Storage Capacity	55 kg
Cooling System	Air
Ice Type	Granular
Refrigerant	R404A
Electrical Consumption	650W
Power Requirements	240V 10amp
Weight	94 kg

## STANDARD ACCESSORIES

- Water inlet hose
- Drainage hose
- External water filter
- Pressure limiting valve
- Plastic ice scoop
- Adjustable stainless steel legs (4)

## CONNECTIONS

	W	H
Water inlet	104 mm	247 mm
Water outlet	53 mm	240 mm
Electrical connection	92 mm	319 mm
Clearances	Rear: 100 mm	Sides: 100 mm

SPECIFICATIONS ARE SUBJECT TO CHANGE WITHOUT NOTICE.



www.comcater.com.au

PROUDLY DISTRIBUTED BY: