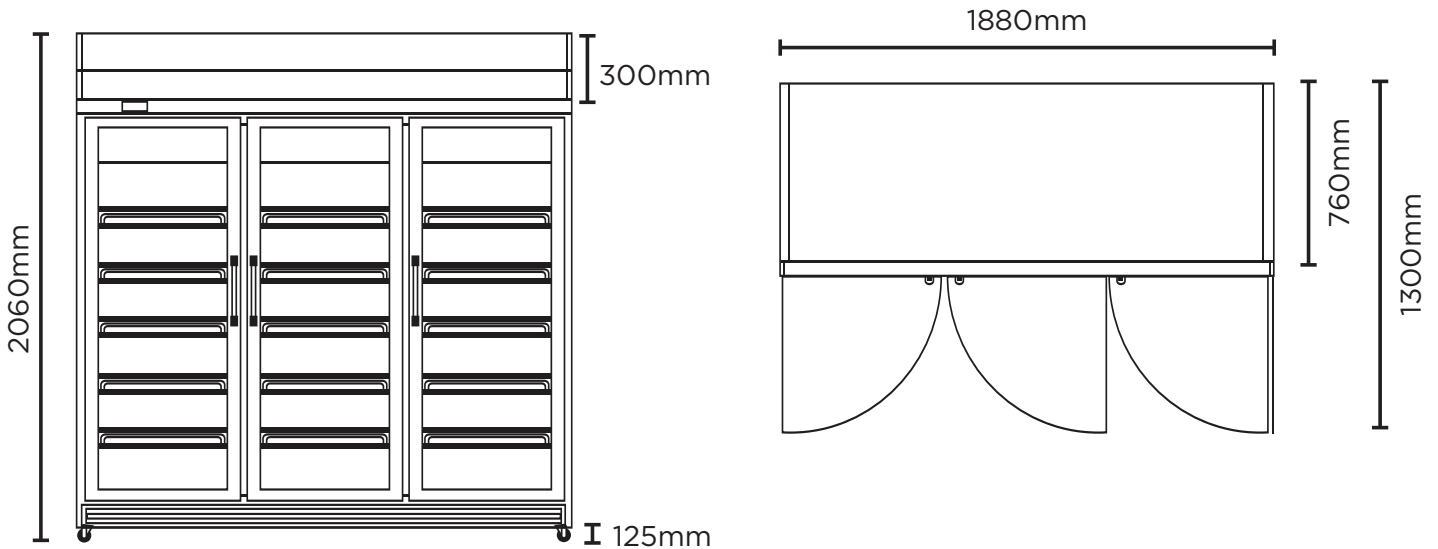


GD1500LF | Flat Glass Door 1507L LED Display Chillers

Vertical Displays & Storage



SPECIFICATIONS

Part Number	3736247	Door Swing Dimension	720mm
Capacity	1507L	Total Depth of door open	1300mm
Temperature Range	+2 to +8°C	Door Shape	Flat
Max. Ambient Temp.	38°C	Self-Closing Door	Yes
Refrigeration Capacity	1132W	Door Lock	Yes
Energy Consumption	11.96kWh/24h	No. of Doors	3
Current	7.0A	Temp. Controller	Digital
Gross Weight	209kg	Castors	Yes
Packaged Dimensions	1950 x 820 x 2130 mm	No. of Shelves Incl. Base Per Door	6
Air-Circulation	Fan Forced	Shelves Dimensions	546 x 475 mm
Drainage Points	No Drainage Required	Colour	White with S/Steel Trim
Refrigerant	R134a	Warranty	1 Year, Parts & Labour
Plug Supplied	Yes, 1 x 10A	Warranty Service	Bromic Extra Care
Plug Location	Top right		
Display Light Box	Yes		
Internal Light	LED		
Door Type	Double glazed safety glass door		

DIMENSIONS

External (mm)	
Width	1880
Depth	760
Height	2060
Internal (mm)	
Width	1755
Depth	550
Height	1420

BROMIC PTY Ltd reserve the right to alter specifications without notice.

GD1500LF | Flat Glass Door 1507L LED Display Chillers

Vertical Displays & Storage

