



ASIAN COOKING RANGES, WOKS

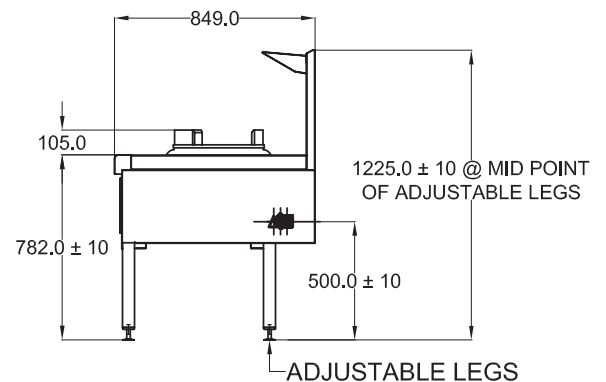
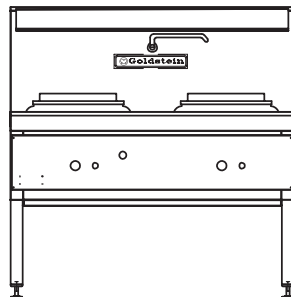
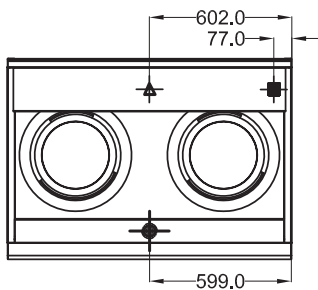
CWA2 - Gas

- Air cooled decks for maximum water efficiency – saves 90% of water usage
- Fresh water swivel spout with tap
- Manually operated water control tap
- All stainless steel construction
- Heavy duty dual ringed burner
- Heavy duty duckbill burner

Other options

Front or rear drain trough

Any combination of burners arrangement – Double ring, Mongolian or Duckbill burners



CWA2

SPECIFICATIONS

Dimensions (WxDxH)	1200 x 850 x 1225 mm
Working height	900 mm
Wok size (diameter)	2x 356 mm
Wok type	Dual Ring / Mongolian / Duckbill

Gas Connection	1" BSP
Rating	Dual Ring 108 Mj Mongolian 180 Mj Duckbill 240 Mj
Weight	150 kg
Packed	1.3 m ³

- 1" BSP Gas Inlet
- 1/2" BSP Water Inlet
- 1 1/2" Waste Drain

Australia's premier food service equipment manufacturer

goldstein.com.au

211-217 Woodpark Road, Smithfield NSW 2164
1800 013 123 | +61 2 9604 7333

 **MIDDLEBY AUSTRALIA**

