



800 SERIES GRIDDLE PLATE

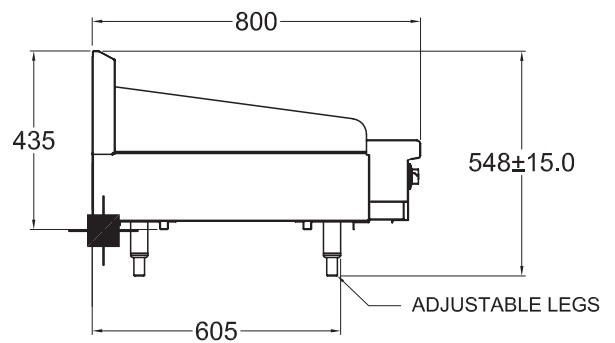
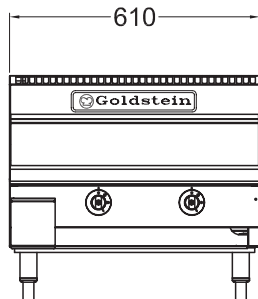
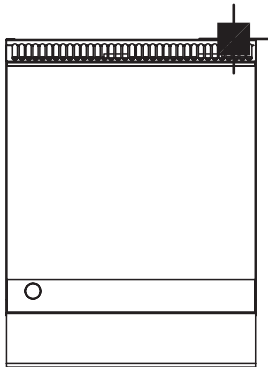
20 mm plate

GPGDB24 - Gas

- 20 mm thick Mild Steel Plate maximizes greater heat retention for consistent cooking
- Front grease trough, generous chute and catcher
- Stainless Steel fascia and sides, spill zone and grease can for ease of cleaning

Other options

Machined steel or ribbed plates



GPGDB24

SPECIFICATIONS

Dimensions (WxDxH)	610 x 800 x 550 mm
Plate size (WxDxH)	610 x 520 x 20 mm
Gas connection	3/4" BSP

3/4" BSP Gas Connection

Rating	40 Mj
Weight	110 kg
Packed	0.3 m ³

Australia's premier food service
equipment manufacturer

goldstein.com.au

211-217 Woodpark Road, Smithfield NSW 2164
1800 013 123 | +61 2 9604 7333

 **MIDDLEBY AUSTRALIA**

