



800 SERIES RANGES

500 mm Gas Oven

PF24G20 – Gas

- High performance, even heat 24 Mj cooktop burners for peak productivity
- Constant pilot flame as standard, maximises operating and energy efficiency
- Pilot flame failure on open burners, flame failure to oven burner
- Heavy duty removable, easy clean cast iron trivets
- Stainless steel fascia and sides, spill zone and drip trays for ease of cleaning
- Flexible modular cooktop design enables many combinations of Burners, Griddle and BBQ
- Static gas oven in gastronorm compatible sizes
- Ovens are fully insulated vitreous enamel for even heat and easy cleaning
- Heavy duty welded steel body for rigidity and durability

Other options

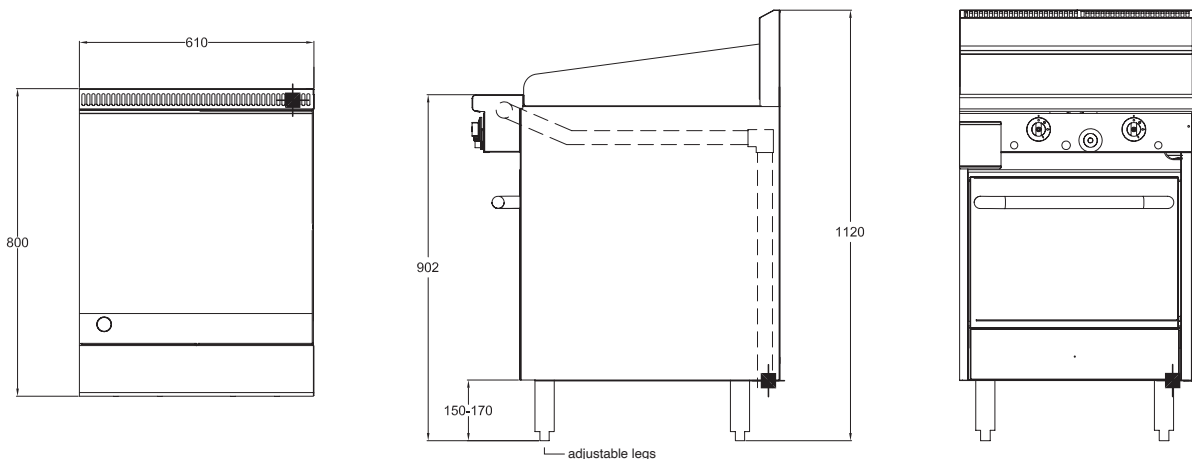
Gas fan forced oven

Electric or electric fan forced oven with gas cooktop

Glass door to oven

Castors

Drop-on Griddle, Drop-on Char Grill



PF24G20 oven & griddle options

SPECIFICATIONS

Dimensions (WxDxH)	610 x 800 x 1120 mm
Working height	914 mm
Oven Size (WxDxH)	500 x 560 x 355 mm
Griddle Size (WxH)	610 x 20 mm

Weight	180 kg
Packed	0.7 m ³
Gas Connection	3/4" BSP
Rating	60 MJ

3/4" BSP Gas Connection

Australia's premier food service equipment manufacturer

goldstein.com.au

211-217 Woodpark Road, Smithfield NSW 2164
1800 013 123 | +61 2 9604 7333

MIDDLEBY AUSTRALIA

