

Technical data sheet for  
**GAS GRIDDLE ELECTRIC STATIC  
 OVEN RANGE 900mm**  
 GPE506

- Heavy-duty thermostatic gas griddle
- 20mm thick griddle plate
- Ribbed plate options
- Mirror chromed plate options
- Top weld sealed plates
- 80MJ thermostatic griddle burner system
- Separate left and right heat zones
- GN 2/1 6.5kW electric static oven
- Drop down door
- Rear rollers
- Stainless steel exterior
- Easy clean
- Easy service
- Fully modular



GPE506

**Overall Construction**

- Galvanized steel chassis
- Welded hob surround with 1.5mm 304 stainless steel bull nose
- Hob sides 1.2mm 304 stainless steel
- Splashback 1.2mm 304 stainless steel
- Front panels and oven sides 0.9mm 304 stainless steel
- Vitreous enamelled hob control panel
- 63mm dia. heavy-duty 1.2mm 304 stainless steel adjustable legs at front and two rollers at rear

**Griddle**

- 20mm thick machined top plates standard
- Optional ribbed plate sections
- Optional mirror finish hard chrome plates
- 2.5mm thick 304 stainless steel splash guards sides and rear
- 2.5mm thick grease channel
- Two 40MJ 3 bar even heat burners with dual thermostatic controls
- Full pilot and flame failure protection with piezo ignition
- Stainless steel grease drawer
- Overlapping finish at front and rear of plate for easy clean

**Oven**

- Fully welded and vitreous enamelled oven liner
- GN 2/1 capacity with 4 position racking
- Heavy-duty easy remove heavy wire chrome rack supports
- Cast iron even heat oven sole plate
- 6.5kW heating elements
- Drop down door
- 0.9mm 304 stainless steel door outer
- 1.0mm vitreous enamelled door inner
- High density fibreglass insulated
- Supplied with two chrome wire oven racks

**Controls**

- Large easy use control knobs - heat resistant reinforced
- Easy view control settings on knobs

**Griddle**

- Separate left and right side heat zones
- Two 90-300°C thermostats
- Flame failure pilot burners
- Piezo ignition to each pilot burner
- Over-temperature safety cut-outs

**Oven**

- Separate temperature and top heat power regulation controls
- 50-320°C thermostatic control
- Lo-Hi top heat control
- Indicator lights for power and heating

**Cleaning and Servicing**

- All models with easy clean stainless steel external finish
- Plate is finished front and rear with overlap construction to remove cleaning traps
- Control service and gas conversion through front of unit
- Burner service requires plate removal
- Removable oven racking and sole plate
- Easy clean vitreous enamel oven and door inner
- Access to all parts from front of unit

# Technical data sheet for GAS GRIDDLE ELECTRIC STATIC OVEN RANGE 900mm

## Specifications

### Burners – Griddle

Two 40MJ 3 bar chromed steel burners  
Individual pilot, flame failure and piezo ignition

### Elements – Oven

4.5kW bottom heat element  
2.0kW top heat element

### Gas power

80MJ/hr, 22.2kW

### Electrical requirements

6.5kW

### 1 phase connection:

230-240Vac, 50/60hz, 1P+N+E, 27A

### 3 phase connection:

400-415Vac, 50/60hz, 3P+N+E

L1 9.4A

L2 9.4A

L3 8.3A

### Plate

Cooking surface 892mm x 530mm, 4728cm<sup>2</sup>

### Oven Dimensions

Width 665mm

Depth 590mm

Height 385mm

Rack size 660mm x 540mm

Rack positions 4

### Gas connection

R 3/4 (BSP) male

Optional underside connection, please specify  
when ordering

All units supplied with Natural and LP gas  
regulator

### Dimensions

Width 900mm

Depth 812mm

Height 915mm

Incl. splashback 1085mm

### Nett weight

153kg

### Packing data

1.03m<sup>3</sup>, 218kg

Width 945mm

Depth 870mm

Height 1255mm

### Gas types

Available in Natural gas and LP gas, please specify  
when ordering

Units supplied complete with gas type  
conversion kits

Other gas types on request

### Options

Adjustable feet at rear

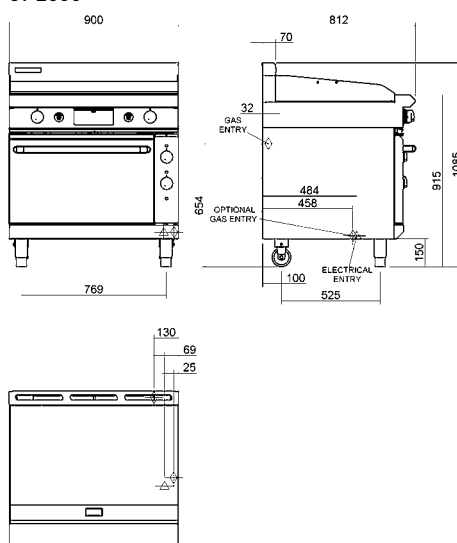
Joining caps

Castors

Ribbed plate options

Mirror chromed plate options

GPE506



**MOFFAT®**

Australia  
www.moffat.com.au  
New Zealand  
www.moffat.co.nz

www.bluesealevolution.com

Australia  
Moffat Pty Limited

Victoria/Tasmania  
740 Springvale Road  
Mulgrave, Victoria 3170  
Telephone 03-9518 3888  
Facsimile 03-9518 3833  
vsales@moffat.com.au

New South Wales  
Telephone 02-8833 4111  
nswsales@moffat.com.au

South Australia  
Telephone 03-9518 3888  
vsales@moffat.com.au

Queensland  
Telephone 07-3630 8600  
qldsales@moffat.com.au

Western Australia  
Telephone 08-9202 6820  
bgarcia@moffat.com.au

New Zealand  
Moffat Limited

Christchurch  
16 Osborne Street  
Christchurch 8011  
Telephone 03-389 1007  
Facsimile 03-389 1276  
sales@moffat.co.nz

Auckland  
Telephone 09-574 3150  
sales@moffat.co.nz



ISO9001  
Quality  
Management  
Standard

Designed and manufactured by

**MOFFAT®**

ISO9001

All Blue Seal products are  
designed and manufactured by  
Moffat using the internationally  
recognised ISO9001 quality  
management system, covering  
design, manufacture and final  
inspection, ensuring consistent  
high quality at all times.



AGA Cert 7088

In line with policy to continually  
develop and improve its products,  
Moffat Limited reserves the right  
to change specifications and  
design without notice.

Printed in China  
© Copyright Moffat Ltd  
Moffat / 7.09 / 1140

