

KEY FEATURES

- Heavy duty mild steel plate assists with heat retention & even cooking.
- Option of machined steel, ribbed or stainless steel cooking plates.
- Front grease trough, generous chute and catcher.
- Stainless steel fascia and sides, spill zone and drip trays for ease of cleaning.
- 12 months parts & labour warranty.
- 10 year parts availability guarantee.
- Australian born & bred.



GPGDBSA-24



GPG-30

MODELS

GRIDDLE / TOASTERS

GPGDBSA-24

GPGDBSA-36

BENCH GRIDDLES

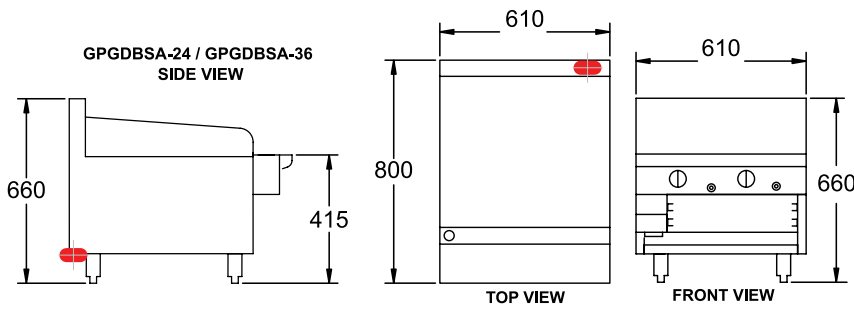
GPG-30

GPG-45



GPG-45

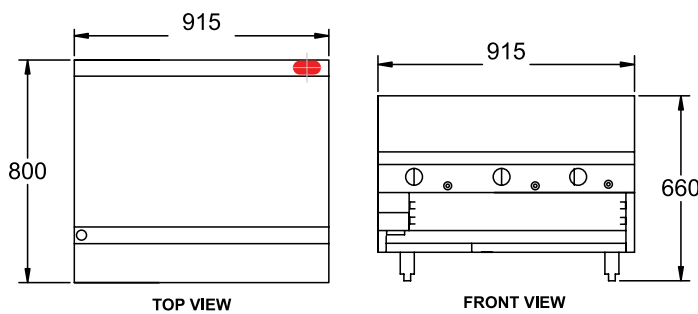
GPGDBSA-24



MODEL: GPGDBSA-24 Specifications:

Dimensions (WxDxH):	610 x 800 x 660 mm
Working Height:	415 mm
Plate Size (WxDxH):	610 x 520 x 12 mm
Gas Connection:	
Rating:	54 Mj
Weight:	165 kg
Packed:	0.3 m ³

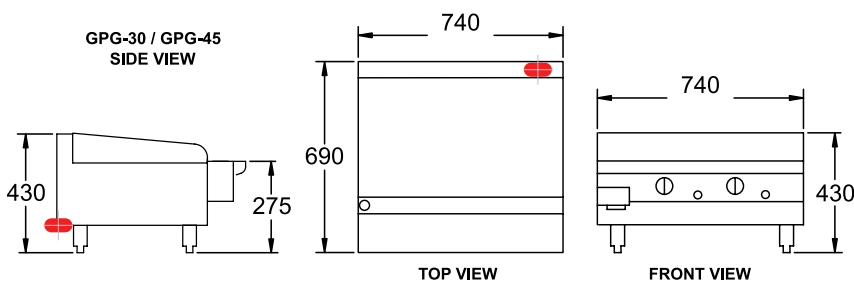
GPGDBSA-36



MODEL: GPGDBSA-36 Specifications:

Dimensions (WxDxH):	915 x 800 x 660 mm
Working Height:	460 mm
Plate Size (WxDxH):	915 x 520 x 12 mm
Gas Connection:	
Rating:	72 Mj
Weight:	190 kg
Packed:	0.5 m ³

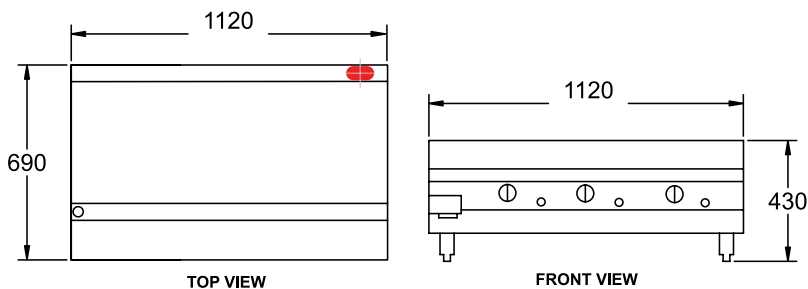
GPG-30



MODEL: GPG-30 Specifications:

Dimensions (WxDxH):	740 x 690 x 430 mm
Working Height:	275 mm
Plate Size (WxDxH):	740 x 445 x 20 mm
Plate Type:	Smooth Mild Steel
Gas Connection:	
Rating:	52 Mj
Weight:	164 kg
Packed:	0.2 m ³

GPG-45



MODEL: GPG-45 Specifications:

Dimensions (WxDxH):	1120 x 690 x 430 mm
Working Height:	275 mm
Plate Size (WxDxH):	1120 x 445 x 20 mm
Plate Type:	Smooth Mild Steel
Gas Connection:	
Rating:	78 Mj
Weight:	185 kg
Packed:	0.3 m ³

 GAS INLET 3/4" BSP

Goldstein Eswood continually works on improving our products, so dimensions may change without notice. For any construction critical dimensions please check with us.

GOLDSTEIN ESWOOD
211 - 217 Woodpark Rd SMITHFIELD NSW 2164
T: 1800 013 123 F: 02 96045420
E: sales@goldsteineswood.com.au

