

Technical data sheet for

VEE RAY SINGLE PAN GAS FRYER 450mm

GT45E

- High performance single pan fryer
- Patented infra-red burner system
- Digital display temperature control with 3 product timers
- Easy clean stainless steel open pan with 10 year limited warranty
- 20L oil capacity
- Large capacity cool zone
- 32mm (1 1/4") drain valve
- Rear rollers
- Stainless steel exterior
- Easy service
- Fully modular



GT45E

Overall Construction

- Stainless steel pan with 10 year limited warranty
- Bull nose welded 1.5mm 304 stainless steel
- Splashback 1.2mm 304 stainless steel
- Side panels 1.2mm 304 stainless steel
- Double skin door with 0.9mm 304 stainless exterior
- 32mm (1 1/4") drain valve
- 63mm dia. heavy-duty 1.2mm 304 stainless steel adjustable legs at front and two rollers at rear
- 2 baskets and stainless steel lid supplied standard

Controls

- Digital display electronic thermostat
- Thermostat range 88-193°C
- 3 programmable product timers with countdown display and alarms
- Straight or temperature compensating cook time control
- Heating and basket drop displays
- Programmable melt cycles
- Over-temperature safety cut-out
- Flame failure protection on each pilot
- Piezo ignition to standing pilot burners

Cleaning and Servicing

- Open stainless steel pan for easy clean
- Easy clean basket support bar
- 32mm (1 1/4") drain valve for effective draining
- Easy clean stainless steel exterior
- Access to all parts from front of unit

Technical data sheet for VEE RAY SINGLE PAN GAS FRYER 450mm

Specifications

Production rate
31kg/hr

Pan size
Oil capacity 20L (37lbs shortening)
Width 365mm
Length 380mm
Oil frying depth 95mm

Baskets
2 chrome plated wire baskets
140mm W x 335mm D x 145mm H
Stainless steel perforated basket support plate

Burners
2 x 45MJ/hr infra-red burners

Gas power
90MJ/hr, 25kW

Gas connection
R ³/₄ (BSP) male
Optional rear connection
(refer specification drawing)

Electrical connection
230-240 Vac, 1P+N+E, 50/60Hz, 0.5A
3 pin 10A plug cordset fitted

Dimensions
Width 450mm
Depth 812mm
Height 915mm
Incl. splashback 1085mm

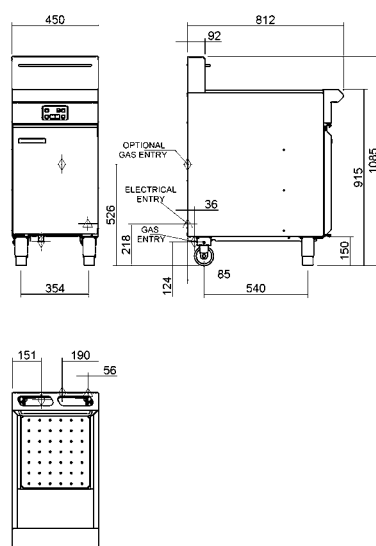
Nett weight
81kg

Packing data
0.54m³, 122kg
Width 870mm
Depth 495mm
Height 1255mm

Gas types
Available in Natural gas and LP gas, please specify when ordering
Units supplied complete with gas type conversion kits
Other gas types on request

Options
Adjustable feet at rear
Filtamax Filtration System
Fish plates
Extra baskets
Side splash guards
Joining caps
Castors

GT45E



MOFFAT®

Australia
www.moffat.com.au
New Zealand
www.moffat.co.nz

www.bluesealevolution.com

Australia
Moffat Pty Limited

Victoria/Tasmania
740 Springvale Road
Mulgrave, Victoria 3170
Telephone 03-9518 3888
Facsimile 03-9518 3833
vsales@moffat.com.au

New South Wales
Telephone 02-8833 4111
nswsales@moffat.com.au

South Australia
Telephone 03-9518 3888
vsales@moffat.com.au

Queensland
Telephone 07-3630 8600
qldsales@moffat.com.au

Western Australia
Telephone 08-9202 6820
bgarcia@moffat.com.au

New Zealand
Moffat Limited

Christchurch
16 Osborne Street
Christchurch 8011
Telephone 03-389 1007
Facsimile 03-389 1276
sales@moffat.co.nz

Auckland
Telephone 09-574 3150
sales@moffat.co.nz



Designed and manufactured by

MOFFAT®

ISO9001

All Blue Seal products are designed and manufactured by Moffat using the internationally recognised ISO9001 quality management system, covering design, manufacture and final inspection, ensuring consistent high quality at all times.



In line with policy to continually develop and improve its products, Moffat Limited reserves the right to change specifications and design without notice.

Printed in China
© Copyright Moffat Ltd
Moffat / 7.09 / 1140



BLUE SEAL EVOLUTION SERIES®

VEERAY®