

Hand Wash Basin

Stoddart Manufacturing designed and introduced the easy mount single piece bracket on the Hand Wash Basin to make Stoddart the first choice for strength and easy installation.

Stoddart Manufacturing used a large, deep drawn, recessed bowl to reduce splashing and spillage. The bowl has a sizeable front fascia to provide better aesthetics and rigidity.

Models:

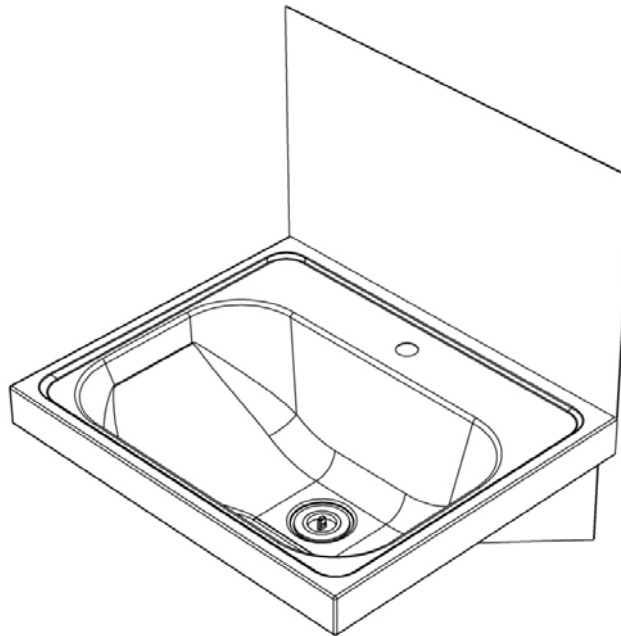
SPPL.WB.H1.300.xx

Code explanation:

SPPL	= Standard Product Plumbing
WB	= Wash Basin
H1	= Hand Wash Basin
300	= 300mm splashback
xx	= SS – Stainless steel mounting bracket = TV – Tempering valve = TMV – Thermostatic Mixing Valve = GT – Galvin Easy Push (all optional)

e.g.: for specification and ordering

SPPL.WB.H1.300



Features and Benefits:

- Large and deep bowl with recessed inner bowl provides extra capacity and minimises splashing.
- Sturdy stainless steel construction for life-long service in public amenities and schools.
- Suitable for use where disabled access is required.
- Easy mount single piece bracket has multiple fixing holes for quick installation by plumber.
- Bracket is galvanised steel standard. Stainless option can be ordered for kitchens.
- Optional Galvin easy-push, timed flow button (GE-CP # 368969) can be ordered with unit.
- Approved design for use in government schools.
- Complies with AS 1428.1-2001 for disabled access.





Hand Wash Basin

Specifications:

- Construction: Fully welded seamless 1.2mm 304 grade stainless steel construction, no 4 brushed finish.
- Water Supply: 15mm to suit tap ware.
- Waste Connection: 40mm, supplied. Plastic plug supplied.
- Unit Fixing: Unit is supplied with wall mounting bracket with 10mm fixing holes.
- Disabled Fixing Height: The unit can be mounted at 770-800mm above finished floor level for disabled use.

Models:

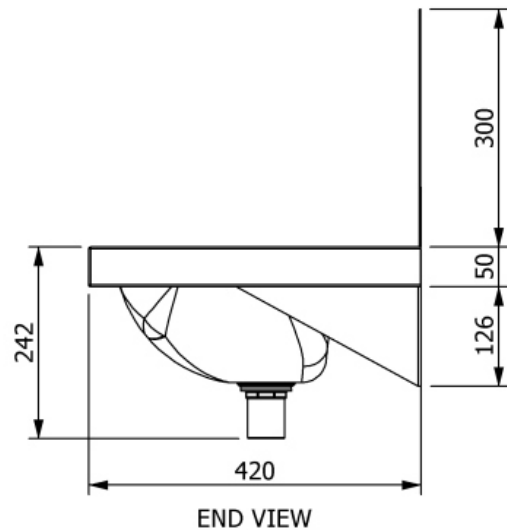
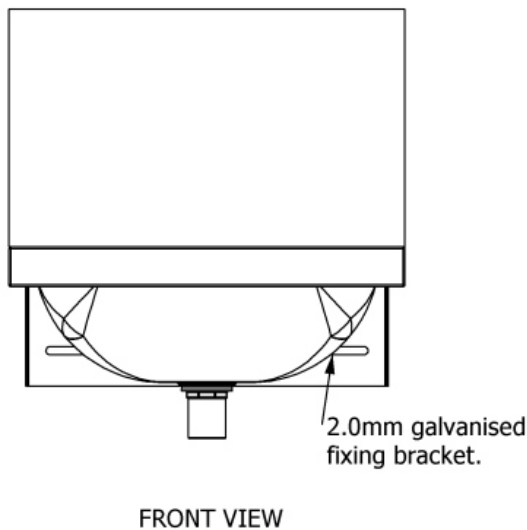
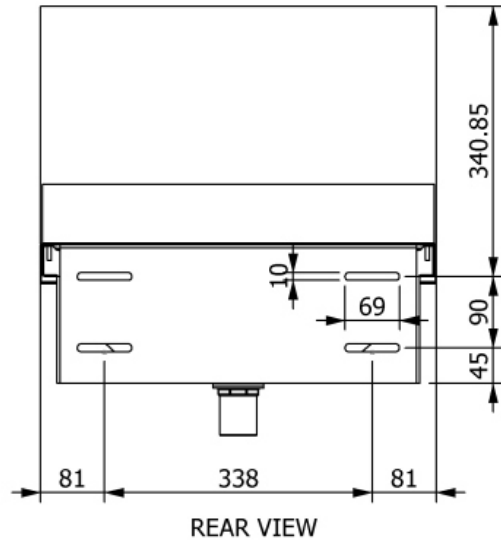
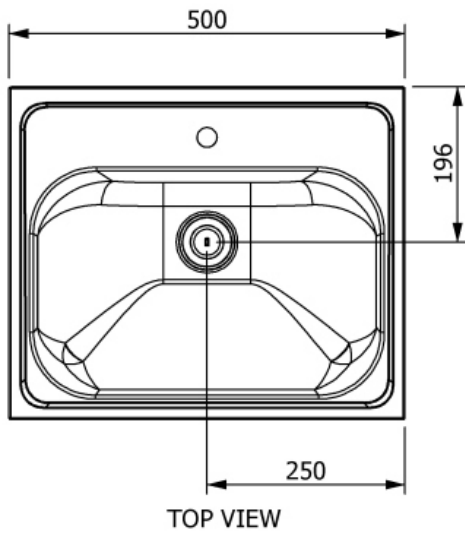
SPPL.WB.H1.300.xx

Code explanation:

- SPPL = Standard Product Plumbing
- WB = Wash Basin
- H1 = Hand Wash Basin
- 300 = 300mm splashback
- xx = SS – Stainless steel mounting bracket
= TV – Tempering valve
= TMV – Thermostatic Mixing Valve
= GT – Galvin Easy Push (all optional)

e.g.: for specification and ordering

SPPL.WB.H1.300



Model No.	Length (mm)	Width (mm)	Height (mm)
SPPL.WB.H1.300.xx	500	420	476

Due to continuous product research and development, the information contained herein is subject to change without notification.