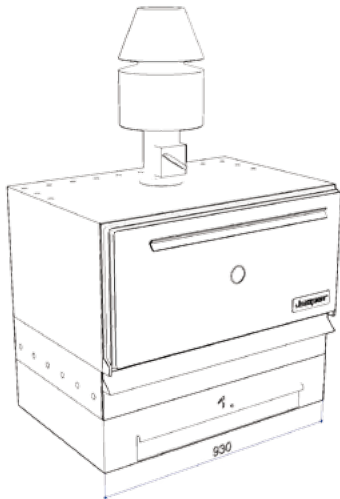
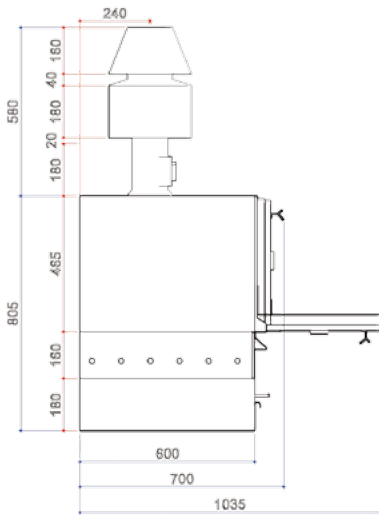




Charcoal Oven HJX45M



TECHNICAL INFORMATION

Fire up time ¹	35 min average	35 min average
Josper charcoal daily consumption	12 to 16 kg average	26.5 lb to 35 lb average
Performance	9 h	9 h
Production per hour ²	90 kg average	198 lb average
Cooking temperature	300 °C to 350 °C	572 °F to 662 °F
Oven capacity in GN trays (per grill rack)	2 x GN 1/1	2 x GN 1/1
Power equivalence	4.5 kW	6 hp
Exhaust rate ³	3200 m ³ /h	1883 cfm
Maximum smoke flow	10.5 g/s	0.37oz/s

INSTALLATION

Recommended installation height	550 mm	from floor level	22 in	from floor level
Clearance with other cooking equipment	100 mm		4 in	

BUNDLES: SIZES AND WEIGHTS

Sizes bundle 1	1010 x 750 x 960 mm	39,8 x 29,5 x 37,8 in
Gross weight bundle 1	250 kg	551 lb

INCLUDED ACCESSORIES

Smoke outlet vent
One cooking grill rack
Charcoal grates
Josper tongs
Bristle brush
Poker
Ash hatch and handle
Ash pan

OPTIONAL ACCESSORIES

Extra cooking grill rack
Firebreak
Firebreak's hat
Cookware⁴
Tray support
Below cabinet

- 1 Please, check our document titled "Fire up and use of the Josper oven".
- 2 Please, check our "Cookbook".
- 3 Please, check our document titled "Installation advices of the Josper oven".
- 4 Please, see our wide range of cookware in our website. [SEE MORE](#)

Ovens' sizes and weights are to be considered with the standard accessories and packing.

A continual improvement process may require us to change specifications without any notice.

Revised June 2012.