

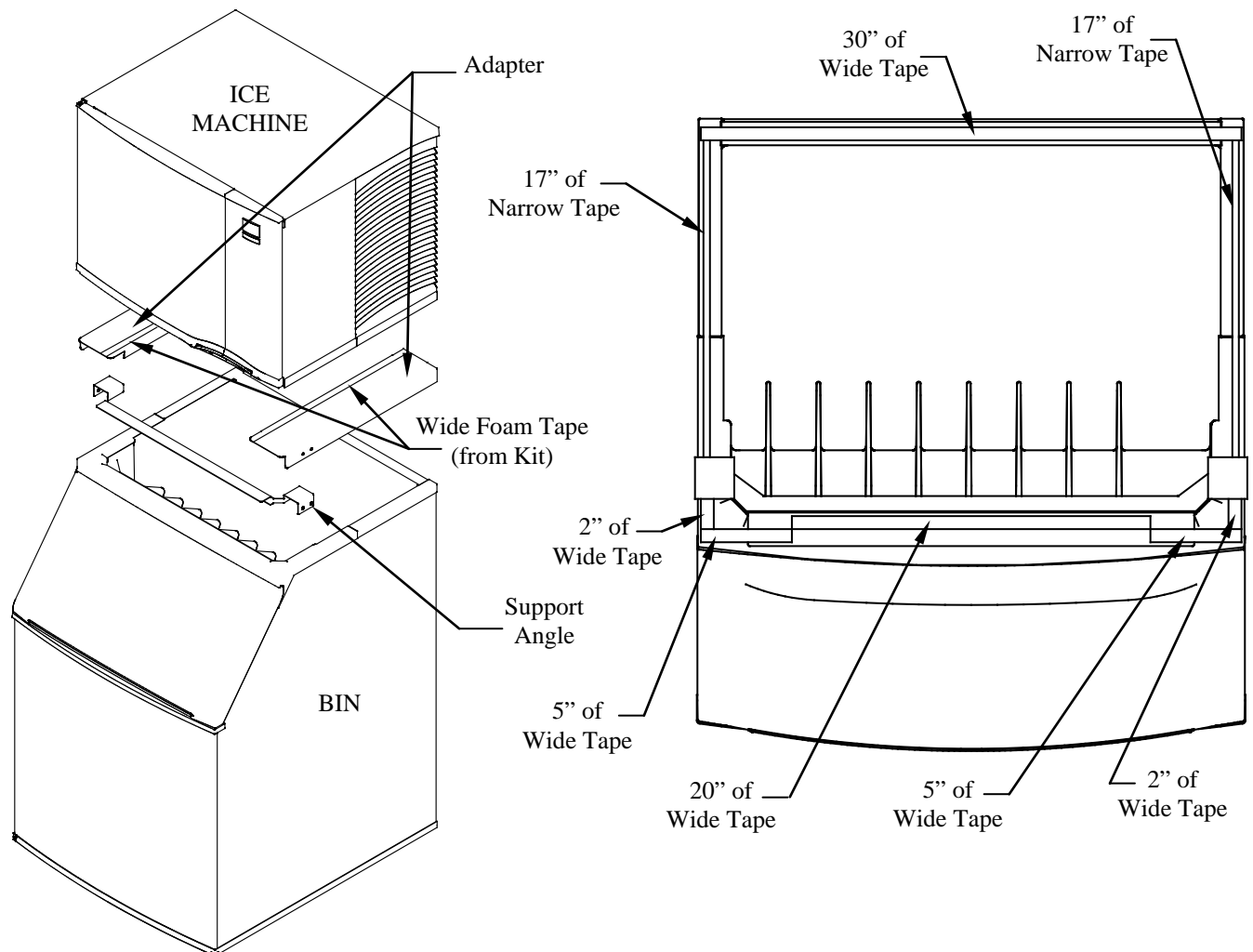


Manitowoc

K00365 ADAPTER KIT

Installation Instructions

1. The K00365 kit is used for installing a Q-0320, Q-0370, Q-0420, S-0322, S-0422 ice machine or a QC/QF flaker on a B or S-Series 30" (76cm) wide bin or a Q-Series 30" (76cm) wide dispenser.
2. Installation (bin or dispenser must be level before starting):
 - A. Remove existing foam tape from top of bin or dispenser. When installing a K00365 on a Manitowoc dispenser, remove the gray side trim pieces on the top sides of the dispenser.
 - B. Place support angle on bin or dispenser, as shown, prior to adapter installation. Locate foam tape from kit in the positions on top of bin, as shown. Note locations of narrow and wide tape.
 - C. Place adapters on bin or dispenser, as shown. Make sure the two holes from the support angle and adapters are aligned on the side.
 - D. Using the adapters as templates, drill three 5/32" (4mm) holes, .500" (12.7mm) deep maximum, in bin or dispenser. **Warning: Do not drill through interior liner.** Attach with 10-24 x .500" screws provided.
 - E. Apply foam tape to the edge of the adapters. Note: It is recommended to RTV intersections and along front inside edge of foam tape (see drawing) to prevent water tracking.
3. Refer to ice machine installation manual for ice machine installation procedures.



Manitowoc Ice, Inc.

2110 South 26th Street, P.O. Box 1720, Manitowoc, WI 54221-1720 USA

Telephone 920-682-0161, Fax - Sales: 920-683-7589, Service/Parts: 920-683-7585, Other: 920-683-7879

Web Site - www.manitowocice.com

8016093

07/20/04