



# Turbo air

## NSW & VIC Rebate Eligible

### TOP MOUNT SOLID DOOR

**FREEZER**

**MODEL : KF65-3(HC) / KF65-3-N**

#### FEATURES / BENEFITS

##### ■ Digital temperature control & monitor system

Keep food products safe by maintaining constant temperatures. External digital display allows for easy monitoring.

##### ■ Hydrocarbon(HC) refrigerants (R-290)

With innovative and eco-friendly technology, Turbo Air brings you hydrocarbon refrigerators designed to meet DOE's Energy Conservation Standards in 2017 and to use EPA's SNAP Program approved HC refrigerants. Hydrocarbon refrigerants do not deplete the ozone layer and have very low affect to global warming (ODP-0, GWP-3).

##### ■ Hot Gas Condensate System

Through Turbo Air's creative innovation, the condensate system surfaces have been specially treated to resist corrosion. This not only increases efficiency without the risk of refrigerant leaking from corrosion, but also prevents the overflow of condensate water.

##### ■ Self Cleaning Condenser Only at Turbo Air

The accumulation of dust in the condenser causes the failure or breakdown of refrigerators. Refrigerators run normally until they reach a certain level of accumulation. When the dust accumulation is too much, their performance drops quickly resulting in possible spoiling of the contents. The self cleaning condenser keeps the condenser clean and prevents performance system failure by automatically brushing periodically.

##### ■ Exterior & interior of the cabinet

The Turbo Air K-series boasts a stainless steel exterior (galvanized steel back and bottom). Interior is stainless steel floor with AL sides, back and AL door liners. It guarantees the utmost in cleanliness and long product life. The K-series adds a touch of style to the most refined setting.

##### ■ High-density polyurethane insulation

The entire cabinet structure and solid doors are foamed-in-place using high density, CFC free polyurethane insulation.

##### ■ Ergonomically designed doors

Customers' fatigue fades away with easy grip handles and doors that open effortlessly. These features along with self-closing doors make this the ultimate choice in customer convenience.

##### Adjustable, heavy duty, PE (polyethylene) coated wire shelves

##### ■ Standard features

- Anti-corrosion coated evaporator
- Self-contained system
- Standard 125mm. swivel castors with locks on the front set
- Door locks standard

**NATURAL Refrigerant**

**Self-Cleaning Condenser**



**NO MAINTENANCE REQUIRED**



##### LED interior lighting & fan control (only at Turbo Air)

Energy efficient LED lighting lights every corner, making items easy to find. Fan control function automatically shuts off the fan when the door is open, which prevents hot air from being drawn in, thus maintaining the cool inner temperature.

##### Optional features

- 125mm castors fitted
- 180mm, 105mm, 80mm castors optional
- Adjustable legs 100-155mm, 70-90mm

REFRIGERATOR MANUFACTURER  
**Turbo air**

**Best Value Commercial Refrigerator**

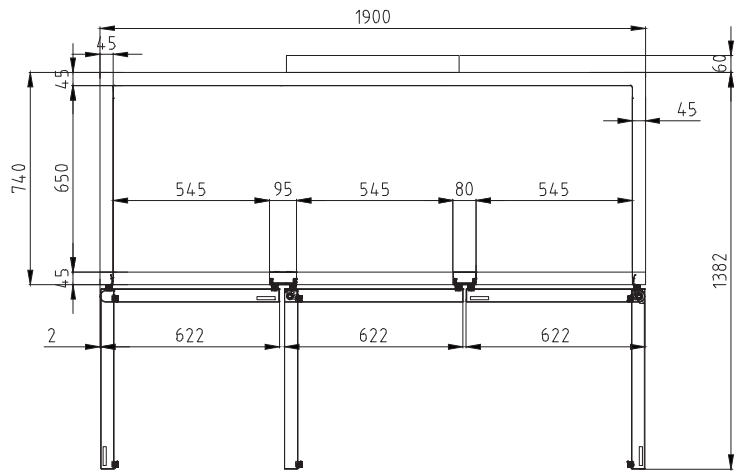
# TOP MOUNT SOLID DOOR

**FREEZER**  
**MODEL : KF65-3(HC) / KF65-3-N**

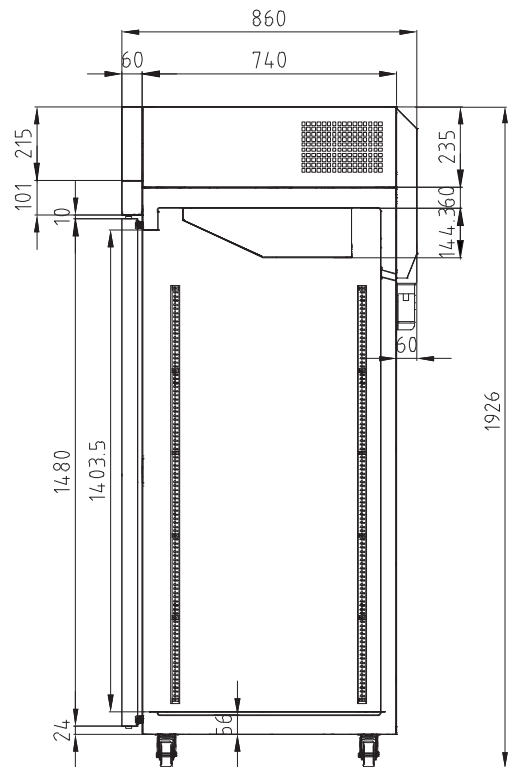
Model	KF65-3-N(HC)
Refrigerant	R-290
POWER INPUT(W)	750
COMP (HP)	1/2HP
Energy consumption KW/24H	12.82
AMPS(A)	4.5
Capacity (ℓ)	1876
Product Dimension W (mm)	1900
Product Dimension D (mm)	860
Product Dimension H (mm)	1926
Weight (Kg)	167
Stainless steel	SUS 439 & SUS 430
Applied castors	105mm
Max GN Pan depth	N/A
GN Pan	N/A
Door lock	yes
Adjustable Shelves	9
LED light	Yes
Temperature range	-21°C~-12°C
Ambient temperature	35°C
Drainage / Forced Evaporation Type	Yes
Temperature control type	Digital control
Cooling type	FAN COOLING
Glass Type (Low-e / Heater / How many layer of the glass)	N/A
<b>Features</b>	Self Cleaning Condensor Energy efficient
Design and specifications subject to change without notice. Actual Shipping weight may differ due to extra packing materials for product protection.	

## PLAN VIEW

(unit : mm)



## TOP VIEW



## SIDE VIEW

**WARRANTY 3 YEARS**  
PARTS & LABOUR



## AUSTRALIA BRANCH

TURBO AIR PTY LTD  
[www.turboairinc.com.au](http://www.turboairinc.com.au)  
1st Floor, Building E  
10 Highgate St, Auburn  
NSW 2144 Australia  
T. 02 9737 9881

**Turbo air**

email : [TA.admin@turboairinc.com.au](mailto:TA.admin@turboairinc.com.au)