



Austune Commercial Pty Ltd  
 Unit 1, 79-85 Mars Road  
 Lane Cove West NSW 2066  
 Tel: (02) 9420 4477  
 www.austunecommercial.com

**UNDER COUNTER DRAWER** **FREEZER**  
**MODEL : KUF12-3D-6**

**OPTION**  
 2 Drawer Available



- Drawer pans not included.

**FEATURES / BENEFITS**

■ **STAINLESS STEEL CABINET CONSTRUCTION**

The Turbo Air K series model boasts a stainless steel interior and exterior (galvanized steel back & bottom). It guarantees the utmost in cleanliness and long product life. The K series can add a touch of style to the most refined setting.

■ **STURDY, CLEAN STAINLESS STEEL SHELVING**

Shelves are the most important part of cleanliness as they come in direct contact with food. After a while, PVC coated wire shelves may peel, rust and lead to unsanitary conditions. Only the Turbo Air K series uniquely provides stainless steel shelving.

■ **DURABLE STAINLESS STEEL DRAWERS**

Drawers are easy to clean and assemble and each drawer can support up to weight of 60kg.

■ **HOT GAS CONDENSATE SYSTEM**

Through Turbo Air's creative innovation, the condensate system surfaces have been specially treated to resist corrosion. This not only increases efficiency without the risk of refrigerant leakage from corrosion, but also prevents the overflow of condensate water.

■ **EFFICIENT REFRIGERATION SYSTEM**

Turbo Air's solid door freezers are designed with oversized and balanced refrigeration systems. These include efficient evaporators and condensers for faster freezing and greater efficiency.

■ **ERGONOMICALLY DESIGNED DOORS & DRAWERS**

Customers' fatigue fades away with easy door grip and drawers that open effortlessly. These features along with self-closing doors make this the ultimate choice in customer convenience. ABS sheet door liners resist water condensation with thermal efficiency.

■ **MAGNETIC DOOR GASKETS**

Magnetic door gaskets are of one piece construction, removable without tools for ease of cleaning and replacement.

■ **HIGH-DENSITY POLYURETHANE INSULATION**

The entire cabinet structure and solid doors are foamed-in-place using high density, CFC free polyurethane insulation.

| Model      | Swing Door | Capacity (litres) | #of Shelves | HP  | AMPS | Crated Weight (kg) | W x D x H (mm)   |
|------------|------------|-------------------|-------------|-----|------|--------------------|------------------|
| KUF12-3D-6 | 0          | 311               | 0           | 1/3 | 3.3  | 106                | 1200 x 700 x 850 |

Ver.DEC.2015

[www.austunecommercial.com](http://www.austunecommercial.com)



# UNDER COUNTER DRAWER

FREEZER

MODEL : KUF12-3D-6

## Model : KUF12-3D-6

| SPEC SHEET                   | KUF12-3D-6                             |
|------------------------------|--|
| Classification               | Freezer                                |
| Cabinet dimension (WxDxH mm) | 1200x700x850                           |
| Capacity (Liters)            | 311                                    |
| Inner Temperature            | -21°C ~ -12°C                          |
| Ambient Temperature          | 38°C                                   |
| Doors                        | 0                                      |
| # of shelves                 | 0                                      |
| Refrigerant                  | R-134a                                 |
| Compressor (HP)              | 1/3                                    |
| Cooling Type                 | Fan cooling type                       |
| Insulation Type              | Polyurethane/<br>Cyclopentane+CFC Free |
| Temperature Control Type     | Digital                                |
| Amps (A)                     | 3.3                                    |
| Voltage (V/Hz/Ph)            | 240V 50Hz 1Ph                          |
| Power (W)                    | 366                                    |
| Weight (Kg)                  | 106                                    |

Design and specifications subject to change without notice.  
Actual shipping weight may differ due to extra packing materials for product protection.

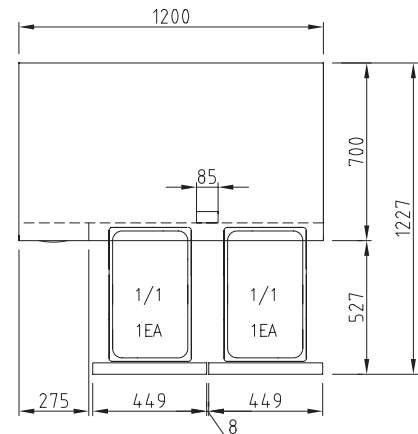
- DOOR LOCKS STANDARD
- INTERIOR LED LIGHTING STANDARD
- SELF-CONTAINED SYSTEM
- STANDARD 4" SWIVEL CASTERS WITH LOCKS ON THE FRONT SET
- TWO DRAWER TYPES AVAILABLE

**WARRANTY** **2 YEARS**  
PARTS & LABOUR

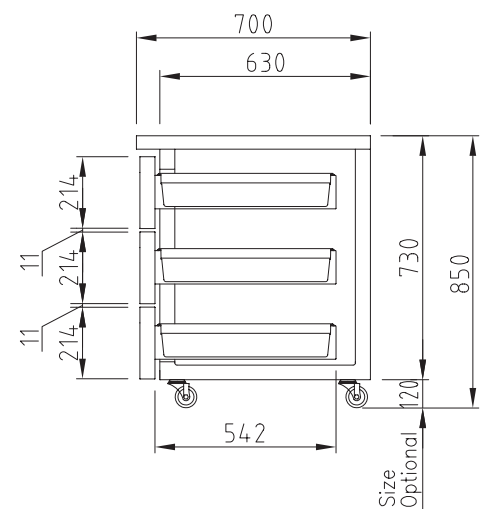
Ver.DEC.2015

## PLAN VIEW

(unit : mm)



PLAN VIEW



SIDE VIEW



Unit 1, 79-85 Mars Road, Lane Cove West NSW 2066  
Tel: (02) 9420 4477

[www.austunecommercial.com](http://www.austunecommercial.com)

REFRIGERATOR MANUFACTURER  
**Turbo air**

**Austune**  
1800 FRIDGE

