

**WARRANTY 3 YEARS**  
PARTS & LABOUR



**Turbo air**

**NSW & VIC Rebate Eligible**

## UNDER COUNTER DRAWER

Fridge

KUR12-2D-2-N/ KUR12-2D-2(HC)

### FEATURES / BENEFITS

#### Digital temperature control & monitor system

Keep food products safe by maintaining constant temperatures. External digital display allows for easy monitoring.

#### Hydrocarbon(HC) refrigerants (R-290)

With innovative and eco-friendly technology, Turbo Air brings you hydrocarbon refrigerators designed to meet DOE's Energy Conservation Standards in 2017 and to use EPA's SNAP Program approved HC refrigerants. Hydrocarbon refrigerants do not deplete the ozone layer and have very low affect to global warming (ODP-0, GWP-3).

#### Side mount compressor unit

With compressors positioned on the side of the unit, our refrigerators can now be serviced without being moved. Our innovative, front breathing feature also allows this model to be highly efficient in narrow spaces.

#### Exterior & interior of the cabinet

The Turbo Air K-series boasts a stainless steel exterior (galvanized steel back and bottom). Interior is stainless steel floor with AL sides, back and AL door liners. It guarantees the utmost in cleanliness and long product life. The K-series adds a touch of style to the most refined setting.

#### High-density polyurethane insulation

The entire cabinet structure and solid doors are foamed-in-place using high density, CFC free polyurethane insulation.

#### Hot gas condensate system

Through Turbo Air's creative innovation, the condensate system surfaces have been specially treated to resist corrosion. This not only increases efficiency without the risk of refrigerant leakage from corrosion, but also thoroughly prevents the overflow of condensate water.

#### Ergonomically designed doors

Customers' fatigue fades away with easy grip handles and doors that open effortlessly. These features along with self-closing doors make this the ultimate choice in customer convenience.

#### Adjustable, heavy duty, PE (polyethylene) coated wire shelves

#### Easy open front grille with condenser cleaning brush kit

Front grille cover is easily removable without any tools, which makes condenser cleaning easy and convenient at any time. Handy condenser cleaning brush is included inside the front grille cover.

#### Refrigerator holds 1°C ~ 8°C for the best in food preservation

#### Meat Function

The Meat function allows the compressor to run continuously for up to 2 hours. When activated, the temperature drops quickly. This is ideal when you put new stock and need to chill/freeze it quickly. Also for aging meat and fish to an ideal temperature.

**NATURAL Refrigerant**

Front Breathing



-GN PANS NOT INCLUDED



#### Fan control

Fan control function automatically shuts off the fan when the door is open, which prevents hot air from being drawn in, thus maintaining the cool inner temperature.

#### Standard features

- Anti-corrosion coated evaporator
- Self-contained system
- Standard 125mm. swivel castors with locks on the front set
- Door locks standard

#### Optional features

- 125mm castors fitted
- 180mm, 105mm, 80mm castors optional
- Adjustable legs 100-155mm

**Turbo air** REFRIGERATOR MANUFACTURER

■ WARRANTY: 3 Year Parts and Labour Warranty

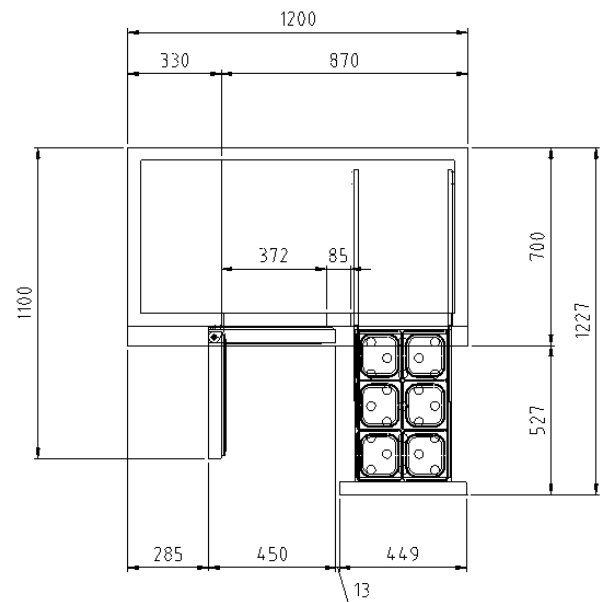
# UNDER COUNTER DRAWER

Fridge  
KUR12-2D-2-N/KUR12-2D-2(HC)

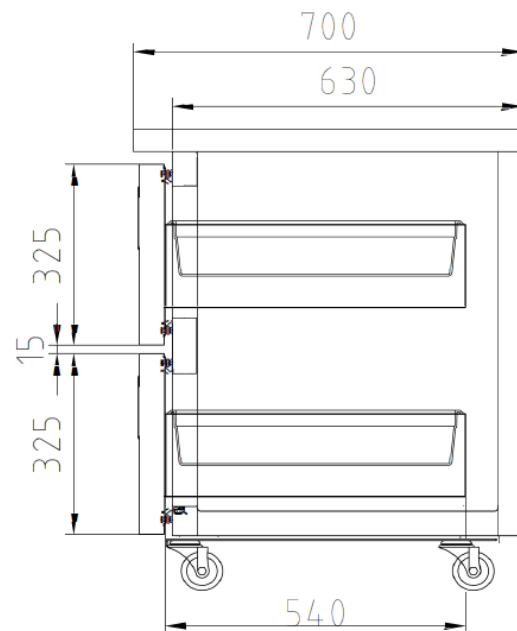
|   |                                       |
|---|---------------------------------------|
| Model   | KUR12-2D-2-N(HC)                      |
| Refrigerant   | R-290                                 |
| POWER INPUT(W)  | 280                                   |
| COMP (HP)   | 1/4HP                                 |
| Energy consumption KW/24H   | 1.47                                  |
| AMPS(A)   | 1.4                                   |
| Capacity (ℓ)  | 311                                   |
| Product Dimension W (mm)  | 1200                                  |
| Product Dimension D (mm)  | 700                                   |
| Product Dimension H (mm)  | 855                                   |
| Weight (Kg)   | 97                                    |
| Stainless steel   | SUS 439                               |
| Applied castors   | 125mm                                 |
| Max GN Pan depth  | 150mm                                 |
| GN Pan  | Not included                          |
| Door lock   | no                                    |
| Adjustable Shelves  | 0                                     |
| LED light   | No                                    |
| Temperature range   | 1°C~8°C                               |
| Ambient temperature   | 35°C                                  |
| Drainage / Forced Evaporation Type  | Sop paper                             |
| Temperature control type  | Digital control                       |
| Cooling type  | FAN COOLING                           |
| Glass Type<br>(Low-e / Heater / How many layer of the glass)  | N/A                                   |
| Features  | Easy filter cover<br>Energy efficient |
| <small>Design and specifications subject to change without notice.<br/>Actual Shipping weight may differ due to extra packing materials for product protection.</small> |                                       |

## PLAN VIEW

(unit : m)



## PLAN VIEW



## SIDE VIEW

**WARRANTY 3 YEARS**  
PARTS & LABOUR



## AUSTRALIA BRANCH

**Turbo air**

email : TA.admin@turboairinc.com.au

TURBO AIR PTY LTD  
[www.turboairinc.com.au](http://www.turboairinc.com.au)  
 1st Floor, Building E  
 10 Highgate St, Auburn  
 NSW 2144 Australia  
 T. 02 9737 9881