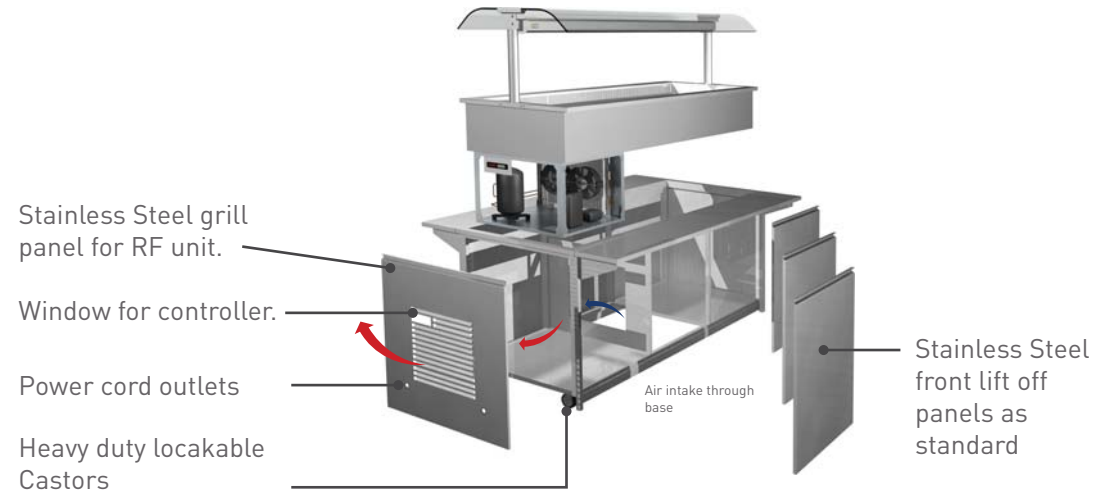


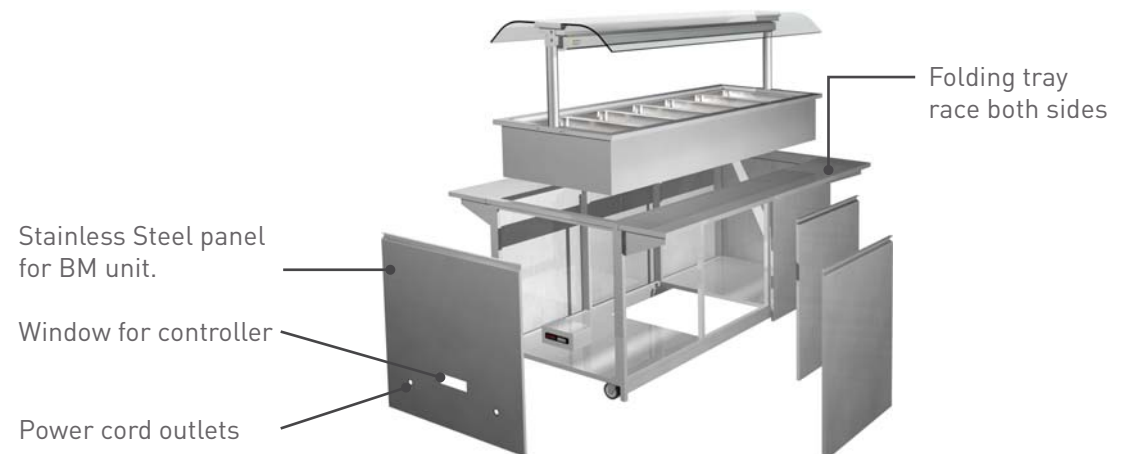
Cossiga Linear Mobile Trolley Unit

This mobile all stainless steel trolley accommodates LSBM or LSRF models.

The unit has easy lift off panels and fold down tray race for movement through tight spaces. The lift off panels can be replaced with melteca or formica. (supplied by others)



LSRF - Exploded



LSBM - Exploded

LSMT LINEAR SERIES TROLLEY

MOBILE TROLLEY UNIT

Mobile Trolley LSBM

As the LSBM trolley is mobile, you will need to consider how the units are filled and drained with water.

If you wish to run the unit dry Cossiga at time of commissioning will by-pass the float switch which activates the elements.

Cossiga will supply a 3000mm drain hose with LSBM units for ease of draining and a hose pipe to cossiga overflow waste bucket.

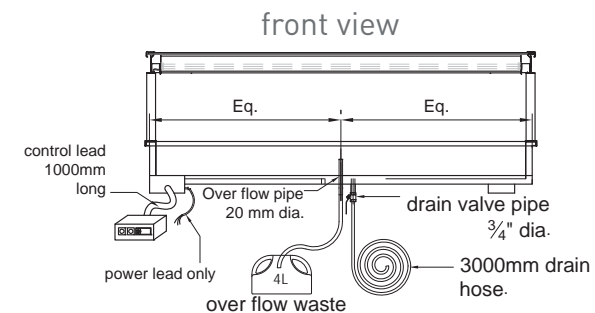
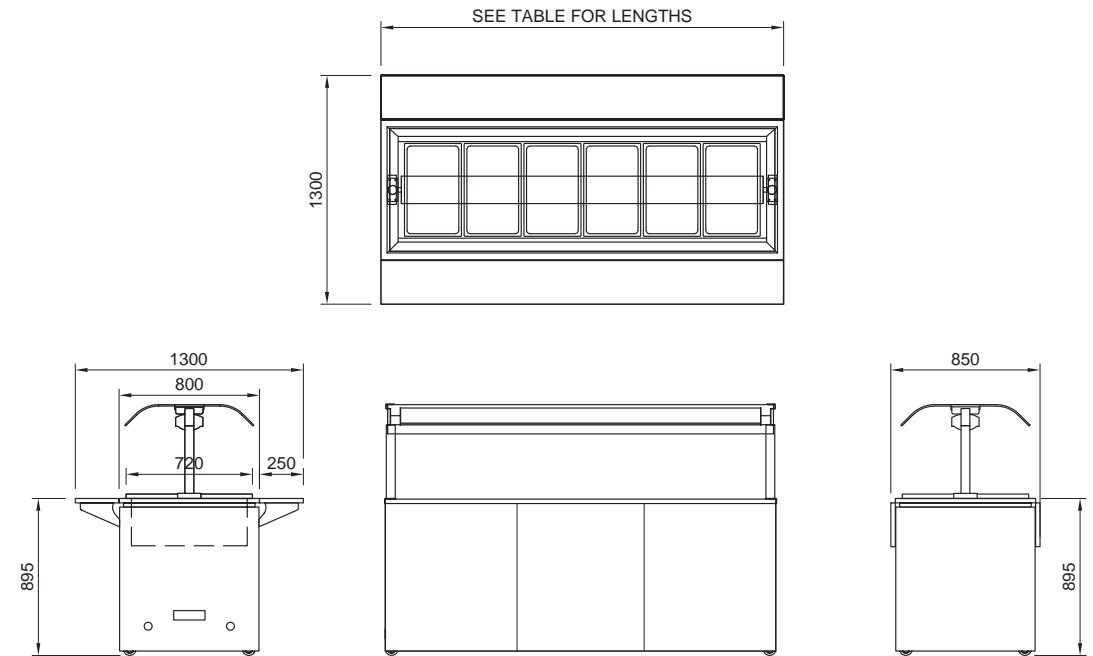
LSBM comes with lead only - plug supplied and fitted by others. Be cautious with power supply around wet areas.

LSRF comes with Cossiga condensate waste bucket.

An electric evaporator pan is available as an accessory. Allow for additional 10amp power socket.

UNIT SIZES

Model	Overall size			
	Length	Height	Width folded	Width race up
LSMT3	1245	895	850	1300
LSMT4	1595	895	850	1300
LSMT6	2295	895	850	1300



LSBM drainage detail