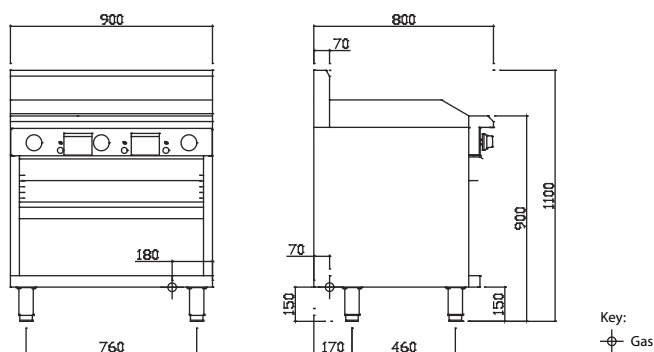


## Technical Specifications for GTS-9



### PROFESSIONAL

- 21mm thick mild steel griddle plate
- Chrome and ribbed plate finishes optional
- Space saving grill & toaster combination
- Cabinet base design
- Storage compartment
- Modular Professional series design
- 24 month 'Platinum Warranty'
- Easy to clean and service



Model	Description	Nat Gas	LP Gas
 GTS-9	900 griddle toaster	69 mj	69 mj

#### Griddle/Hotplate

- 23 mj S/S burners with pilot, FFD and piezo ignition
- Variable flame control valve with low flame setting
- 21mm thick mild steel griddle plate
- Top weld sealed hotplate sections
- GTS-9 plate: 890mm x 540mm; 0.48m<sup>2</sup> cooking area
- 2mm 304 stainless steel splash guards
- Incorporated waste channel at front of plate
- Griddle drawer oil bin 1.2mm stainless steel

#### Toaster

- Stainless steel reflectors directing heat to toasting zone
- Multiple (4) toasting rack positions
- Toasting rack 740mm x 385mm
- Stainless steel crumb catcher attached to rack
- Optimal toasting results with burner on 'high' setting
- Lower flame settings ideal for melts/warming
- 2mm 304 stainless steel splash guards
- Secondary crumb tray at base of toaster

#### Overall Construction

- Heavy duty construction
- Welded 1.2mm 304 stainless steel front hob
- Front and side panels 0.9mm 304 stainless steel
- Splashback 1.2mm 304 stainless steel
- Stainless steel legs with 55mm height adjustment range

#### Dimensions

- 900mm x 800mm x 1100mm H
- Working height 900mm
- Weight 142kg
- Packed dimensions 940mm x 860mm x 1260mm H
- Packed weight 167kg

#### Connections

- Gas 3/4" BSP male
- 180mm from right, 50mm from rear, 150mm from floor
- Supplied with gas regulator (specify Nat or LP on order)

#### Cleaning & Servicing

- Easy access to all parts & components from front
- Removable toaster rack tray, catcher, and supports

#### Options/Accessories

- Rear castors
- Joining caps
- Ribbed or chrome finish on hotplates
- RH and LH side shields



\*1 YEAR INCLUDED; 1 YEAR EXTENDED UPON PRODUCT REGISTRATION