



Thanks to a continuous and regular flow, the water is distributed on a refrigerated surface designed to increase ice production. Three different sizes are available **FULL DICE, HALF DICE** and **LARGE DICE**

High production modular ice maker.
Up to 300kg production per 24/hr of dice cube.
Head only, stainless steel cabinet.
Complete with water & drain hoses.
10 AMP power supply.



ICE PRODUCTION

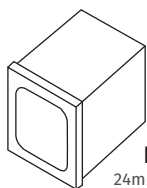
Air Cooled Unit

Air Temp.		Water Temperature			
		32°	21°	15°	10°
°C					
°F					
10°	250	285	305	320	
50°	551	628	672	705	
21°	235	265	280	290	
70°	518	584	617	639	
32°	195	215	220	225	
90°	430	474	485	496	
38°	175	185	189	192	
100°	386	408	417	423	

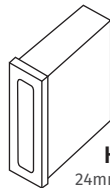
Water Cooled Unit

Air Temp.		Water Temperature			
		32°	21°	15°	10°
°C					
°F					
10°	253	275	280	285	
50°	558	606	617	628	
21°	245	265	270	275	
70°	540	584	595	606	
32°	220	240	245	250	
90°	485	529	540	551	
38°	215	235	240	245	
100°	474	518	529	540	

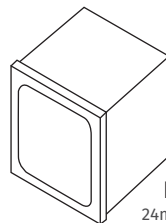
CUBE TYPE



10g
FULL CUBE
24mm x 22mm x 22mm



6g
HALF CUBE
24mm x 10mm x 29mm



17g
LARGE CUBE
24mm x 29mm x 29mm

Solid ice cube, suitable for quick drink cooling, available in three different sizes, **FULL DICE (M models)**, **HALF DICE (MH models)** and **LARGE DICE (ML models)**, can be used in various applications: ice buckets, whisky on the rocks and cocktails.

CONTROL PANEL

	Power
	Operating
	Bin Full / Washing
	Alarm
	High Pressure Alarm
	Reset Button / Washing

SUGGESTED STORAGE BIN



BH76
Stainless steel storage bin.
244kg capacity.

DIMENSIONS

W x D x H (mm)
760 x 620 x 575

OPERATING REQUIREMENTS

Rejected Heat	3388 W
Air Volume	590 m ³ /h








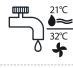





220-240/50/1

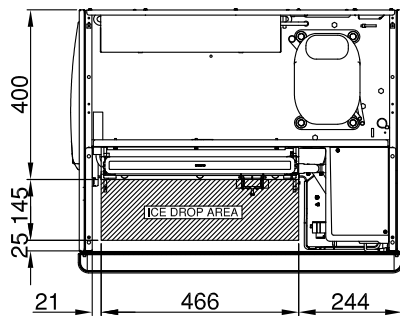
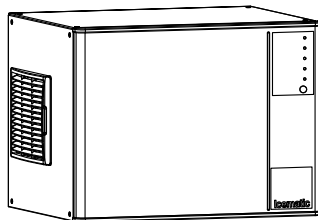
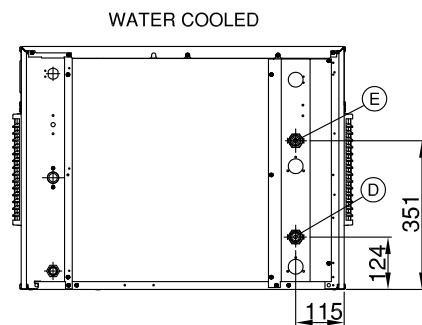
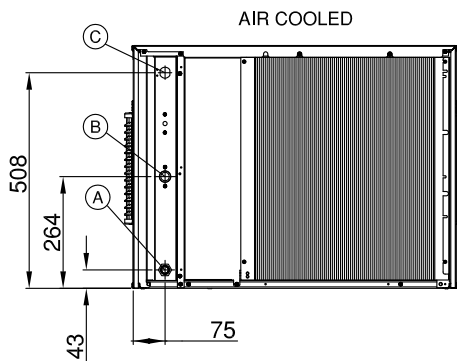
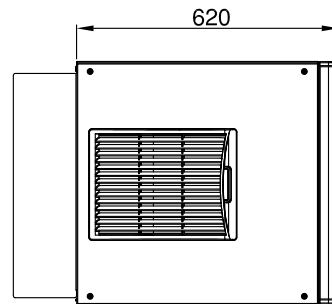
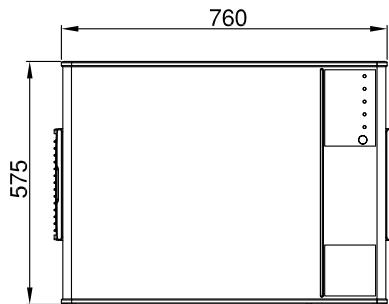


R404a GWP=3922

MIN		MAX
10°C (50°F)		40°C (104°F)
5°C (41°F)		35°C (95°F)
- 10 %		+ 10 %
1 Bar (14 psi)		5 Bar (70 psi)

SPECIFICATIONS

	 cond	 comp. W	 ABS. W	 Fuse	 kWh/100kg	 L / hr	 kg lbs		 kg lbs		 Ton CO2 equiv.
M302 A		3475	1400	16	13.9	14.8	71	157	86	190	3.33
M302 W		3475	1300	16	9.6	137	71	157	86	190	2.16



- A** Water drain 20mm diam.
- B** Potable water inlet 3/4" gas
- C** Electrical cable supply
- D** Water cooled inlet 3/4" gas
- E** Water cooled outlet 3/4" gas