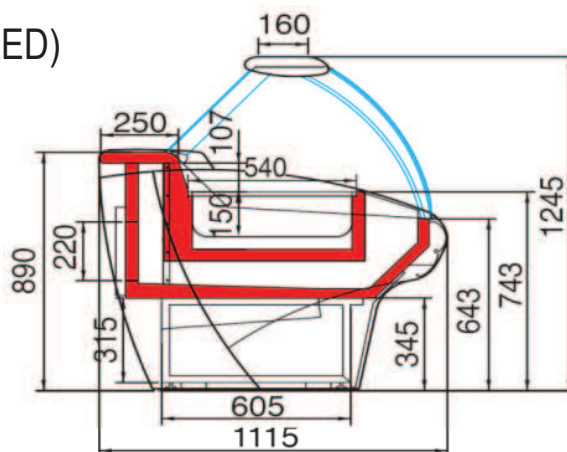


Marte Hot Case Bain Marie

→ **The total amount includes:**

- White colourbond front trim
- Stainless steel rear working bench 250mm
- Superstructure with lift-up glass (FULLY ASSEMBLED)
- Top lighting and glass top service shelf
- Polycarbonate rear sliding doors
- Electric control panel with electronic thermostat
- Mechanical thermometer
- Open lower rear compartment
- 2 grey thermoformed ends 40mm. thick each
- Halogen lamps
- 1 sector insulated water basin
- Gastro-norm trays included (one 1/1 + three 1/3 + two 1/2)

+65°C
+25°C 60%RH



Gastro-norm trays minimum H=100 recommended

| Length | | Reference | Total | |  |
|---------------|------------------|-----------|---------------|------------------|---|
| With Endwalls | Without Endwalls | | With Endwalls | Without Endwalls | |
| 1330 | 1250 | 9680100 | 14,477 | 13,456 | Hard Wired |

The multiplexing kit has to be selected in the case of line up

| Reference | Description | Price |
|-----------|--------------------------|--------|
| | CHICKEN TRAY | |
| 680986 | PERFORRATED CHICKEN TRAY | 208.00 |

***Non stock item: Please check delivery time with our office**