

## MX20AENC TS Built-in Blast Chiller / Freezer

### Standard Features

- Designed to be built-in (on 5 sides)
- Ergonomic touch screen controls integrated into the door
- 5 function home screen
- Manual use – Soft Chill, Hard Chill, Soft Freeze, Hard Freeze and Self Adaptive I-Chilling
- 99 program cycles
- Favourites key – shortcuts to the last 9 programs used
- Pre-chilling cycle key to maximise efficiency
- Multi-point core temperature probe
- Timer mode or continuous run
- Integrated door latch to keep door open when not in use
- Automatic fan stop when opening the door
- Operator selectable de-icing cycle
- External and internal finish made of 304 stainless steel
- Front frame with anti-condensation system
- Injected polyurethane foam insulation - 60mm thick



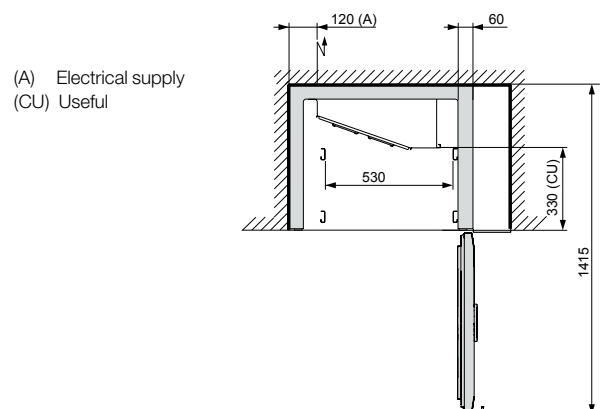
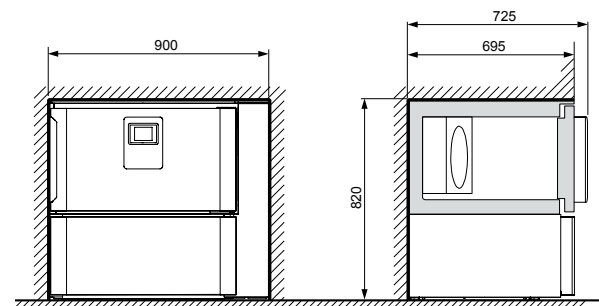
Please refer to Moffat price list for options and accessories

Dimensions

### Technical data

Tray capacity	4 x 1/1GN trays
Tray clearance	74mm
External dimensions	W 900mm x D 695mm x H 820mm
Load capacity	20kg*
Electrical connections	1P+N+E, 230-240V, 50/60Hz, 10A, 1.6kW
Nett weight	115kg
Air-cooled condensing unit - Refrigerant type	R452A
Ambient temperature requirement	+15°C — +32°C

\* Note – Load capacities may vary depending on the thermal conductivity of the food being chilled, the thickness of product and container used



(A) Electrical supply  
(CU) Useful

**Australia**  
moffat.com.au

**Moffat Pty Limited**  
740 Springvale Road  
Mulgrave  
Victoria 3170  
Australia  
Telephone +613-9518 3888  
Facsimile +613-9518 3833  
vsales@moffat.com.au

**New Zealand**  
moffat.co.nz

**Moffat Limited**  
45 Illinois Drive  
Izone Business Hub  
Rolleston 7675  
New Zealand  
Telephone +64 3-983 6600  
Facsimile +64 3-983 6660  
sales@moffat.co.nz

Disclaimer: All unit capacities are based on subjective testing. Moffat accepts no liability for production values. In line with policy to continually develop and improve its products, Moffat Limited reserves the right to change specifications and design without notice.

© Copyright Moffat Ltd  
AN-FRI-S-1801



an Ali Group Company



The Spirit of Excellence