

# ACS-SC73 Counting Scale



Professional Industry Counting Scale –  
Stable, Precise and Durable.

## Counting Scale Digital Weighing Scale

**ACS-SC73**  
**ACS-ZC73**

### PRODUCT FEATURES:

- ✓ Three LCD displays with white backlit (SC73).
- ✓ Double pan design (Plastic and SS material), suitable for various environments.
- ✓ Waterproof keypad's film-coated.
- ✓ Pressure-resistant ABS plastic body case.
- ✓ International standard loadcell in 130mm.
- ✓ Speedy weighing and stable reading within 1 seconds.



**ACS-SC73**



**ACS-ZC73**



LCD with white  
backlight



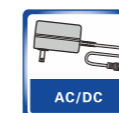
Counting function



Built-in 4V/4Ah  
rechargeable  
battery



Operating time :  
over 4 weeks  
when fully charged

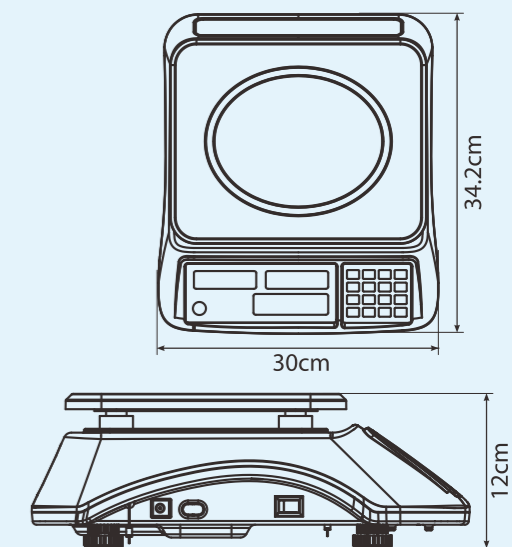


Power supply:  
AC/DC charger



Low voltage display &  
overcharge protection

### Outline Dimensions



Specifications	LCD	Max cap	Min cap	Division	Scale dimensions	Package box size	Packing carton	PCS /CTN	N.W.	G.W.	20' GP	40' HQ			
ACS-6-SC73 / ACS-6-ZC73	✓	6kg	6kg/13.2lb	40g	40g/0.08lb	2g	2g/0.005lb	34.2x30x12cm	38.5x34x14.5cm	70x40x32cm	4	14kg	17kg	1288 pcs	3080 pcs
ACS-15-SC73 / ACS-15-ZC73	✓	15kg	15kg/33lb	100g	100g/0.2lb	5g	5g/0.01lb								
ACS-30-SC73 / ACS-30-ZC73	✓	30kg	30kg/66lb	200g	200g/0.4lb	10g	10g/0.02lb								

Product color in picture for reference only, please prevail in actual item