

## PREMIER 2142

### BENCHTOP VACUUM PACKER WITH GAS-FLUSH & SENSOR CONTROL

The PureVac Premier 2142 is a powerful benchtop vacuum packaging machine. Made in Holland, the machines combine tightly crafted and functional design with ease of use and operation. The Premier range has extra functions such as sensor control, soft-air and gas-flush as standard, making these machines the most advanced and intuitive on the market.

Vacuum packing with PureVac will improve your production and storage functions, save you money and contribute to your food safety and HACCP guidelines.

With a 21m<sup>3</sup>/h capacity Busch pump and a 420mm sealing bar, the PureVac Premier 2142 will vacuum pack a large range of food products in any medium-to-large sized business.



#### STANDARD FEATURES

- Stainless steel housing deep-drawn vacuum chamber for optimal hygiene
- Transparent lid
- Removable wireless sealing bar
- Insert plates for adjusting vacuum chamber height
- Vacuum - Optimal final vacuum 99.80% (2 mbar)
- Gas-flush - Injecting food-gas for product protection and longer shelf life
- Soft-air - Controlled ventilation for protection of product and packaging
- 2 x 3.5mm seal wires for an extra-strong double seal
- Sensor Control - Set percentage pressure for vacuum and gas functions for accurate and constant packaging results / Automatic programming / 10 default programs / Vacuum plus time
- STOP button for partial/full cycle interruption
- Digital maintenance program for pump / Operating hours counter / Service indicator programs / Sleeper function etc
- Service kit for user maintenance



Busch vacuum pumps, world leaders in vacuum pump technology



Two years parts and labour warranty

SPECIFICATIONS ARE SUBJECT TO CHANGE WITHOUT NOTICE.

*From the world of Comcater!*

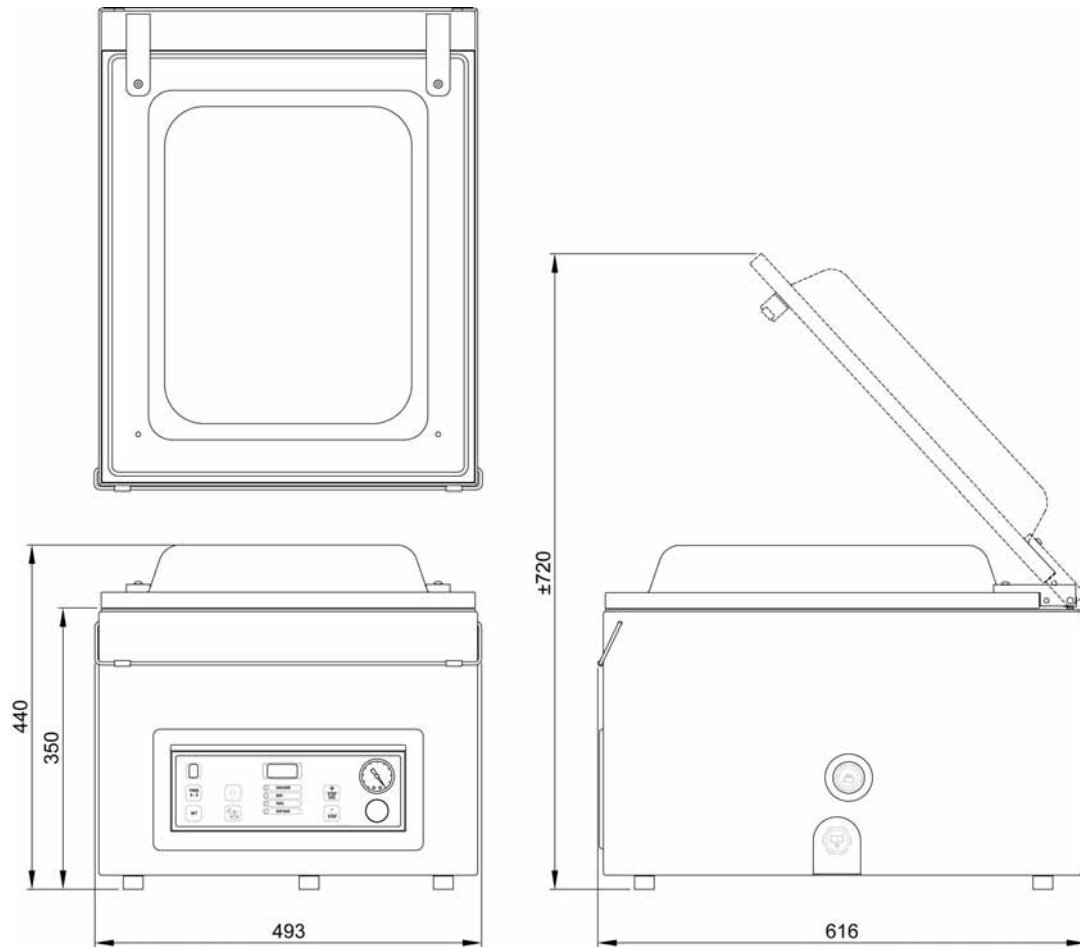
**National Head Office**  
156 Swann Drive  
Derrimut VIC 3030  
Tel: +61 3 8369 4600  
Fax: +61 3 8369 4695

**Melbourne**  
96-100 Tope Street,  
South Melbourne VIC 3205  
Tel: +61 3 8369 4600  
Fax: +61 2 8699 1299

**Sydney**  
20/4 Avenue of the Americas  
Newington, NSW 2127  
Tel: +61 2 9748 3000  
Fax: +61 2 9 648 4762

**Brisbane**  
1/62 Borthwick Avenue  
Murarrie QLD 4172  
Tel: +61 7 3399 3122  
Fax: +61 7 3399 5311

## PREMIER 2142



### DIMENSIONS

External: 493W x 616D x 440H mm

Chamber: 420W x 460D x 180H mm

Sealing Bar: 420mm

Weight: 67Kg

### OPTIONS

- Inclined insert plate for packing liquid products
- Trolleys with 3 shelves and lockable castors

### TECHNICAL DATA

Power Supply: 240V, 50Hz, Single Phase

Power Output: 0.75kW

Capacity pump: 21 m<sup>3</sup>/h

Machine cycle: 20-40 seconds

SPECIFICATIONS ARE SUBJECT TO CHANGE WITHOUT NOTICE.