

6 Burner Freestanding Gas Ranges

The Elco 700HP range is comprised of over 100 models designed to guarantee the highest level of performance, reliability, energy saving, safety standards and ergonomic operation. These concepts are reflected in the total modularity of the range that ensures numerous configurations, either free-standing or bridged. Elco 700HP demonstrates how advanced technology can satisfy the needs of the professional caterer. The models detailed on this sheet are 6 Burner Freestanding Gas Ranges.



178605

EASY TO INSTALL

- Main connections can be accessed via the rear or the base of the unit.
- Stainless steel oven chamber with 3 levels of runners to accommodate 2/1GN shelves.

EASY TO CLEAN

- One piece pressed worktop in 1,5mm 304 AISI stainless steel with smooth, rounded corners.
- Front panel in 304 AISI stainless steel with Scotch Brite finish.
- All models have right-angled, laser cut side edges to allow flush-fitting joints between units eliminating gaps and possible dirt traps.

- Recessed, double skinned door with pressed internal panel for air-tight closure and better hygiene.
- Deep oven with ribbed base plate to allow for the direct placement of pans.
- Feet in 304 AISI stainless steel adjustable in height 50mm.
- Pan supports are cast iron.
- Inside door panel in stainless steel.
- Handles on the oven in 304 AISI stainless steel.

EASY TO USE

- High efficiency flower flame allows for the flame to be adapted in order to permit pots of different sizes to be used.

Burners:

- Interchangeable on site.
- Flame failure.
- 5,5 kW with flame regulator.
- Pilot light for each burner.
- Optional smooth or ribbed accessory plates may be placed directly on the burners, allowing for food such as steaks, hamburgers, fish and vegetables to be cooked to perfection.
- All gas appliances are supplied for use with natural gas or LPG. Conversion jets supplied as standard.
- Electric oven with switch to control top and bottom heating elements.

Elco 700HP
6 Burner Freestanding Gas Ranges

- Oven thermostat with temperature markings adjustable from 140° to 300°C.
- Gas oven with stainless steel burners and self-stabilizing flame positioned beneath the base plate.

- EASY TO MAINTAIN**
- IPX4 water protection.

- EASY ON THE ENVIRONMENT**
- 98% recyclable by weight.
 - CFC free packaging.

	QCGV1200 178603	QCGFG1200 178605	QCGFE1200 178608
TECHNICAL DATA			
Power supply	Gas	Gas	Gas/Electric
External dimensions - mm			
width	1200	1200	1200
depth	730	730	730
height	850	850	850
height adjustment	50	50	50
Oven cavity - mm			
width		540	540
depth		650	650
height		300	300
Oven			
heat input - kW		6	6
temperature min-max - °C		110, 270	140, 300
Storage cupboard - mm			
width	1030	330	330
depth	640	640	640
height	420	380	380
Back burner dimensions - mm	Ø 60, Ø 60, Ø 60	Ø 60, Ø 60, Ø 60	Ø 60, Ø 60, Ø 60
Back burners power - kW	5.5, 5.5, 5.5	5.5, 5.5, 5.5	5.5, 5.5, 5.5
Front burners dimension - mm	Ø 60, Ø 60, Ø 60	Ø 60, Ø 60, Ø 60	Ø 60, Ø 60, Ø 60
Front burners power - kW	5.5, 5.5, 5.5	5.5, 5.5, 5.5	5.5, 5.5, 5.5
Power - kW			
gas	33	39	33
installed-electric			6
Net weight - kg.	75	120	120
Supply voltage			400 V, 3N, 50/60

Elco 700HP
6 Burner Freestanding Gas Ranges

	QCGV1200 178603	QCGFG1200 178605	QCGFE1200 178608
INCLUDED ACCESSORIES			
2/1 GN CHROME GRID		1	1
ACCESSORIES			
2 DRAWERS FOR OPEN BASE	216255	216255	216255
2 SIDE COVERING PANELS FOR TOP-D=700MM	216277	216277	216277
2 SIDE KICKING STRIPS-CONCRETE INSTALL.	206265	206265	206265
2 SUPPORTS+RUNNERS FOR 4 GN 1/1&2/1 CONT	206244		
2/1 GN CHROME GRID		164250	164250
4 FEET FOR CONCRETE INSTALLATION	206210	206210	206210
4 WHEELS (2 WITH BRAKE)	206188	206188	206188
CENTRAL SUPPORT FOR 800MM/1200MM CUPB.	206245		
CHIMNEY COVER 1200MM OPEN-SMALL CHIMNEY	206275	206275	206275
DOUBLE BURNER RIBBED PLATE	921685	921685	921685
DOUBLE BURNER SMOOTH PLATE	921684	921684	921684
DRAUGHT DIVERTER WITH 120 MM DIAMETER		206126	
ELECTRIC HEATING KIT FOR CUPBOARDS	206259		
FLANGED FEET KIT	206136	206136	206136
FLUE CONDENSER		206246	
FRONT.KICK.STRIP F.CONCRETE INST.1000 MM	206150	206150	206150
FRONT.KICK.STRIP F.CONCRETE INST.1200 MM	206151	206151	206151
FRONT.KICK.STRIP F.CONCRETE INST.1600 MM	206152	206152	206152
FRONT.KICK.STRIP F.CONCRETE INST.200 MM	206146	206146	206146
FRONT.KICK.STRIP F.CONCRETE INST.400 MM	206147	206147	206147
FRONT.KICK.STRIP F.CONCRETE INST.800 MM	206148	206148	206148
FRONTAL HANDRAIL 1200 MM	216049	216049	216049
FRONTAL HANDRAIL 1600 MM	216050	216050	216050
FRONTAL HANDRAIL 400 MM	216046	216046	216046
FRONTAL HANDRAIL 800 MM	216047	216047	216047
FRONTAL KICKING STRIP 1000 MM	206177	206177	206177
FRONTAL KICKING STRIP 1200 MM	206178	206178	206178
FRONTAL KICKING STRIP 1600 MM	206179	206179	206179
FRONTAL KICKING STRIP 200 MM	206174	206174	206174
FRONTAL KICKING STRIP 400 MM	206175	206175	206175
FRONTAL KICKING STRIP 800 MM	206176	206176	206176
LARGE HANDRAIL(PORTIONING SHELF)400 MM	216185	216185	216185
LARGE HANDRAIL(PORTIONING SHELF)800 MM	216186	216186	216186
LEFT SIDE DOOR FOR OPEN BASE CUPBOARD	216195	216195	216195
PAIR OF SIDE KICKING STRIPS	206249	206249	206249
PRESSURE REGULATOR FOR GAS UNITS	927225	927225	
RIGHT AND LEFT SIDE HANDRAILS	206240	206240	206240
RIGHT SIDE DOOR FOR OPEN BASE CUPBOARD	216194	216194	216194
SIDE WALL FOR CUPBOARD	206252		
SINGLE BURNER RADIANT PLATE	206264	206264	206264
SINGLE BURNER RIBBED PLATE	206261	206261	206261
SINGLE BURNER SMOOTH PLATE	206260	206260	206260
WATER COLUMN WITH SWIVEL ARM	206266	206266	206266

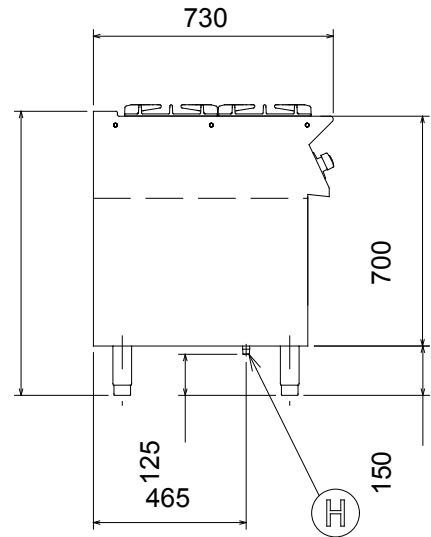
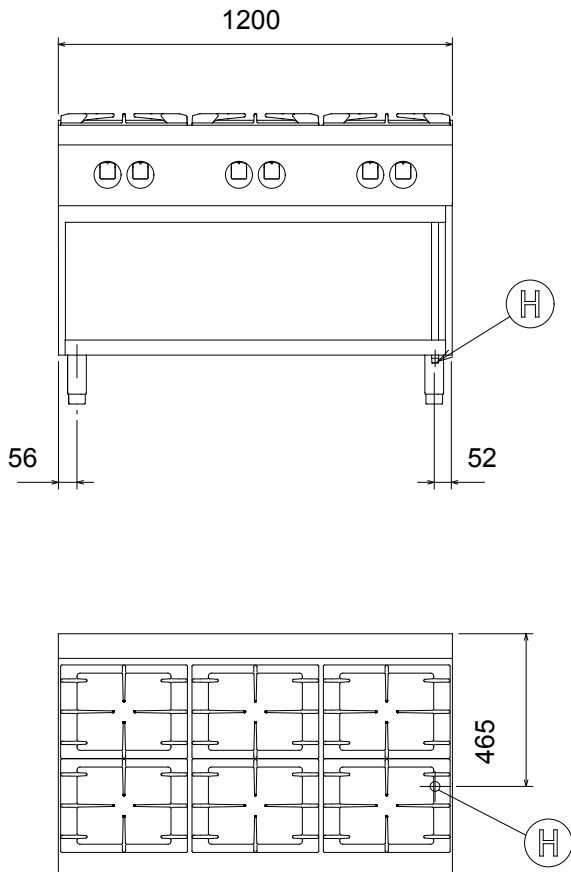
CGAB020

2007-07-30

Subject to change without notice

Elco 700HP
6 Burner Freestanding Gas Ranges

178603



597836500

LEGEND
H - Gas connection

QCGV1200
178603

1/2"

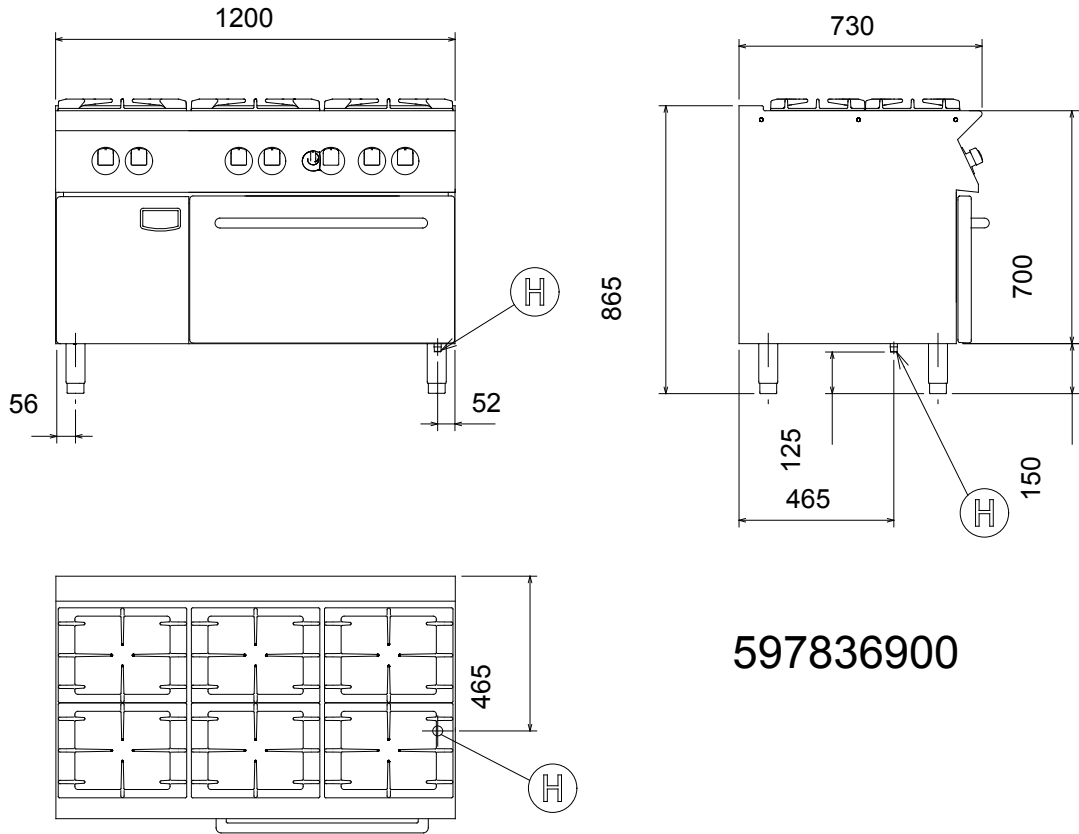
CGAB020

2007-07-30

Subject to change without notice

Elco 700HP
6 Burner Freestanding Gas Ranges

178605



597836900

LEGEND
H - Gas connection

QCGFG1200
178605

1/2"

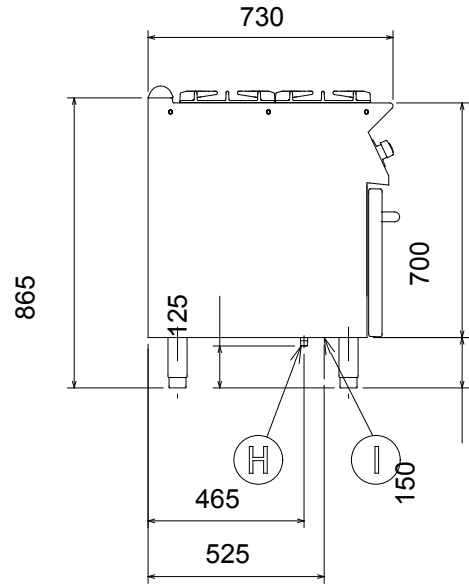
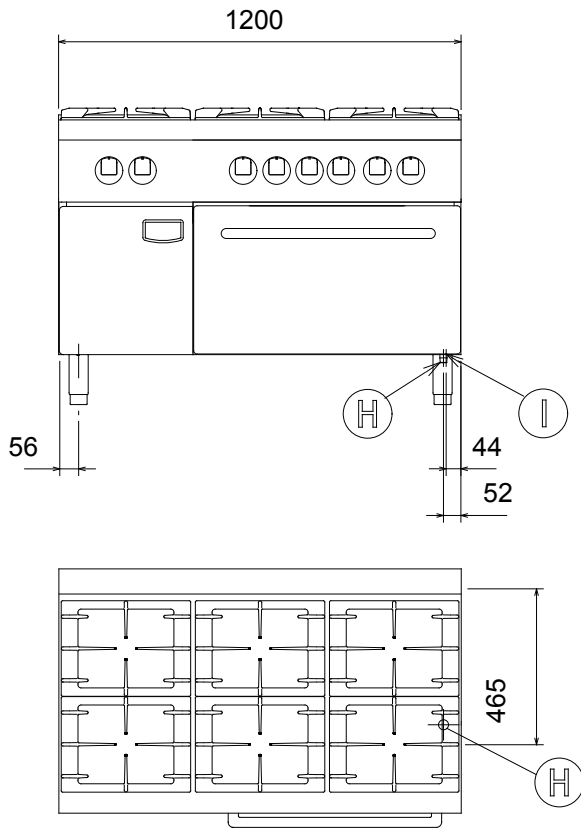
CGAB020

2007-07-30

Subject to change without notice

**Elco 700HP
6 Burner Freestanding Gas Ranges**

178608



597836800

LEGEND H - Gas connection I - Electrical connection	QCGFE1200 178608
	1/2"
	400 V, 3N, 50/60

CGAB020

2007-07-30

Subject to change without notice