

## 4 Burner Freestanding Gas Ranges

The Elco 700HP range is comprised of over 100 models designed to guarantee the highest level of performance, reliability, energy saving, safety standards and ergonomic operation. These concepts are reflected in the total modularity of the range that ensures numerous configurations, either free-standing or bridged. Elco 700HP demonstrates how advanced technology can satisfy the needs of the professional caterer. The models detailed on this sheet are 4 Burner Freestanding Gas Boiling Tops.



178604

### EASY TO INSTALL

- Main connections can be accessed via the rear or the base of the unit.
- Stainless steel oven chamber with 3 levels of runners to accommodate 2/1GN shelves.

### EASY TO CLEAN

- One piece pressed worktop in 1,5mm 304 AISI stainless steel with smooth, rounded corners.
- Front panel in 304 AISI stainless steel with Scotch Brite finish.
- All models have right-angled, laser cut side edges to allow flush-fitting joints between units eliminating gaps and possible dirt traps.

- Recessed, double skinned door with pressed internal panel for air-tight closure and better hygiene.
- Deep oven with ribbed base plate to allow for the direct placement of pans.
- Pan supports are cast iron.
- Inside door panel in stainless steel.
- Handles on the oven in 304 AISI stainless steel.
- Feet in 304 AISI stainless steel adjustable up to 50mm in height.

### EASY TO USE

- High efficiency flower flame allows for the flame to be adapted in order to permit pots of different sizes to be used.

### • Burners:

- Interchangeable on site.
- Flame failure.
- 5,5 kW with flame regulator.
- Pilot light for each burner.
- Optional smooth or ribbed accessory plates may be placed directly on the burners, allowing for food such as steaks, hamburgers, fish and vegetables to be cooked to perfection.
- All gas appliances are supplied for use with natural gas or LPG. Conversion jets supplied as standard.
- Electric oven with switch to control top and bottom heating elements.

**Elco 700HP**  
**4 Burner Freestanding Gas Ranges**

- Oven thermostat with temperature markings adjustable from 140° to 300°C.
- Gas oven with stainless steel burners and self-stabilizing flame positioned beneath the base plate.

- EASY TO MAINTAIN**
- IPX4 water protection.

- EASY ON THE ENVIRONMENT**
- 98% recyclable by weight.
  - CFC free packaging.

<b>TECHNICAL DATA</b>	<b>QCGV800 178602</b>	<b>QCGFG800 178604</b>	<b>QCGFE800 178607</b>	<b>QCGFE8002 178638</b>
Power supply	Gas	Gas	Gas/Electric	Gas/Electric
External dimensions - mm				
width	800	800	800	800
depth	730	730	730	730
height	850	850	850	850
height adjustment	50	50	50	50
Oven cavity - mm				
width		540	540	540
depth		650	650	650
height		300	300	300
Oven				
temperature min-max - °C		110, 270	140, 300	140, 300
Storage cupboard - mm				
width	680			
depth	640			
height	420			
Oven				
heat input - kW		6	6	6
Back burner dimensions - mm	Ø 60, Ø 60	Ø 60, Ø 60	Ø 60, Ø 60	Ø 60, Ø 60
Back burners power - kW	5.5, 5.5	5.5, 5.5	5.5, 5.5	5.5, 5.5
Front burners dimension - mm	Ø 60, Ø 60	Ø 60, Ø 60	Ø 60, Ø 60	Ø 60, Ø 60
Front burners power - kW	5.5, 5.5	5.5, 5.5	5.5, 5.5	5.5, 5.5
Power - kW				
gas	22	28	22	22
installed-electric			6	6
Net weight - kg.	50	80	80	80
Supply voltage			400 V, 3N, 50/60	230 V, 3, 50/60

CCGAB010

2007-07-30

Subject to change without notice

**Elco 700HP**  
**4 Burner Freestanding Gas Ranges**

	<b>QCGV800 178602</b>	<b>QCGFG800 178604</b>	<b>QCGFE800 178607</b>	<b>QCGFE8002 178638</b>
<b>INCLUDED ACCESSORIES</b>				
2/1 GN CHROME GRID		1	1	1
<b>ACCESSORIES</b>				
2 DRAWERS FOR OPEN BASE	216255			
2 SIDE COVERING PANELS FOR TOP-D=700MM	216277	216277	216277	216277
2 SIDE KICKING STRIPS-CONCRETE INSTALL.	206265	206265	206265	206265
2 SUPPORTS+RUNNERS FOR 4 GN 1/1&2/1 CONT	206244			
2/1 GN CHROME GRID		164250	164250	164250
4 FEET FOR CONCRETE INSTALLATION	206210	206210	206210	206210
4 WHEELS (2 WITH BRAKE)	206188	206188	206188	206188
CENTRAL SUPPORT FOR 800MM/1200MM CUPB.	206245			
CHIMNEY COVER 800MM OPEN-SMALL CHIMNEY	206272	206272	206272	206272
DOUBLE BURNER RIBBED PLATE	921685	921685	921685	921685
DOUBLE BURNER SMOOTH PLATE	921684	921684	921684	921684
DRAUGHT DIVERTER WITH 120 MM DIAMETER		206126		
ELECTRIC HEATING KIT FOR CUPBOARDS	206259			
FLANGED FEET KIT	206136	206136	206136	206136
FLUE CONDENSER		206246		
FRONT.KICK.STRIP F.CONCRETE INST.1000 MM	206150	206150	206150	206150
FRONT.KICK.STRIP F.CONCRETE INST.1200 MM	206151	206151	206151	206151
FRONT.KICK.STRIP F.CONCRETE INST.1600 MM	206152	206152	206152	206152
FRONT.KICK.STRIP F.CONCRETE INST.200 MM	206146	206146	206146	206146
FRONT.KICK.STRIP F.CONCRETE INST.400 MM	206147	206147	206147	206147
FRONT.KICK.STRIP F.CONCRETE INST.800 MM	206148	206148	206148	206148
FRONTAL HANDRAIL 1200 MM	216049	216049	216049	216049
FRONTAL HANDRAIL 1600 MM	216050	216050	216050	216050
FRONTAL HANDRAIL 400 MM	216046	216046	216046	216046
FRONTAL HANDRAIL 800 MM	216047	216047	216047	216047
FRONTAL KICKING STRIP 1000 MM	206177	206177	206177	206177
FRONTAL KICKING STRIP 1200 MM	206178	206178	206178	206178
FRONTAL KICKING STRIP 1600 MM	206179	206179	206179	206179
FRONTAL KICKING STRIP 200 MM	206174	206174	206174	206174
FRONTAL KICKING STRIP 400 MM	206175	206175	206175	206175
FRONTAL KICKING STRIP 800 MM	206176	206176	206176	206176
LARGE HANDRAIL(PORTIONING SHELF)400 MM	216185	216185	216185	216185
LARGE HANDRAIL(PORTIONING SHELF)800 MM	216186	216186	216186	216186
LEFT SIDE DOOR FOR OPEN BASE CUPBOARD	216195			
PAIR OF SIDE KICKING STRIPS	206249	206249	206249	206249
PRESSURE REGULATOR FOR GAS UNITS	927225	927225		
RIGHT AND LEFT SIDE HANDRAILS	206240	206240	206240	206240
RIGHT SIDE DOOR FOR OPEN BASE CUPBOARD	216194			
SIDE WALL FOR CUPBOARD	206252			
SINGLE BURNER RADIANT PLATE	206264	206264	206264	206264
SINGLE BURNER RIBBED PLATE	206261	206261	206261	206261
SINGLE BURNER SMOOTH PLATE	206260	206260	206260	206260
WATER COLUMN WITH SWIVEL ARM	206266	206266	206266	206266

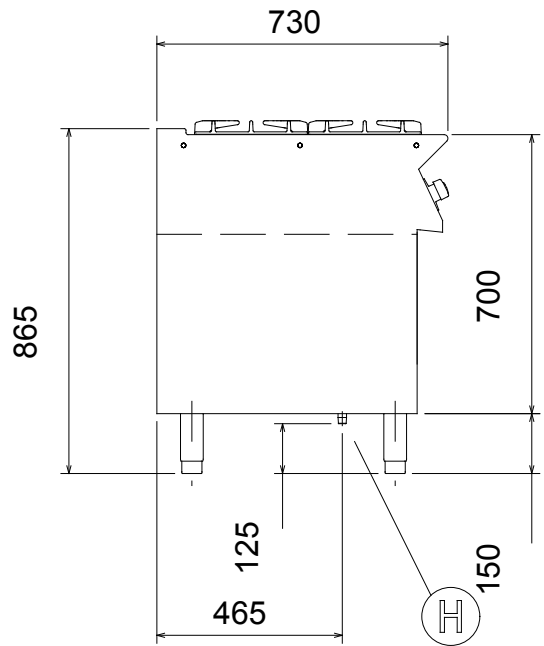
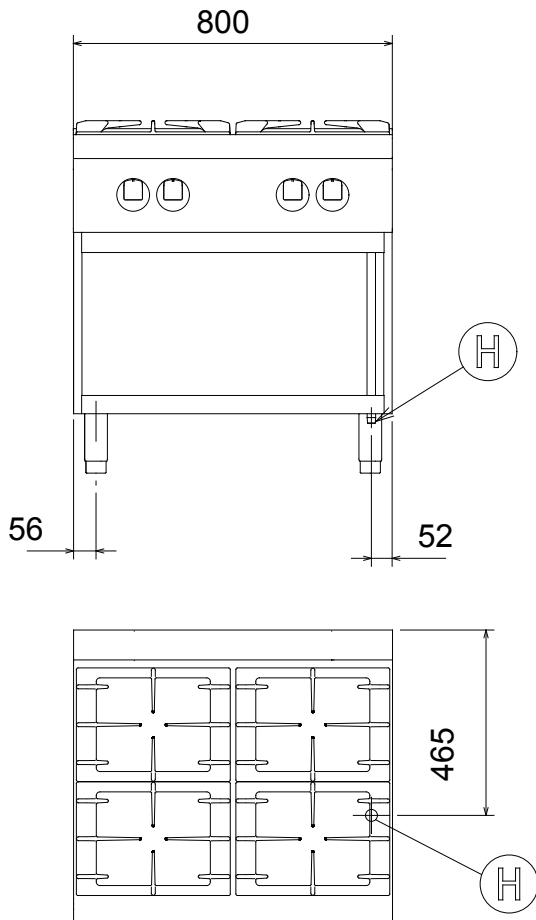
CCGAB010

2007-07-30

Subject to change without notice

Elco 700HP  
4 Burner Freestanding Gas Ranges

178602



597836400

**LEGEND**  
H - Gas connection

QCGV800  
178602

1/2"

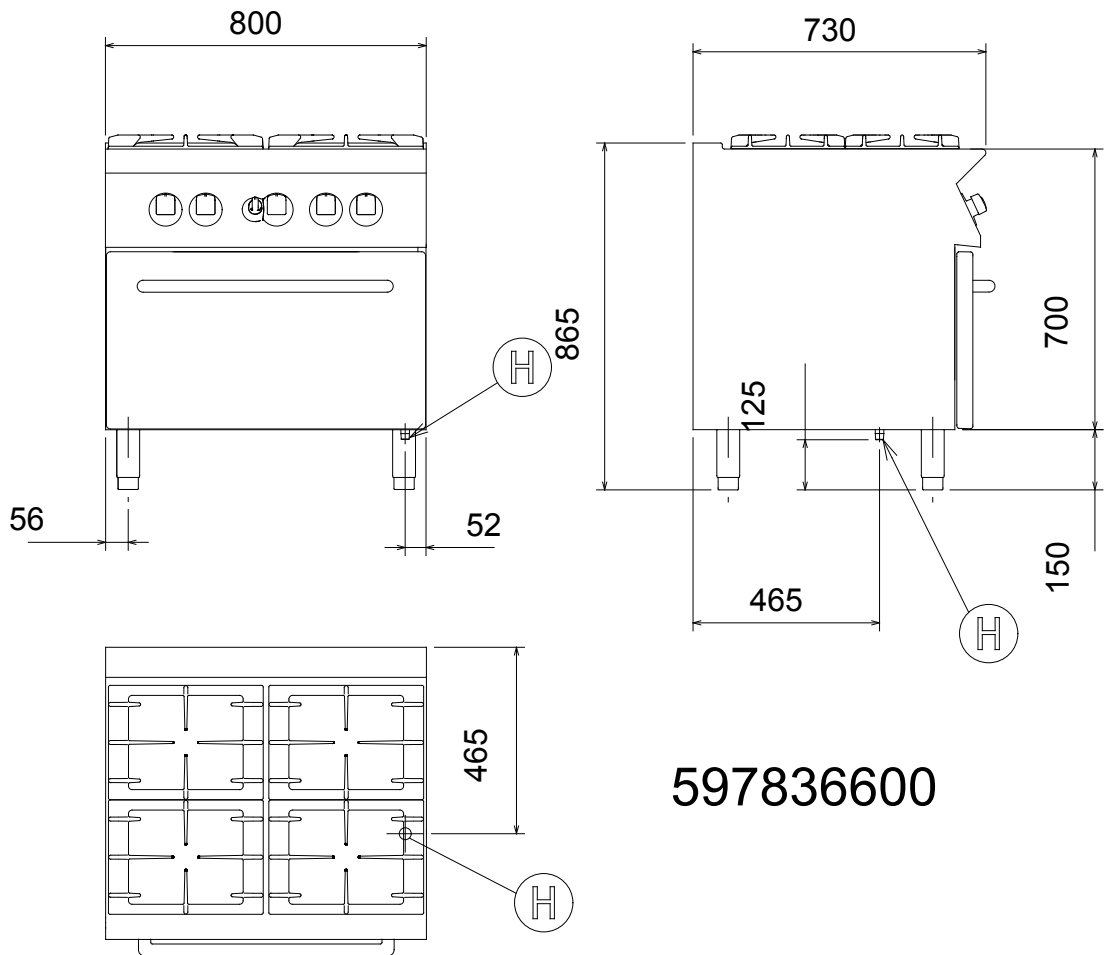
CCGAB010

2007-07-30

Subject to change without notice

Elco 700HP  
4 Burner Freestanding Gas Ranges

178604



**LEGEND**  
H - Gas connection

QCGFG800  
178604

1/2"

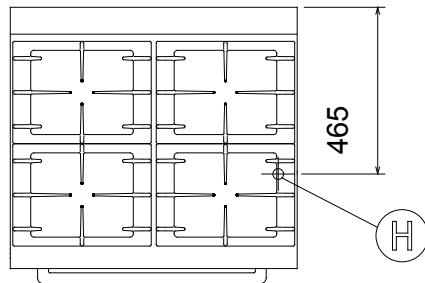
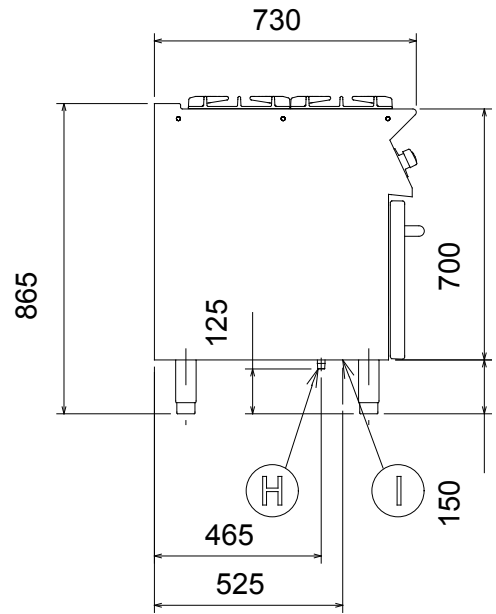
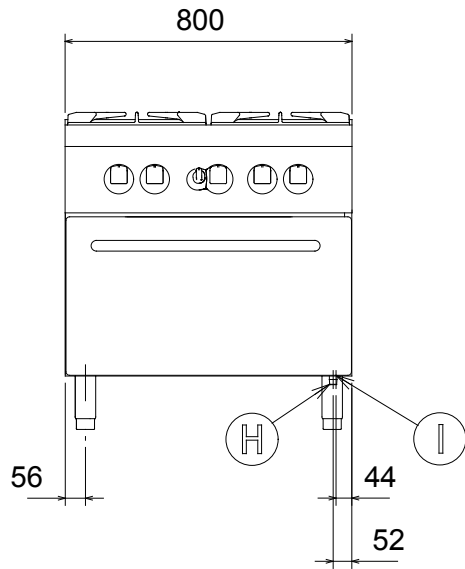
CCGAB010

2007-07-30

Subject to change without notice

Elco 700HP  
4 Burner Freestanding Gas Ranges

178607, 178638



597836700

LEGEND	QCGFE800 178607	QCGFE8002 178638
	H - Gas connection	1/2"
I - Electrical connection	400 V, 3N, 50/60	230 V, 3, 50/60

CGAB010

2007-07-30

Subject to change without notice