

Freestanding Gas Pasta Cookers

The Elco 700HP range is comprised of over 100 models designed to guarantee the highest level of performance, reliability, energy saving, safety standards and ergonomic operation. These concepts are reflected in the total modularity of the range that ensures numerous configurations, either free-standing or bridged. Elco 700HP demonstrates how advanced technology can satisfy the needs of the professional caterer. The models detailed on this sheet are Freestanding Gas Pasta Cookers.



178744 + optional accessory 927221

EASY TO INSTALL

- Main connections can be accessed via the rear or base of the unit.

EASY TO CLEAN

- One piece pressed worktop in 1,5mm 304 AISI stainless steel with smooth, rounded corners.
- Front panel in 304 AISI stainless steel with Scotch Brite finish.
- All models have right-angled, laser cut side edges to allow flush-fitting joints between units eliminating gaps and possible dirt traps.

- Well in 316 AISI stainless steel thus guaranteeing high resistance against the water and salt corrosive action.
- Recessed, double skinned door with pressed internal panel for air-tight closure and better hygiene.
- Inside door panel in 304 AISI stainless steel.
- Feet in 304 AISI stainless steel adjustable up to 50mm in height.

EASY TO USE

- Easy to use control panel with gas cock, piezo ignition and water tap.

- High-power burners (one for each well) with optimized combustion positioned beneath the base of the well, featuring flame failure device and pilot light with separate power settings for each well.
- Skimming zone for collecting and discharging, through the overflow filter, of starches and foams.
- Appliances are supplied for use with natural gas or LPG. Conversion jets supplied as standard.



Electrolux

Elco 700HP
Freestanding Gas Pasta Cookers

EASY TO MAINTAIN

- IPX4 water protection.
- Ease of maintenance guaranteed by frontal access to all working components.

EASY ON THE ENVIRONMENT

- 98% recyclable by weight.
- CFC free packaging.

*In accordance with CE regulations for gas models belonging to Class B11 (power over 14 kW), it is necessary to install a chimney (if installed under a hood) or chimney and draft diverter if the waste gases are vented directly outside.

	QCPG400 178743	QCPG800 178744
TECHNICAL DATA		
Power supply	Gas	Gas
External dimensions - mm		
width	400	800
depth	730	730
height	850	850
height adjustment	50	50
N° of wells	1	2
Usable well dimensions - mm		
width	250	250
depth	400	400
height	300	300
Well capacity - min/max - lt.	18, 24.5	18, 24.5
Power - kW		
gas	10.5	21
Net weight - kg.	50	50
INCLUDED ACCESSORIES		
LEFT SIDE DOOR FOR OPEN BASE CUPBOARD	1	1
RIGHT SIDE DOOR FOR OPEN BASE CUPBOARD		1
ACCESSORIES		
2 BASKETS 105X350 FOR PASTA COOKERS	921619	921619
2 BASKETS 170X220 FOR PASTA COOKERS	921610	921610
2 SIDE COVERING PANELS FOR TOP-D=700MM	216277	216277
2 SIDE KICKING STRIPS-CONCRETE INSTALL.	206265	206265
4 BASKETS 105X160 FOR PASTA COOKERS	921618	921618
4 FEET FOR CONCRETE INSTALLATION	206210	206210
BASKET 350X220 FOR PASTA COOKERS	921611	921611
CHIMNEY COVER 400MM OPEN	206284	
CHIMNEY COVER 800MM OPEN-LARGE CHIMNEY		206273
DRAUGHT DIVERTER WITH 120 MM DIAMETER		206126
FLANGED FEET KIT	206136	206136
FLUE CONDENSER		206246
FRONT.KICK.STRIP F.CONCRETE INST.1000 MM	206150	206150
FRONT.KICK.STRIP F.CONCRETE INST.1200 MM	206151	206151
FRONT.KICK.STRIP F.CONCRETE INST.1600 MM	206152	206152
FRONT.KICK.STRIP F.CONCRETE INST.200 MM	206146	206146
FRONT.KICK.STRIP F.CONCRETE INST.400 MM	206147	206147
FRONT.KICK.STRIP F.CONCRETE INST.800 MM	206148	206148
FRONTAL HANDRAIL 1200 MM	216049	216049
FRONTAL HANDRAIL 1600 MM	216050	216050
FRONTAL HANDRAIL 400 MM	216046	216046
FRONTAL HANDRAIL 800 MM	216047	216047
FRONTAL KICKING STRIP 1000 MM	206177	206177
FRONTAL KICKING STRIP 1200 MM	206178	206178
FRONTAL KICKING STRIP 1600 MM	206179	206179
FRONTAL KICKING STRIP 200 MM	206174	206174
FRONTAL KICKING STRIP 400 MM	206175	206175
FRONTAL KICKING STRIP 800 MM	206176	206176
LARGE HANDRAIL(PORTIONING SHELF)400 MM	216185	216185
LARGE HANDRAIL(PORTIONING SHELF)800 MM	216186	216186
LID FOR PASTA COOKERS	921607	921607
PAIR OF SIDE KICKING STRIPS	206249	206249
PRESSURE REGULATOR FOR GAS UNITS	927225	927225
RIGHT AND LEFT SIDE HANDRAILS	206240	206240
SUPPORT FOR 4 PASTA COOKER BASKETS	921606	921606

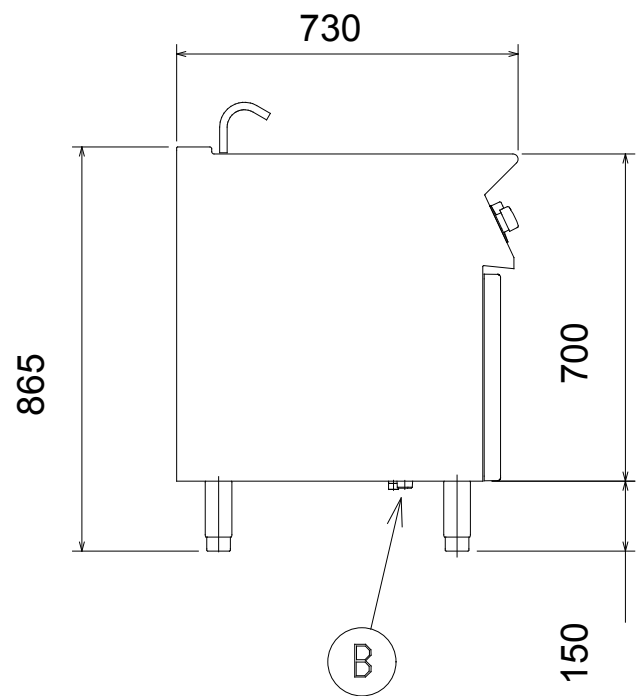
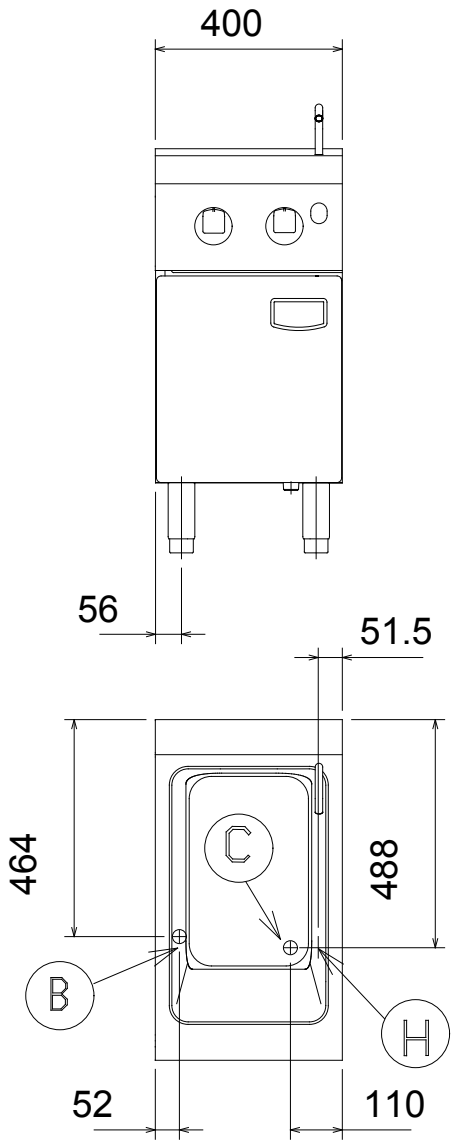
CGGA010

2007-07-30

Subject to change without notice

Elco 700HP
Freestanding Gas Pasta Cookers

178743



597843200

CGGA010

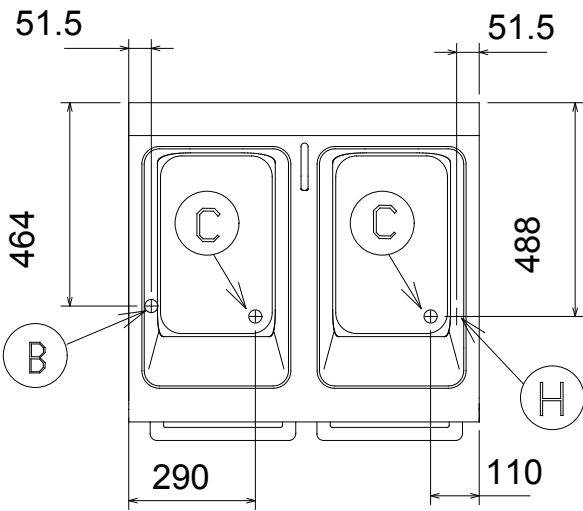
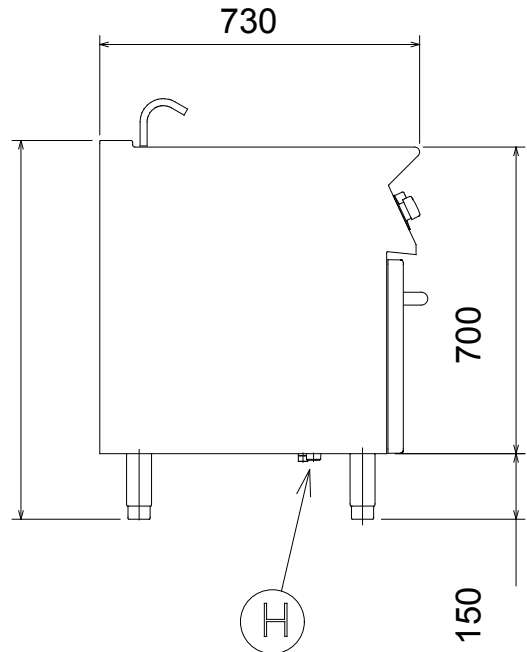
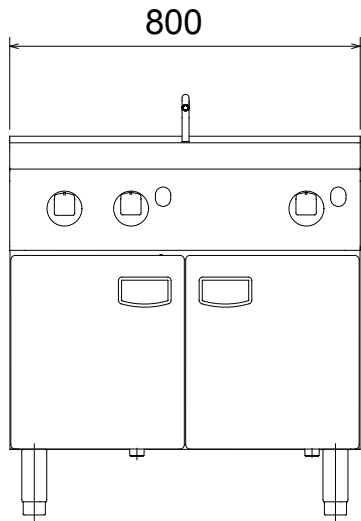
2007-07-30

LEGEND		QCPG400 178743
B - Cold water inlet		1/2"
C - Water drain		1"
H - Gas connection		1/2"

Subject to change without notice

Elco 700HP
Freestanding Gas Pasta Cookers

178744



597843300

CGGA010

2007-07-30

		QCPG800 178744
LEGEND		
B - Cold water inlet		1/2"
C - Water drain		1"
H - Gas connection		1/2"

Subject to change without notice