

## Freestanding Gas Boiling Pans

The Elco 700HP range is comprised of over 100 models designed to guarantee the highest level of performance, reliability, energy saving, safety standards and ergonomic operation. These concepts are reflected in the total modularity of the range that ensures numerous configurations, either free-standing or bridged. Elco 700HP demonstrates how advanced technology can satisfy the needs of the professional caterer. The models detailed on this sheet are Freestanding Gas Boiling Pans.



178736

### EASY TO INSTALL

- Main connections can be accessed via the rear or base of the unit.

### EASY TO CLEAN

- One piece pressed worktop in 1,5mm 304 AISI stainless steel with smooth, rounded corners.
- Front panel in 304 AISI stainless steel with Scotch Brite finish.
- All models have right-angled, laser cut side edges to allow flush-fitting joints between units eliminating gaps and possible dirt traps.

### EASY TO USE

- Stainless steel burners with optimized combustion, flame failure device, temperature limiter and protected pilot light.

- Pressed well and lid are in 316 AISI stainless steel thus guaranteeing high resistance to the corrosive action of salt and water.
- Well with rounded corners.
- Great reduction of energy consumption thanks to a pressure switch control on indirect heating models.
- Safety valve guaranteeing a working pressure in accordance with regulations.
- Hot and cold water refilling through a solenoid valve. Water drains through a 1 1/2" stainless steel tap with athermic handle.
- All gas appliances are supplied for use with natural gas or LPG. Conversion jets supplied as standard.

- Feet in 304 AISI stainless steel adjustable in height 50mm.

### EASY TO MAINTAIN

- IPX4 water protection.

### EASY ON THE ENVIRONMENT

- 98% recyclable by weight.
- CFC free packaging.



**Electrolux**

**Elco 700HP**  
**Freestanding Gas Boiling Pans**

	<b>QPNGD860 178734</b>	<b>QPNGI861 178736</b>
<b>TECHNICAL DATA</b>		
Power supply	Gas	Gas
Pressure switch		●
External dimensions - mm		
width	800	800
depth	730	730
height	850	850
height adjustment	50	50
Vessel useful capacity - Lt.	60	60
Temperature limiter	●	●
Vessel dimensions - mm		
diameter	420	420
Heating type	Direct	Indirect
Power - kW		
gas	14	14
Water supply		
pressure min.- max. - bar	0.3	0.3
Power - kW		
installed-electric	0.2	0.2
Net weight - kg.	95	100
Supply voltage	230 V, 1N, 50/60	230 V, 1N, 50/60
<b>ACCESSORIES</b>		
1-SECTION NOODLE BASKET FOR 60 LT PANS	921626	921626
2 SIDE COVERING PANELS FOR TOP-D=700MM	216277	216277
2 SIDE KICKING STRIPS-CONCRETE INSTALL.	206265	206265
4 FEET FOR CONCRETE INSTALLATION	206210	206210
DRAUGHT DIVERTER WITH 120 MM DIAMETER	206126	206126
FLANGED FEET KIT	206136	206136
FLUE CONDENSER	206246	206246
FRONT.KICK.STRIP F.CONCRETE INST.1000 MM	206150	206150
FRONT.KICK.STRIP F.CONCRETE INST.1200 MM	206151	206151
FRONT.KICK.STRIP F.CONCRETE INST.1600 MM	206152	206152
FRONT.KICK.STRIP F.CONCRETE INST.200 MM	206146	206146
FRONT.KICK.STRIP F.CONCRETE INST.400 MM	206147	206147
FRONT.KICK.STRIP F.CONCRETE INST.800 MM	206148	206148
FRONTAL HANDRAIL 1200 MM	216049	216049
FRONTAL HANDRAIL 1600 MM	216050	216050
FRONTAL HANDRAIL 400 MM	216046	216046
FRONTAL HANDRAIL 800 MM	216047	216047
FRONTAL KICKING STRIP 1000 MM	206177	206177
FRONTAL KICKING STRIP 1200 MM	206178	206178
FRONTAL KICKING STRIP 1600 MM	206179	206179
FRONTAL KICKING STRIP 200 MM	206174	206174
FRONTAL KICKING STRIP 400 MM	206175	206175
FRONTAL KICKING STRIP 800 MM	206176	206176
LARGE HANDRAIL(PORTIONING SHELF)400 MM	216185	216185
LARGE HANDRAIL(PORTIONING SHELF)800 MM	216186	216186
PAIR OF SIDE KICKING STRIPS	206249	206249
PRESSURE REGULATOR FOR GAS UNITS	927225	927225
RIGHT AND LEFT SIDE HANDRAILS	206240	206240

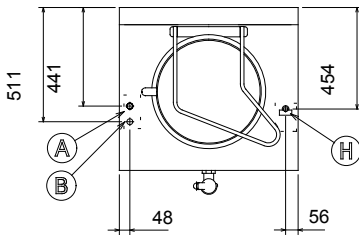
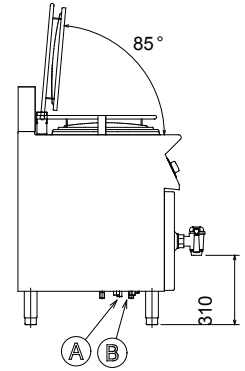
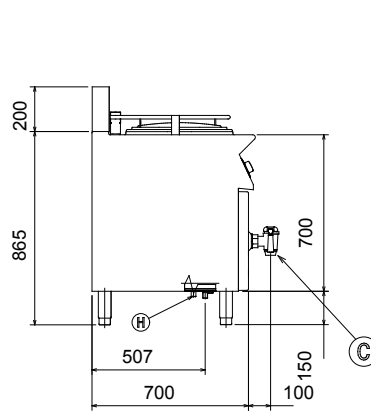
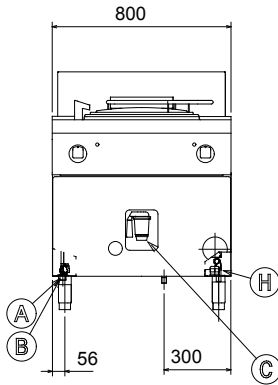
CGOA010

2007-07-30

Subject to change without notice

**Elco 700HP  
Freestanding Gas Boiling Pans**

178734



597843000

<b>LEGEND</b>		<b>QPNGD860 178734</b>
A - Hot water inlet		3/4"
B - Cold water inlet		3/4"
C - Water drain		1" 1/2
H - Gas connection		1/2"
I - Electrical connection		230 V, 1N, 50/60

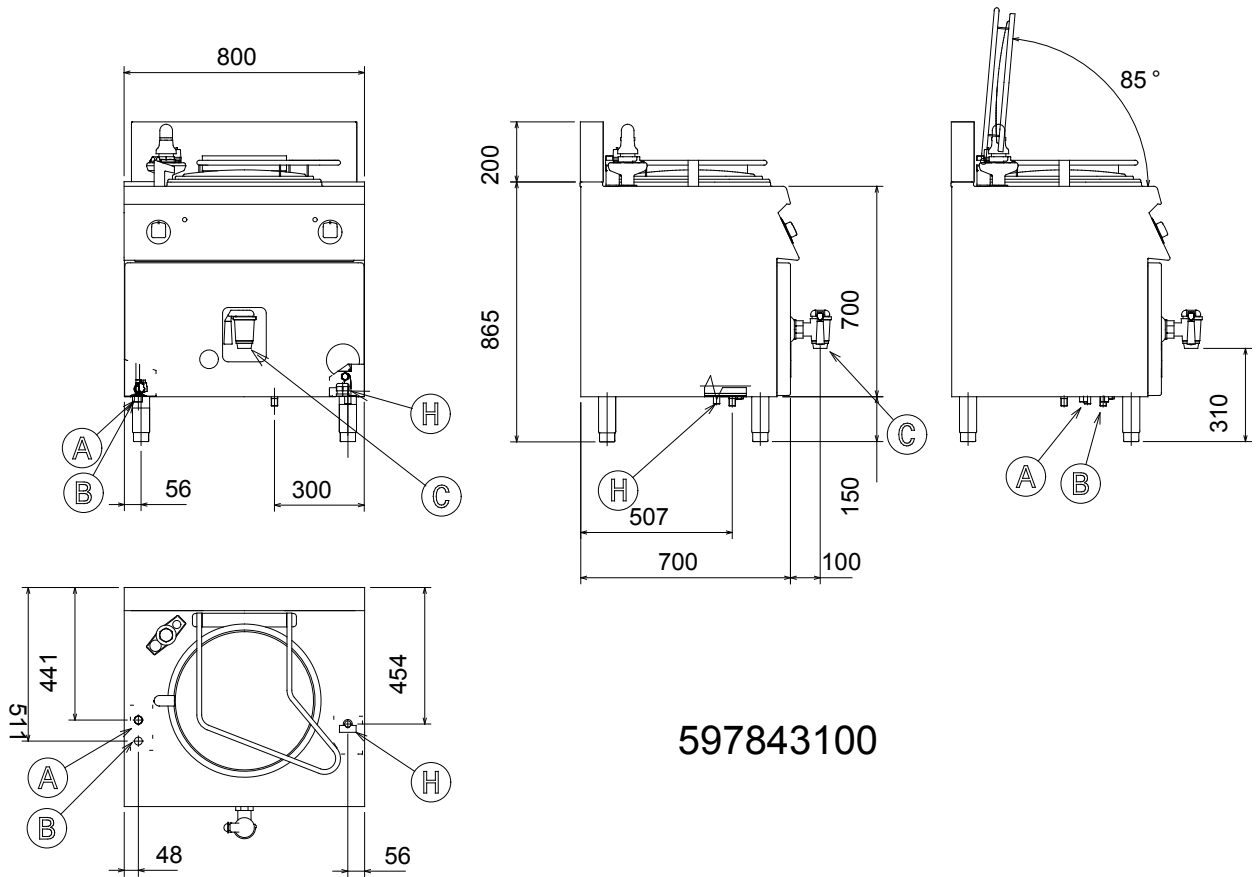
CG0A010

2007-07-30

Subject to change without notice

**Elco 700HP  
Freestanding Gas Boiling Pans**

178736



597843100

<b>LEGEND</b>		<b>QPNG1861 178736</b>
A - Hot water inlet		3/4"
B - Cold water inlet		3/4"
C - Water drain		1" 1/2
H - Gas connection		1/2"
I - Electrical connection		230 V, 1N, 50/60

CG0A010

2007-07-30

Subject to change without notice