

SKOPE®

Food Preparation & Storage



ReFlex

Preparation Fridges Available Now

Scan here for the most up-to-date digital version



ReFlex™ Series

Pizza & Salad



Give your fresh ingredients the best defence with SKOPE's ChillGuard™ technology that blows crisp, cool air to every corner of the food well, with unprecedented consistency.

Available in salad and pizza configurations, and from two to four doors, this gastronorm compatible range utilises all the award-winning features of ReFlex™, including a 304 stainless steel build and complete control via the SKOPE-connect™ app.

A New Benchmark

Protect valuable food and drink with a crisp, clean wall of cool air projected with the unprecedented consistency of ChillGuard™ technology. No gaps, no blind spots, just leading-edge airflow engineered to keep your food below 5°C.

A Strong Foundation

They say there's strength in numbers, and that's certainly the case with the material we use for food preparation. Accept nothing less than 304 stainless steel for the entire cabinet because of its robust strength, anti-corrosion qualities, and food safety characteristics.

A Digital Eye

Food safety issues happen when your eye is elsewhere. So we created a digital eye for you, that's always got your back. SKOPE-connect™ sends alerts to your smartphone if temperature strays from the range you've set, along with a summary of the cause and advice on what to do. We also store months of temperature history for easy record-keeping.

A Magnetic Design

ReFlex prep fridges have real magnetism - and it means they're easier to clean and maintain. That's because they embrace a tool-less design. Every part of our well is sized for easy handling by one person with no tools, thanks to the power of magnetic mounting that completely does away with unhygienic hard-to-clean brackets.



ReFlex



Warranty
2 Year Protection



Food Safe
Keeps food below 5°C



Compliance
Independently Verified



SKOPE-connect™

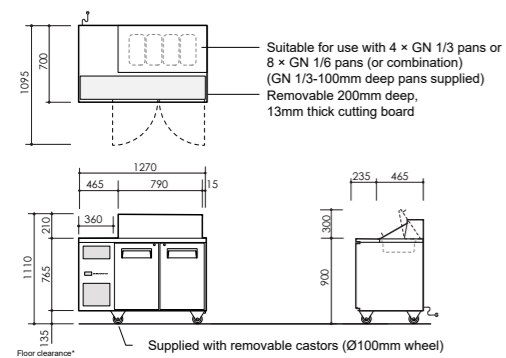


R290 Natural Refrigerant



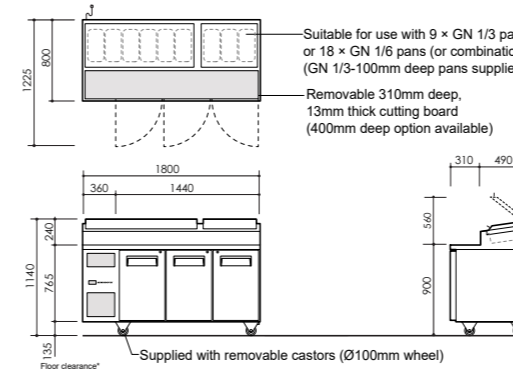
ChillGuard™

ReFlex 2 Solid Door GN Compatible Salad Preparation Fridge



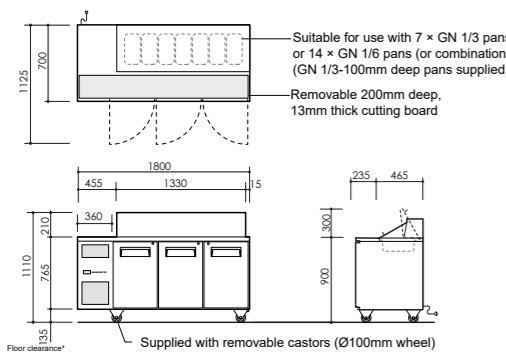
Cabinet	RF7.PPS.2.SD
Refrigeration Type	Fridge
Doors	2
Door Type	Self-closing, lockable, solid swing doors
Shelves	2 adjustable wire shelves per door + base
Material	304 AISI Stainless Steel
Dimensions (W x D x H mm)	1270 x 700 x 1110
Gross Volume (litres)	217
Floor Area (m ²)	0.89
Weight (kg)	139
Performance	
Max Ambient Temp (°C)	40
Temperature Range (°C)	1°C to 5°C (adjustable with SKOPE-connect 0°C to 15°C)
Climate Class	4M1
Energy Consumption (kWh/24h)	2.67
Annual Running Cost (@ \$0.30/kWh)	\$292 p.a.
Electrical Safety Climate Class	5 (Heavy Duty) 40°C/40%RH
Refrigeration	
Refrigeration Unit	Self-contained, side mounted, removable
Refrigerant / Charge	R290/90g
Controller	SCS Connect (SKOPE-connect™ compatible)
Electrical	
Current Draw (Amps)	2.0 (includes unit 1.0)
Interior Lighting	1 x 400mm, 4W LED light (door activated)

ReFlex 3 Solid Door GN Compatible Pizza Preparation Fridge



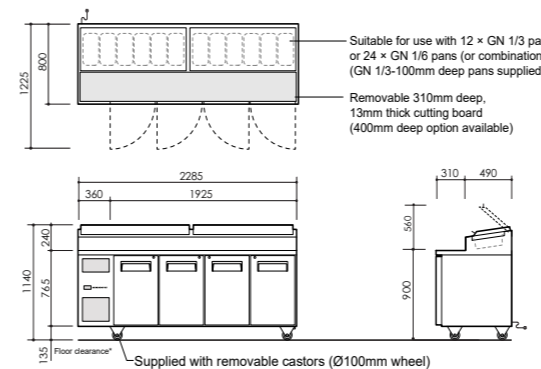
Cabinet	RF8.PPZ.3.SD
Refrigeration Type	Fridge
Doors	3
Door Type	Self-closing, lockable, solid swing doors
Shelves	2 adjustable wire shelves per door + base
Material	304 AISI Stainless Steel
Dimensions (W x D x H mm)	1800 x 800 x 1140
Gross Volume (litres)	523
Floor Area (m ²)	1.44
Weight (kg)	212
Performance	
Max Ambient Temp (°C)	40
Temperature Range (°C)	1°C to 5°C (adjustable with SKOPE-connect 0°C to 15°C)
Climate Class	4M1
Energy Consumption (kWh/24h)	5.45
Annual Running Cost (@ \$0.30/kWh)	\$597 p.a.
Electrical Safety Climate Class	5 (Heavy Duty) 40°C/40%RH
Refrigeration	
Refrigeration Unit	Self-contained, side mounted, removable
Refrigerant / Charge	R290/90g
Controller	SCS Connect (SKOPE-connect™ compatible)
Electrical	
Current Draw (Amps)	3.5 (includes unit 2.2)
Interior Lighting	2 x 400mm, 4W LED light (door activated)

ReFlex 3 Solid Door GN Compatible Salad Preparation Fridge



Cabinet	RF7.PPS.3.SD
Refrigeration Type	Fridge
Doors	3
Door Type	Self-closing, lockable, solid swing doors
Shelves	2 adjustable wire shelves per door + base
Material	304 AISI Stainless Steel
Dimensions (W x D x H mm)	1800 x 700 x 1110
Gross Volume (litres)	357
Floor Area (m ²)	1.26
Weight (kg)	162
Performance	
Max Ambient Temp (°C)	40
Temperature Range (°C)	1°C to 5°C (adjustable with SKOPE-connect 0°C to 15°C)
Climate Class	4M1
Energy Consumption (kWh/24h)	3.58
Annual Running Cost (@ \$0.30/kWh)	\$392 p.a.
Electrical Safety Climate Class	5 (Heavy Duty) 40°C/40%RH
Refrigeration	
Refrigeration Unit	Self-contained, side mounted, removable
Refrigerant / Charge	R290/90g
Controller	SCS Connect (SKOPE-connect™ compatible)
Electrical	
Current Draw (Amps)	2.0 (includes unit 1.0)
Interior Lighting	2 x 400mm, 4W LED light (door activated)

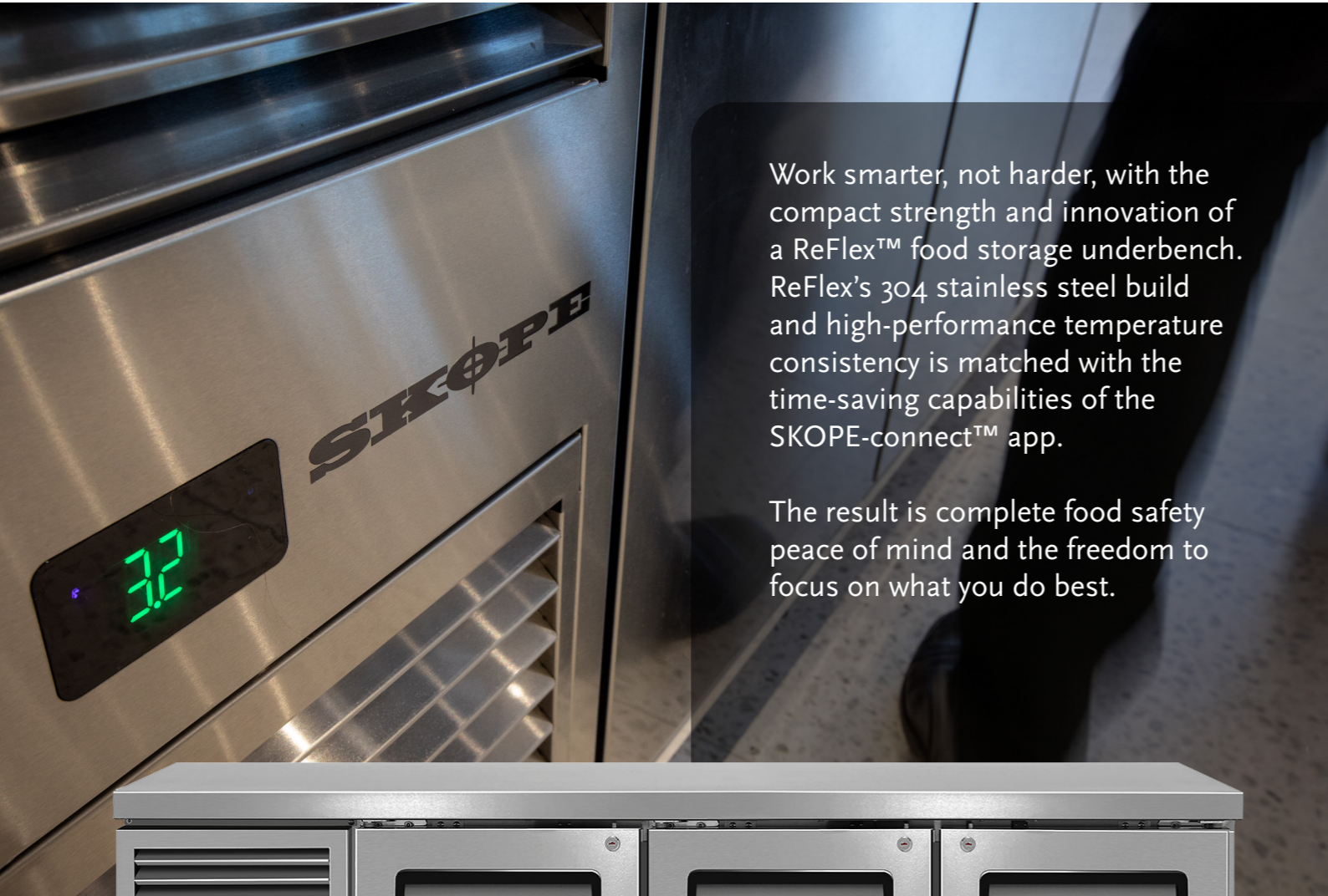
ReFlex 4 Solid Door GN Compatible Pizza Preparation Fridge



Cabinet	RF8.PPZ.4.SD
Refrigeration Type	Fridge
Doors	4
Door Type	Self-closing, lockable, solid swing doors
Shelves	2 adjustable wire shelves per door + base
Material	304 AISI Stainless Steel
Dimensions (W x D x H mm)	2285 x 800 x 1140
Gross Volume (litres)	710
Floor Area (m ²)	1.83
Weight (kg)	233
Performance	
Max Ambient Temp (°C)	40
Temperature Range (°C)	1°C to 5°C (adjustable with SKOPE-connect 0°C to 15°C)
Climate Class	4M1
Energy Consumption (kWh/24h)	5.83
Annual Running Cost (@ \$0.30/kWh)	\$639 p.a.
Electrical Safety Climate Class	5 (Heavy Duty) 40°C/40%RH
Refrigeration	
Refrigeration Unit	Self-contained, side mounted, removable
Refrigerant / Charge	R290/90g
Controller	SCS Connect (SKOPE-connect™ compatible)
Electrical	
Current Draw (Amps)	3.5 (includes unit 2.2)
Interior Lighting	3 x 400mm, 4W LED light (door activated)

ReFlex™ Series

Underbench



Work smarter, not harder, with the compact strength and innovation of a ReFlex™ food storage underbench. ReFlex's 304 stainless steel build and high-performance temperature consistency is matched with the time-saving capabilities of the SKOPE-connect™ app.

The result is complete food safety peace of mind and the freedom to focus on what you do best.



A Powerful Food Safety Barrier

Enjoy the peace of mind that comes with using 304 stainless steel, an ultra-strong material with excellent anti-corrosion protection. Greater resistance to food acids and optimum hygiene makes 304 stainless the benchmark for food applications. We use 304 stainless steel on all surfaces including the seamless workbench.

An Easy-going High Performer

Chill and freeze with extreme temperature consistency throughout the cabinet without paying for it in your power bills. ReFlex™ provides both the power to refrigerate with confidence and market-leading energy efficiency.

An Eco-friendly Solution

Minimise your business's carbon footprint with R290 Hydrocarbon, a natural refrigerant with virtually zero global warming potential.

A Flexible Food Specialist

Menus change and rarely with any thought for the refrigeration required. That's why SKOPE-connect™ lets you change fridge temperature range on-the-go, from your smartphone, so you can minimise tech callouts and unnecessary refrigeration spend when you need to accommodate different food.



ReFlex



Warranty
2 Year Protection



Food Safe
Keeps food below 5°C



Compliance
Independently Verified



SKOPE-connect™



R290 Natural Refrigerant

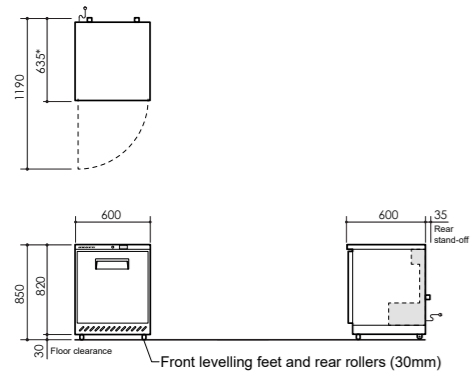
ReFlex 1 Solid Door Underbench Fridge & Freezer



Fridge



Freezer



Cabinet	RF6.UBR.1.SD	RF6.UBF.1.SD
Refrigeration Type	Fridge	Freezer
Doors	1	1
Door Type	Self-closing, lockable, reversible, solid swing door	Self-closing, lockable, reversible, solid swing door
Shelves	2 per door - 1 adjustable, 1 floor mounted	2 per door - 1 adjustable, 1 floor mounted
Material	304 AISI Stainless Steel	304 AISI Stainless Steel
Dimensions (W x D x H mm)	600 x 635 x 850	600 x 635 x 850
Gross Volume (litres)	139	146
Floor Area (m ²)	0.38	0.38
Weight (kg)	50	52
Performance		
Max Ambient Temp (°C)	30	30
Temperature Range (°C)	1°C to 4°C (adjustable with SKOPE-connect 1°C to 15°C)	-21°C to -18°C (adjustable with SKOPE-connect -26°C to -12°C)
GEMS Class	4M1	4L1
GEMS Energy Consumption (kWh/24h)	1.30	4.84
GEMS Annual Running Cost (@ \$0.30/kWh)	\$143 p.a.	\$530 p.a.
Electrical Safety Climate Class	4	4
Refrigeration		
Refrigeration Unit	Self-contained, built-in	Self-contained, built-in
Refrigerant / Charge	R600a/45g	R290/45g
Controller	SCS Connect (SKOPE-connect™ compatible)	SCS Connect (SKOPE-connect™ compatible)
Electrical		
Current Draw (Amps)	1.0	1.5
Interior Lighting	n.a.	n.a.

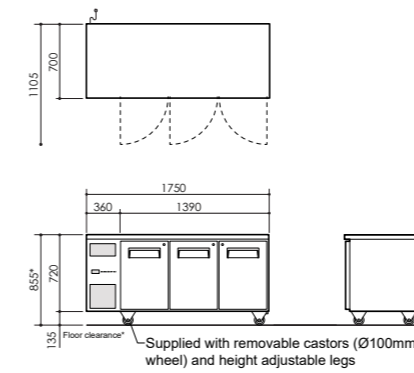
ReFlex 3 Solid Door Underbench GN 1/1 Compatible Fridge & Freezer



Fridge



Freezer



Cabinet	RF7.UBR.3.SD	RF7.UBF.3.SD
Refrigeration Type	Fridge	Freezer
Doors	3	3
Door Type	Self-closing, lockable, solid swing doors	Self-closing, lockable, solid swing doors
Shelves	2 per door - 1 adjustable, 1 floor mounted	2 per door - 1 adjustable, 1 floor mounted
Material	304 AISI Stainless Steel	304 AISI Stainless Steel
Dimensions (W x D x H mm)	1750 x 700 x 855	1750 x 700 x 855
Gross Volume (litres)	387	387
Floor Area (m ²)	1.23	1.23
Weight (kg)	130	136
Performance		
Max Ambient Temp (°C)	40	40
Temperature Range (°C)	1°C to 4°C (adjustable with SKOPE-connect -2°C to 10°C)	-21°C to -18°C (adjustable with SKOPE-connect -26°C to -12°C)
GEMS Class	5M1	5L1
GEMS Energy Consumption (kWh/24h)	2.81	8.39
GEMS Annual Running Cost (@ \$0.30/kWh)	\$308 p.a.	\$919 p.a.
Electrical Safety Climate Class	5 (Heavy Duty) 40°C/40%RH	5 (Heavy Duty) 40°C/40%RH
Refrigeration		
Refrigeration Unit	Self-contained, side mounted, removable	Self-contained, side mounted, removable
Refrigerant / Charge	R290/95g	R290/90g
Controller	SCS Connect (SKOPE-connect™ compatible)	SCS Connect (SKOPE-connect™ compatible)
Electrical		
Current Draw (Amps)	2.0 (includes unit 1.5)	4.0 (includes unit 2.0)
Interior Lighting	2 x 400mm, 4W LED light (door activated)	2 x 400mm, 4W LED light (door activated)

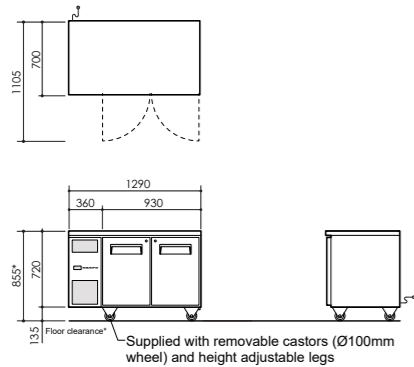
ReFlex 2 Solid Door Underbench GN 1/1 Compatible Fridge & Freezer



Fridge

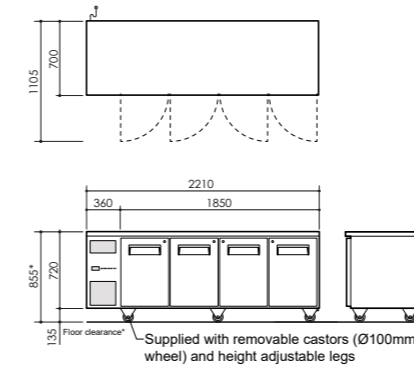


Freezer



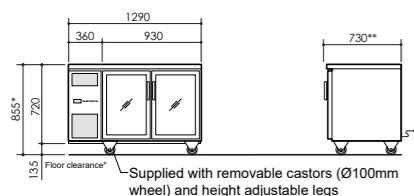
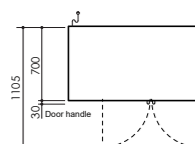
Cabinet	RF7.UBR.2.SD	RF7.UBF.2.SD
Refrigeration Type	Fridge	Freezer
Doors	2	2
Door Type	2 per door - 1 adjustable, 1 floor mounted	2 per door - 1 adjustable, 1 floor mounted
Shelves	4 adjustable height	4 adjustable height
Material	304 AISI Stainless Steel	304 AISI Stainless Steel
Dimensions (W x D x H mm)	1290 x 700 x 855	1290 x 700 x 855
Gross Volume (litres)	248	248
Floor Area (m ²)	0.9	0.9
Weight (kg)	106	112
Performance		
Max Ambient Temp (°C)	40	40
Temperature Range (°C)	1°C to 4°C (adjustable with SKOPE-connect -2°C to 10°C)	-21°C to -18°C (adjustable with SKOPE-connect -26°C to -12°C)
GEMS Class	5M1	5L1
GEMS Energy Consumption (kWh/24h)	1.86	5.67
GEMS Annual Running Cost (@ \$0.30/kWh)	\$204 p.a.	\$621 p.a.
Electrical Safety Climate Class	5 (Heavy Duty) 40°C/40%RH	5 (Heavy Duty) 40°C/40%RH
Refrigeration		
Refrigeration Unit	Self-contained, side mounted, removable	Self-contained, side mounted, removable
Refrigerant / Charge	R290/80g	R290/90g
Controller	SCS Connect (SKOPE-connect™ compatible)	SCS Connect (SKOPE-connect™ compatible)
Electrical		
Current Draw (Amps)	2.0 (include unit 1.5)	4.0 (include unit 2.0)
Interior Lighting	1 x 400mm, 4W LED light (door activated)	1 x 400mm, 4W LED light (door activated)

ReFlex 4 Solid Door Underbench GN 1/1 Compatible Fridge



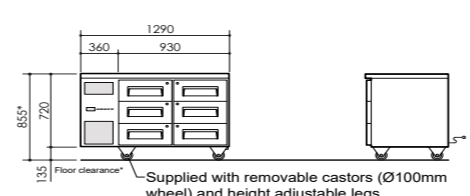
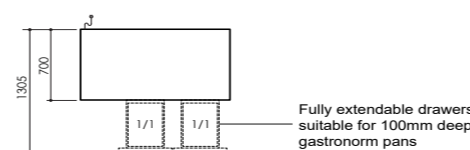
Cabinet	RF7.UBR.4.SD
Refrigeration Type	Fridge
Doors	4
Door Type	Self-closing, lockable, solid swing doors
Shelves	2 per door - 1 adjustable, 1 floor mounted
Material	304 AISI Stainless Steel
Dimensions (W x D x H mm)	2210 x 700 x 855
Gross Volume (litres)	526
Floor Area (m ²)	1.55
Weight (kg)	155
Performance	
Max Ambient Temp (°C)	40
Temperature Range (°C)	1°C to 4°C (adjustable with SKOPE-connect -2°C to 10°C)
GEMS Class	5M1
GEMS Energy Consumption (kWh/24h)	3.77
GEMS Annual Running Cost (@ \$0.30/kWh)	\$413 p.a.
Electrical Safety Climate Class	5 (Heavy Duty) 40°C/40%RH
Refrigeration	
Refrigeration Unit	Self-contained, side mounted, removable
Refrigerant / Charge	R290/95g
Controller	SCS Connect (SKOPE-connect™ compatible)
Electrical	
Current Draw (Amps)	2.0 (includes unit 1.5)
Interior Lighting	3 x 400mm, 4W LED light (door activated)

ReFlex 2 Glass Door Underbench GN 1/1 Compatible Fridge



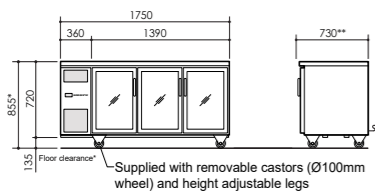
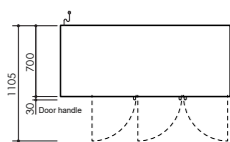
Cabinet	RF7.UBR.2.GD
Refrigeration Type	Fridge
Doors	2
Door Type	Self-closing, lockable, double glazed, double Low-E, glass swing doors
Shelves	2 per door - 1 adjustable, 1 floor mounted
Material	304 AISI Stainless Steel
Dimensions (W x D x H mm)	1290 x 730 x 855
Gross Volume (litres)	248
Floor Area (m ²)	0.94
Weight (kg)	116
Performance	
Max Ambient Temp (°C)	30
Temperature Range (°C)	1°C to 4°C (adjustable with SKOPE-connect 0°C to 15°C)
Climate Class	4M1
Energy Consumption (kWh/24h)	2.39
Annual Running Cost (@ \$0.30/kWh)	\$262 p.a.
Electrical Safety Climate Class	5 (Heavy Duty) 40°C/40%RH
Refrigeration	
Refrigeration Unit	Self-contained, side mounted, removable
Refrigerant / Charge	R290/80g
Controller	SCS Connect (SKOPE-connect™ compatible)
Electrical	
Current Draw (Amps)	2.0 (includes unit 1.5)
Interior Lighting	1 x 400mm, 4W LED light

ReFlex 6 Drawer Underbench GN 1/1 Fridge



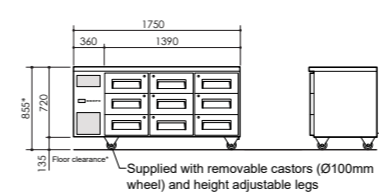
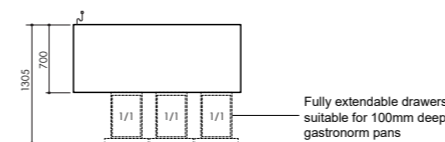
Cabinet	RF7.UBR.2.D6
Refrigeration Type	Fridge
Drawers	6
Drawer Type	Fully extendable and lockable refrigerated stainless steel drawers suitable for GN1/1 pans up to 100mm deep
Material	304 AISI Stainless Steel
Dimensions (W x D x H mm)	1290 x 700 x 855
Gross Volume (litres)	248
Floor Area (m ²)	0.9
Weight (kg)	142
Performance	
Max Ambient Temp (°C)	40
Temperature Range (°C)	1°C to 4°C (adjustable with SKOPE-connect -2°C to 10°C)
GEMS Class	4M1
GEMS Energy Consumption (kWh/24h)	2.37
GEMS Annual Running Cost (@ \$0.30/kWh)	\$260 p.a.
Electrical Safety Climate Class	5 (Heavy Duty) 40°C/40%RH
Refrigeration	
Refrigeration Unit	Self-contained, side mounted, removable
Refrigerant / Charge	R290/80g
Controller	SCS Connect (SKOPE-connect™ compatible)
Electrical	
Current Draw (Amps)	2.0 (includes unit 1.5)
Interior Lighting	n.a.

ReFlex 3 Glass Door Underbench GN 1/1 Compatible Fridge



Cabinet	RF7.UBR.3.GD
Refrigeration Type	Fridge
Doors	3
Door Type	Self-closing, lockable, double glazed, double Low-E, glass swing doors
Shelves	2 per door - 1 adjustable, 1 floor mounted
Material	304 AISI Stainless Steel
Dimensions (W x D x H mm)	1750 x 730 x 855
Gross Volume (litres)	387
Floor Area (m ²)	1.28
Weight (kg)	135
Performance	
Max Ambient Temp (°C)	30
Temperature Range (°C)	1°C to 4°C (adjustable with SKOPE-connect 0°C to 15°C)
Climate Class	4M1
Energy Consumption (kWh/24h)	3.77
Annual Running Cost (@ \$0.30/kWh)	\$413 p.a.
Electrical Safety Climate Class	5 (Heavy Duty) 40°C/40%RH
Refrigeration	
Refrigeration Unit	Self-contained, side mounted, removable
Refrigerant / Charge	R290/95g
Controller	SCS Connect (SKOPE-connect™ compatible)
Electrical	
Current Draw (Amps)	2.0 (includes unit 1.5)
Interior Lighting	2 x 400mm, 4W LED light

ReFlex 9 Drawer Underbench GN 1/1 Fridge



Cabinet	RF7.UBR.3.D9
Refrigeration Type	Fridge
Drawers	9
Drawer Type	Fully extendable and lockable refrigerated stainless steel drawers suitable for GN1/1 pans up to 100mm deep
Material	304 AISI Stainless Steel
Dimensions (W x D x H mm)	1750 x 700 x 855
Gross Volume (litres)	397
Floor Area (m ²)	1.23
Weight (kg)	184
Performance	
Max Ambient Temp (°C)	40
Temperature Range (°C)	1°C to 4°C (adjustable with SKOPE-connect -2°C to 10°C)
GEMS Class	4M1
GEMS Energy Consumption (kWh/24h)	3.27
GEMS Annual Running Cost (@ \$0.30/kWh)	\$358 p.a.
Electrical Safety Climate Class	5 (Heavy Duty) 40°C/40%RH
Refrigeration	
Refrigeration Unit	Self-contained, side mounted, removable
Refrigerant / Charge	R290/95g
Controller	SCS Connect (SKOPE-connect™ compatible)
Electrical	
Current Draw (Amps)	2.0 (includes unit 1.5)
Interior Lighting	n.a.

ReFlex™ Series

Upright



Secure your food on a smaller footprint with the strength and innovation of a ReFlex™ upright storage fridge or freezer.

SKOPE pioneered the upright format, and we've taken everything we know about designing for strength and placed it in these models alongside the same award-winning feature set of ReFlex™ underbench fridges.

A Tower of Strength

To ensure food safety on a small footprint, you need heavy duty structural integrity. And that's what a ReFlex™ upright delivers in the shape of its thick solid-door design and ultra-strong 304 stainless steel construction.

A Design with Pedigree

We know uprights. In fact, you see them everywhere throughout Australasia today because of us. We're also continually improving and moving the goalposts for the market, which is why it pays to avoid imitators.

A Smart Compliance Solution

Streamline and support HACCP compliance with temperature data export from the SKOPE-connect™ app. Simply tap to share via your choice of communications app, from Gmail to WhatsApp. Depending on your local requirements, you may be able to do away with pen and paper altogether!

A Closet with No Skeletons

We've mastered temperature consistency, so you don't have to contend with the temperature variations and pockets that traditionally plague this type of technology. Place food anywhere in your upright and walk away with peace of mind.



ReFlex



Warranty
2 Year Protection



Food Safe
Keeps food below 5°C



Compliance
Independently Verified



SKOPE-connect™



R290 Natural Refrigerant

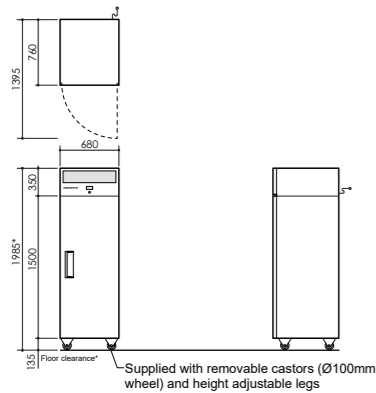
ReFlex Upright 1 Solid Door Fridge & Freezer



Fridge

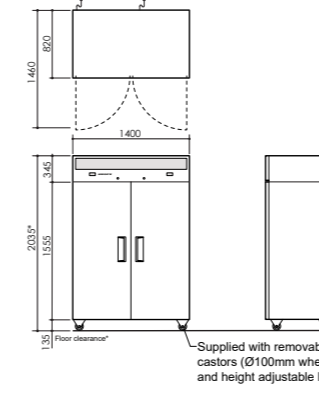


Freezer



Cabinet	RF7.UPR.1.SD	RF7.UPF.1.SD
Refrigeration Type	Fridge	Freezer
Doors	1	1
Door Type	Self-closing, lockable, reversible, solid swing door	Self-closing, lockable, reversible, solid swing door
Shelves	5 adjustable plastic coated wire shelves	5 adjustable plastic coated wire shelves
Material	304 AISI Stainless Steel	304 AISI Stainless Steel
Dimensions (W x D x H mm)	680 x 760 x 1985	680 x 760 x 1985
Gross Volume (litres)	469	469
Floor Area (m ²)	0.52	0.52
Weight (kg)	115	122
Performance		
Max Ambient Temp (°C)	40	40
Temperature Range (°C)	1°C to 4°C (adjustable with SKOPE-connect™ -2°C to 10°C)	-21°C to -18°C (adjustable with SKOPE-connect™ -26°C to -12°C)
GEMS Class	5M1	5L1
GEMS Energy Consumption (kWh/24h)	2.00	7.40
GEMS Annual Running Cost (@ \$0.30/kWh)	\$219 p.a.	\$811 p.a.
Electrical Safety Climate Class	5 (Heavy Duty) 40°C/40%RH	5 (Heavy Duty) 40°C/40%RH
Refrigeration		
Refrigeration Unit	Self-contained, top mounted, removable	Self-contained, top mounted, removable
Refrigerant / Charge	R290/70g	R290/94g
Controller	SCS Connect (SKOPE-connect™ compatible)	SCS Connect (SKOPE-connect™ compatible)
Electrical		
Current Draw (Amps)	2.0 (includes unit 1.5)	4.0 (includes unit 3.9)
Interior Lighting	1 x 1200mm, 12W LED light (door activated)	1 x 1200mm, 12W LED light (door activated)

ReFlex 2 Solid Door Upright GN 2/1 Compatible Fridge & Freezer Combo



Cabinet	RF8.UPC.2.SD
Refrigeration Type	Fridge & Freezer Combo
Doors	2
Door Type	Self-closing, lockable, solid swing doors
Shelves	5 adjustable plastic coated wire shelves per door
Material	304 AISI Stainless Steel
Dimensions (W x D x H mm)	1400 x 820 x 2035
Gross Volume (litres)	517 x 2
Floor Area (m ²)	1.15
Weight (kg)	227
Performance	
Max Ambient Temp (°C)	40
Temperature Range (°C)	Fridge: 1°C to 4°C (adjustable with SKOPE-connect™ -2°C to 10°C) Freezer: -21°C to -18°C (adjustable with SKOPE-connect™ -26°C to -12°C)
GEMS Class	5M1 & 5L1
GEMS Energy Consumption (kWh/24h)	9.36
GEMS Annual Running Cost (@ \$0.30/kWh)	\$1,026 p.a.
Electrical Safety Climate Class	5 (Heavy Duty) 40°C/40%RH
Refrigeration	
Refrigeration Unit	2 x self-contained, top mounted, removable
Refrigerant / Charge	Fridge: R290/70g Freezer: R290/95g
Controller	SCS Connect (SKOPE-connect™ compatible)
Electrical	
Current Draw (Amps)	6.0 (includes units 1.5 & 3.9)
Interior Lighting	2 x 1200mm, 12W LED light (door activated)

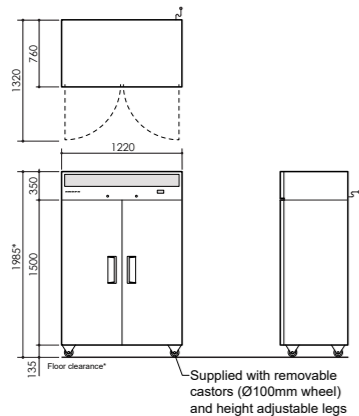
ReFlex Upright 2 Solid Door Fridge & Freezer



Fridge



Freezer



Cabinet	RF7.UPR.2.SD	RF7.UPF.2.SD
Refrigeration Type	Fridge	Freezer
Doors	2	2
Door Type	Self-closing, lockable, solid swing doors	Self-closing, lockable, solid swing doors
Shelves	5 adjustable plastic coated wire shelves per door	5 adjustable plastic coated wire shelves per door
Material	304 AISI Stainless Steel	304 AISI Stainless Steel
Dimensions (W x D x H mm)	1220 x 760 x 1985	1220 x 760 x 1985
Gross Volume (litres)	0.93	0.93
Floor Area (m ²)	1.59	1.71
Weight (kg)		
Performance		
Max Ambient Temp (°C)	40	40
Temperature Range (°C)	1°C to 4°C (adjustable with SKOPE-connect™ -2°C to 10°C)	-21°C to -18°C (adjustable with SKOPE-connect™ -26°C to -12°C)
GEMS Class	5M1	5L1
GEMS Energy Consumption (kWh/24h)	3.91	10.64
GEMS Annual Running Cost (@ \$0.30/kWh)	\$428 p.a.	\$1,165 p.a.
Electrical Safety Climate Class	5 (Heavy Duty) 40°C/40%RH	5 (Heavy Duty) 40°C/40%RH
Refrigeration		
Refrigeration Unit	Self-contained, top mounted, removable	Self-contained, top mounted, removable
Refrigerant / Charge	R290/90g	R290/105g
Controller	SCS Connect (SKOPE-connect™ compatible)	SCS Connect (SKOPE-connect™ compatible)
Electrical		
Current Draw (Amps)	2.0 (includes unit 1.5)	5.0 (includes unit 4.6)
Interior Lighting	2 x 1200mm, 12W LED lights (door activated)	2 x 1200mm, 12W LED lights (door activated)

ProSpec™ Series

Upright

Complement your high-performance culinary kitchen with premium gastronorm 2/1 food storage refrigeration that is just as results driven as you are.

Designed for professionals that need the best of the best, ProSpec™ utilises SKOPE's powerful ActiveCore™ technology and incorporates a minimalist, design-led aesthetic.

A Specifier's Dream

ProSpec™ is for the hospitality professionals, chefs, and restaurateurs who wonder what the best looks like. With full GN2/1 stainless steel shelving, it represents the ultimate in hygiene, durability, and performance. ProSpec™ is the food storage fridge that will never feel out of place in the best kitchens in the world.

A Minimalist Outlook

We take pride in our work, right down to the smallest visual detail. We also think kitchen professionals deserve to be surrounded by equipment that isn't just functional, but aesthetically pleasing and potentially ageless.

An ActiveCore™ Food Storage Solution

ProSpec is unique in that it's the only food storage fridge in the world that takes advantage of ActiveCore™ technology. The highest performance, the lowest power bills, and the easiest maintenance interchangeable cartridge system – but only in ProSpec.

An Ethical Choice

Where you go, others follow. You need to set an example, especially when it comes to your business's carbon footprint. That's why ProSpec™ uses R290 Hydrocarbon, a natural refrigerant with virtually zero global warming potential.

Stainless steel removeable gastronorm racking system



ProSpec



Warranty
5 Year Protection



Food Safe
Keeps food below 5°C



Compliance
Independently Verified



SKOPE-connect™

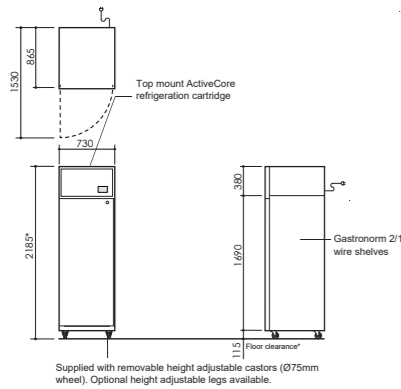


R290 Natural Refrigerant



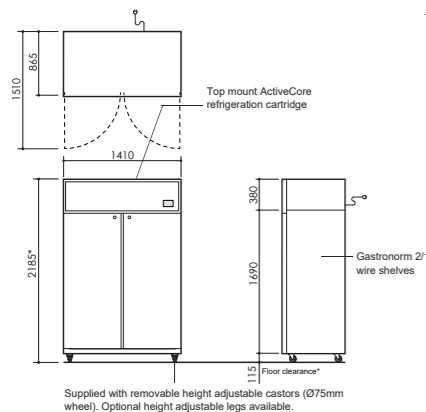
ActiveCore Technology
Interchangeable cartridge

ProSpec 1 Solid Door Upright GN 2/1 Fridge



Cabinet		PG21.UPR.1.SD
Refrigeration Type	Fridge	
Doors	1	
Door Type	Self-closing, lockable, solid swing door with stay-open position at over 90°	
Shelves	5 stainless steel GN 2/1 adjustable wire shelves on a fully removable and cleanable racking system	
Material	304 AISI Stainless Steel	
Dimensions (W x D x H mm)	730 x 865 x 2185	
Gross Volume (litres)	572	
Floor Area (m ²)	0.63	
Weight (kg)	150	
Performance		
Max Ambient Temp (°C)	40	
Temperature Range (°C)	1°C to 4°C (adjustable via SKOPE-connect 1°C to 15°C)	
GEMS Class	5M1	
GEMS Energy Consumption (kWh/24h)	2.20	
GEMS Annual Running Cost (@ \$0.30/kWh)	TBC	
Electrical Safety Climate Class	5 (Heavy Duty) 40°C/40%RH	
Refrigeration		
Refrigeration Unit	Self-contained top mounted, removeable	
Refrigerant / Charge	R290/99g	
Controller	SCS Connect (SKOPE-connect™ compatible)	
Electrical		
Current Draw (Amps)	3.0 (includes unit 2.6)	
Interior Lighting	1 x 1400mm, 16W LED light (door activated)	

ProSpec 2 Solid Door Upright GN 2/1 Fridge



Cabinet		PG21.UPR.2.SD
Refrigeration Type	Fridge	
Doors	2	
Door Type	Self-closing, lockable, solid swing doors with stay-open position at over 90°	
Shelves	5 stainless steel GN 2/1 adjustable wire shelves per door on a fully removable and cleanable racking system	
Material	304 AISI Stainless Steel	
Dimensions (W x D x H mm)	1410 x 865 x 2185	
Gross Volume (litres)	1266	
Floor Area (m ²)	1.21	
Weight (kg)	230	
Performance		
Max Ambient Temp (°C)	40	
Temperature Range (°C)	1°C to 4°C (adjustable via SKOPE-connect 1°C to 15°C)	
GEMS Class	5M1	
GEMS Energy Consumption (kWh/24h)	4.2	
GEMS Annual Running Cost (@ \$0.30/kWh)	TBC	
Electrical Safety Climate Class	5 (Heavy Duty) 40°C/40%RH	
Refrigeration		
Refrigeration Unit	Self-contained top mounted, removeable	
Refrigerant / Charge	R290/99g	
Controller	SCS Connect (SKOPE-connect™ compatible)	
Electrical		
Current Draw (Amps)	3.0 (includes unit 2.6)	
Interior Lighting	2 x 1400mm, 16W LED light (door activated)	

SKOPE Funding

Enjoy Peace of Mind with a Tailored Ownership Plan

Own Me - Ownership Plan

- ✓ Free up cashflow
- ✓ Extend your warranty protection
- ✓ Annual planned maintenance included
- ✓ Flexible term, choice of 1 - 5 years
- ✓ Affordable monthly payments
- ✓ No end of term balloon or residual payment
- ✓ Ownership at end of term
- ✓ Load your balance sheet and claim depreciation, and GST

Quick & Easy Application



Apply Now Online
skope.com/funding



By Phone
AU 1800 121 535
NZ 0800 947 5673



By Email
skopelifunding@skope.com

Head Office

New Zealand
SKOPE Industries Limited
57 Princess Street
PO Box 1091
Christchurch 8140
New Zealand
International Tel: +64 (3) 983 3800

Customer Services

Australia
Freephone: 1800 121 535
Email: skope@skope.com

New Zealand
Freephone: 0800 947 5673
Email: skope@skope.com

skope.com