

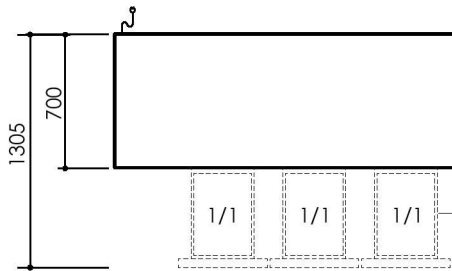
# specifications

## RF7.UBR.3.D9

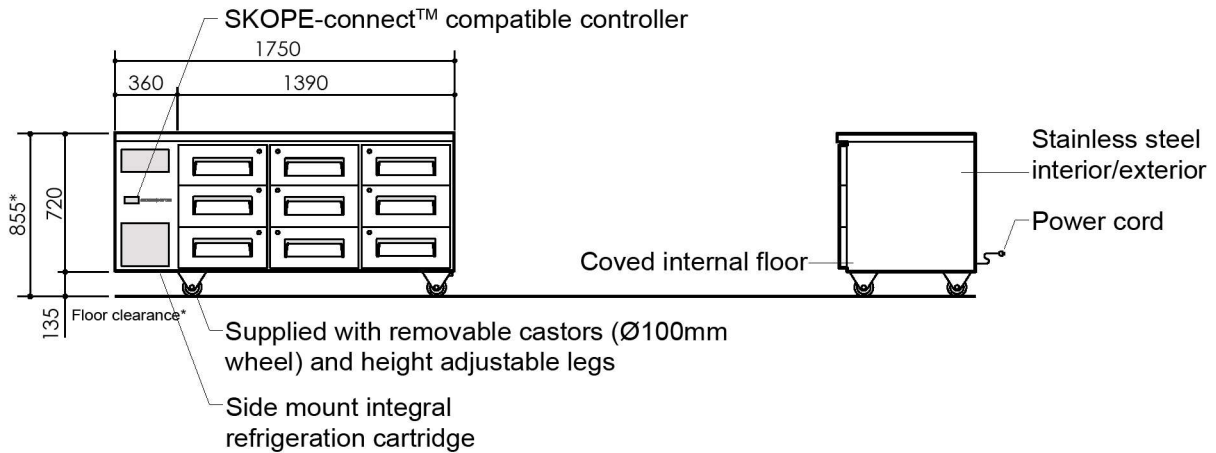
ReFlex Series, 9 Drawer, Underbench Fridge

Project: \_\_\_\_\_

Item No: \_\_\_\_\_



Fully extendable drawers suitable for 100mm deep gastronorm pans



Supplied with removable castors (Ø100mm wheel) and height adjustable legs

Side mount integral refrigeration cartridge

### CABINET

Drawers	9 × fully extendable, refrigerated, stainless steel drawers with individual key locks. 3-banks of full drawers including stainless steel sheet base and sides. Fits GN1/1, 100mm deep pan as an insert (supplied separately).
Shelves	n.a.
Worktop	Total thickness 45mm (0.7mm 304 AISI stainless steel over insulating cyclopentane foamed core)
Material	304 AISI stainless steel interior and exterior

### PERFORMANCE

Max. ambient temp.	40°C
Temperature range	1°C to 4°C (adjustable with SKOPE-connect -2°C to 10°C)
GEMS class	4M1
GEMS energy consumption	3.27 kWh/24h
GEMS annual running cost	\$358 p.a. (@ \$0.30/kWh)

### ELECTRICAL

Electrical safety climate class	5
Interior lighting	n.a.
Power cord	Supplied with 2.6m, 10 Amp plug and lead
Power supply	220-240 Volts a.c. 50 Hz, single phase supply
Current draw	2.0 Amps (includes unit 1.5 Amps)

### REFRIGERATION

Controller	SCS Connect (SKOPE-connect™ compatible)
Connectivity interface	Bluetooth® wireless technology
Refrigeration system	Side mounted, integral, removable refrigeration cartridge (part number ULKCNI-0041)
Refrigerant	R290 / 95g (natural refrigerant)
Nominal capacity	650 Watts
Heat rejection (Avg/peak)	135 Watts/150 Watts
Drainage	No plumbing required

### DIMENSIONS

	External	Internal
Height	855mm*	570mm
Width	1750mm	1280mm
Depth	700mm	530mm
Floor area	1.23m <sup>2</sup>	
Weight	184kg	
Gross volume	397L	
Net volume	136L	

\* With supplied castors fitted. See height variation below

#### Height variation

Supplied castors	855mm
Supplied height adjustable legs	865mm - 905mm
No castors or legs	720mm

#### Dimensional tolerances

Before installing this cabinet allow the following dimensional tolerances:

Linear dimensions	Overall cabinet dimensions	
Less than 1 metre	±5mm	
More than 1 metre	-5mm to +10mm	
	Length of multiple cabinets	
	At each joint	At each end wall
Less than 1 metre	±5mm	+15mm
More than 1 metre	-5mm to +10mm	+15mm

#### Ventilation requirements

Top	Not required
Sides	Not required
Back	Not required
Bottom	Not required

SKOPE Industries Limited reserve the right to alter specifications without notice. Copyright © 2020

### SKOPE INDUSTRIES LIMITED

Australian Freephone: 1800 121 535, New Zealand Freephone: 0800 947 5673

Email: skope@skope.com, Website: www.skope.com

PSS0672 Rev. 2.1 Aug. 2020