



# PARAMOUNT

## Retarder Prover - Reach In

**Bakery**



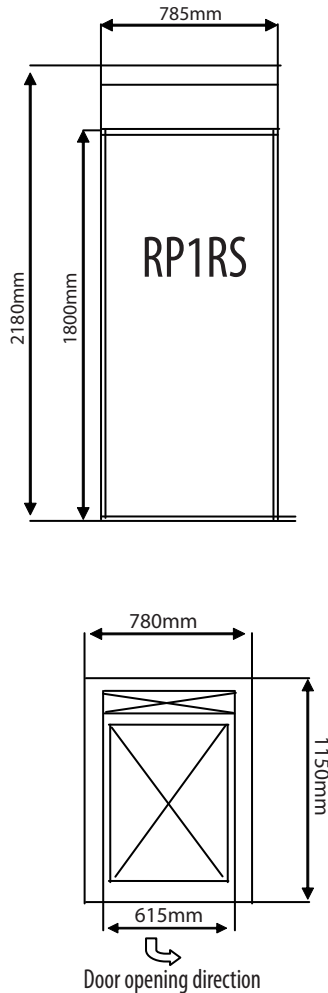
### Features & Benefits



- Retarder prover control features a staged recovery cycle
- Easy to operate digital control panel
- Fitted with quality European Refrigeration unit
- Fitted on wheels as standard
- 304 grade stainless steel construction internal & external
- 18 tray slides, 80mm gap
- Removable tray slides to suit trays 460mm x 760mm

## PARAMOUNT Retarder Prover - Reach In

### TECHNICAL DATA



Internal View

Model	Dimensions	Power
RP1RS	785mm W x 1150mm D x 2180mm H	Single phase, 240V, 50Hz, 15 amp

**NOTE:** Dimensions EXCLUDE all protrusions - door handles, drain exits etc.  
Minimum Ceiling Height required - 2600mm



Digital Control Panel

**PLEASE NOTE:** Units requires the following:

- Drain Outlet
- 1/2" BSP Inlet

In line with policy to continually develop and improve its products, Moffat reserves the right to change specifications and design without notice.

#### National Sales Hotline

Toll Free 1800 023 953

#### Melbourne

740 Springvale Road  
Mulgrave, Victoria 3170  
Telephone (613) 9518 3888  
Facsimile (613) 9518 3833  
Email: vsales@moffat.com.au

#### Sydney

Telephone (612) 8833 4111  
Facsimile (612) 8833 4122  
Email: nswsales@moffat.com.au

#### Perth

Telephone (618) 9202 6820  
Email: vsales@moffat.com.au

#### Adelaide

Telephone 1800 023 953  
Facsimile (613) 9518 3833  
Email: vsales@moffat.com.au

#### Brisbane

Telephone (617) 3630 8600  
Facsimile (617) 3630 8623  
Email: qldsales@moffat.com.au

#### Christchurch, New Zealand

Telephone (643) 389 1007  
Facsimile (643) 389 1276  
Email: sales@moffat.co.nz  
Web: www.moffat.co.nz

#### Auckland, New Zealand

Telephone (649) 574 3150  
Facsimile (649) 574 3159  
Email: sales@moffat.co.nz  
Web: www.moffat.co.nz

#### National 24 Hour Service Hotline

(Australia Wide)  
Toll Free 1800 622 216

#### Replacement Parts

(Australia Wide)  
Toll Free 1800 337 963

