

# Serene Series

## General Display

Upright fridges

Reliable value

Versatile food and drinks fridges. These glass door fridges are excellent value for money, designed to suit your everyday commercial refrigeration needs.



HB80-2



SC400



SC112 (4 sided glass)

Standard finishes: HB80-2 - White, SC400 - White/black, SC112 - Black

Standard models: 1 & 2 glass door



Warranty  
1 year protection



High Efficiency  
Major Energy Savings

Best Suited to:



Restaurants / Cafés



Quick Service  
Restaurants



Clubs / Pubs / Bars



Hospitality Venues



Accommodation



Medical / Aged Care



Schools



Convenience Stores

# Quick Guide

## Serene Series

Good build quality	✓
Reliable & dependable	✓
Display & store food & drinks	✓
Practical everyday needs	✓

## Standard Features

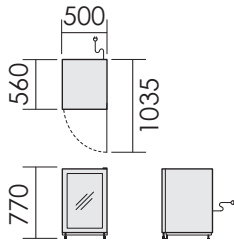
Compact Design	Flexible locations
Energy efficient LED internal lighting	Ideal for merchandising products
SC112 (four sided glass)	Maximise impulse sales

## Benefits

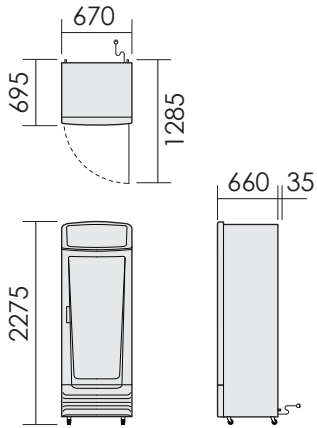
Specifications	HB80-2	SC400	SC112
Fridge/Freezer - doors	1 Door	1 Door	2 Door
Self Contained/Remote	Self Contained	Self Contained	Self Contained
Model ID	HB80-2	SC400	SC112
<b>External</b>			
Dimensions (W x D x H mm)	500 x 560 x 770	670 x 695 x 2275	470 x 470 x 1080
Total floor area (m <sup>2</sup> )	0.28	0.47	0.22
Weight (kg)	38	112	55
Door (solid/glass)	Glass	Glass	Glass
Electronic controller	N/A	N/A	CAREL Eco Box
Remote available	No	No	No
Breathes from / Expels air to	Front/Back	Front/Back	Front/Back
Sign	No	Yes	Yes
Cabinet construction	White	White / Black	Black
Drainage (plumbing required)	No	No	No
<b>Internal</b>			
Gross volume (litres)	80	396	109
Lighting	1 x LED strip	1 x LED strip	4 x LED strip
No. of shelves (per door)	2	4	3
Shelf design	Plastic Coated Wire	Plastic Coated Wire	Chrome Wire
Total shelf area (m <sup>2</sup> )	0.29	0.87	0.38
<b>Performance</b>			
MEPS category (M1-food & drinks, M2-drinks)	M2	M1	M1
MEPS efficiency (kWh/24h/m <sup>2</sup> ) @ Climate Class 3	7.41	9.64	4.73
Temperature range	1°C to 4°C	2°C to 5°C	1°C to 4°C
TEC (kWh/24h) @ Climate Class 3	3.06	3.92	3.27
High efficiency model	No	Yes	Yes
Maximum ambient temperature*	32°C	32°C	32°C
Climate Class rating	4	4	3
Refrigerant / Charge	R600 / 26g	R134a / 300g	R134a / 135g
Total display area (m <sup>2</sup> )	0.20	0.41	0.69
<b>Electrical</b>			
Electrical power (kW)	0.26	0.72	0.29
Current draw (Amps)	0.9	3	1.2
10 Amp 3 pin plug	Yes	Yes	Yes
Light switch on controller	No	Separate	Yes

## Line Drawings

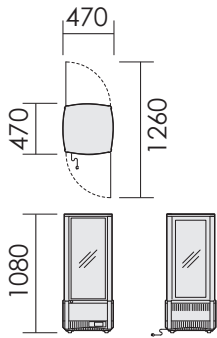
**HB80-2**



**SC400**



**SC112**



Ventilation required.

The product information presented is for guideline purposes only. Always refer to the latest product specification sheet for accuracy and detail, and allow for dimensional tolerances (see glossary).