

# SILO



## S220

Ice Bin for Modular Ice Machines

SKOPE®

ITV  
ICE makers

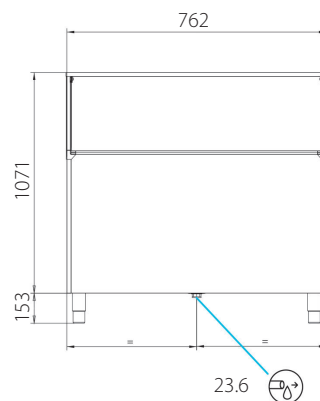
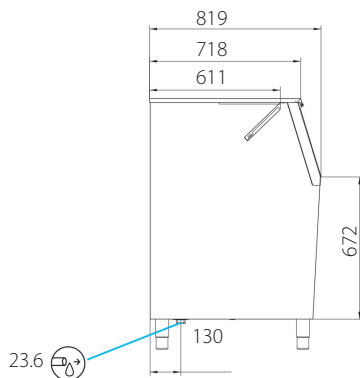


### Features



- 230kg ice storage capacity
- Strong solid AISI 304 stainless steel box-type frame
- Very hard sanitary polyethylene vat, resistant to blows and scratches
- Easy cleaning design: seamless one-piece vat with rounded corners, avoiding possible dirty points and facilitating cleaning
- Drainage system that collects and drives the water to the drain keeping the bin clean and dry

### Machine Specifications



|                             |                    |
|-----------------------------|--------------------|
| <b>Machine dimensions</b>   | 762 x 819 x 1071mm |
| <b>Packed dimensions</b>    | 850 x 890 x 1210mm |
| <b>Weight</b>               | 56kg               |
| <b>Floor area</b>           | 0.92m <sup>2</sup> |
| <b>Storage bin capacity</b> | 230kg              |

### Supplied Accessories



Water Inlet  
Hose



Drain Hose



Drainage  
Elbow



Large  
Scoop



4 Height  
Adjustable  
Leg Kit

### Water Filter

A Watermark approved\* water filter, suitable for the water type at the place of installation must be used. SKOPE can provide a water filter that protects the Ice Maker, and ensures proper function and high quality ice production. Service or repair due to absence of a suitable water filter will not be covered by SKOPE warranty. Contact SKOPE for more information.

\*Watermark approval is only applicable to Australian installations. Elsewhere, a suitable water filter must be used