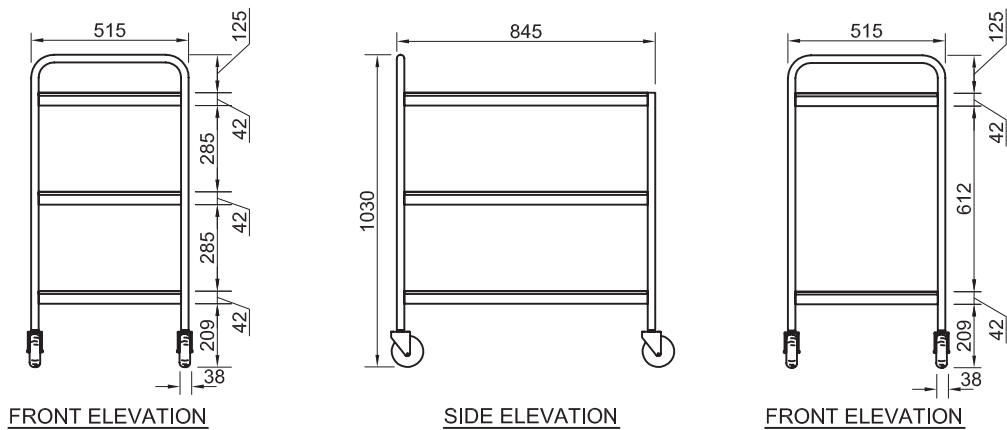


Product Information:

- Extra strong 1.2mm thick stainless steel tops
- Fully welded, 40mm upturned safe edge around each shelf
- 760mm x 460mm shelf size
- 100mm diameter castors (all swivel) with 2 lockable
- 25mm diameter round stainless steel tube frame, 1.2mm thick
- Supplied fully assembled



General Drawing:



Specifications:

SS14 800mm x 550mm x 900mm

SS15 800mm x 550mm x 900mm

Due to continuous product research and development, the information contained herein is subject to change without notice.

Revision: A - 25/06/2021