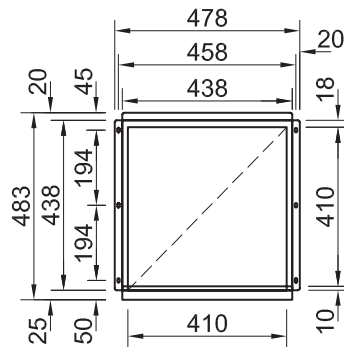


Product Information:

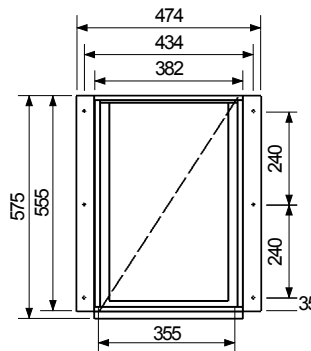
- 1.2mm thick stainless steel
- 6 pre-drilled holes around upper rim for direct fitting to Simply Stainless benches with pre-welded stud on underside (products 01, 02, 03 & 18) or other benchtops made to suit
- Unique lock and key supplied as standard on every drawer (not included on GN model)
- Drawer size - 410 x 410 x 125mm
- Model 19.0300 will rest on under-shelf
- Suits benches 600mm long and larger



General Drawing:



Standard Drawer
PLAN



GN Drawer
PLAN

Specifications:

| | |
|------------------|-----------------------|
| SS19.0100 | 410mm x 450mm x 210mm |
| SS19.0200 | 410mm x 450mm x 450mm |
| SS19.0300 | 410mm x 450mm x 750mm |
| | |
| SS19.GN | 385mm x 580mm x 235mm |

Due to continuous product research and development, the information contained herein is subject to change without notice.

Revision: A - 12/03/2021

www.stoddart.com.au

www.stoddart.co.nz