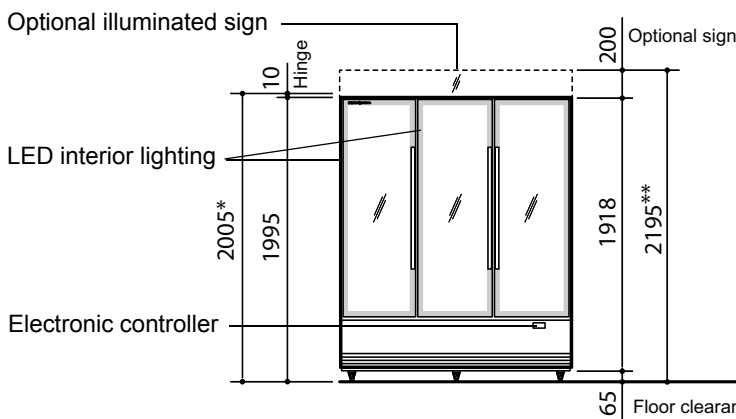
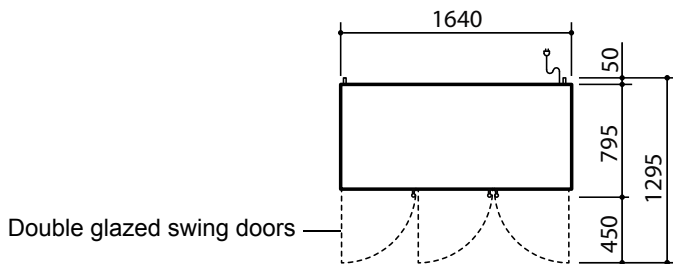


specifications

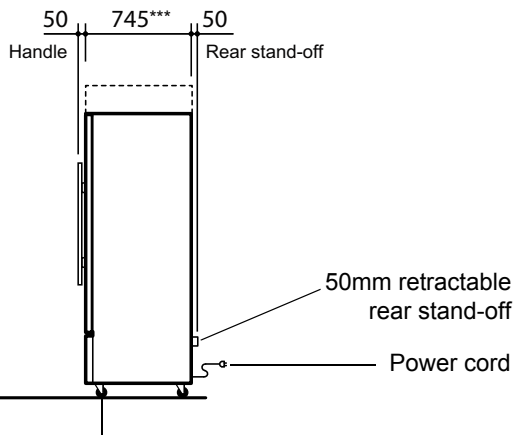
BME1500-A Series

Bottom Mount ActiveCore
Three Door Upright Chiller



| | External | Internal |
|--------------------|---|----------|
| Height: | 2005mm* / 2195mm** | 1454mm |
| Width: | 1640mm | 1540mm |
| Depth: | 795mm | 602mm |
| Floor area: | 1.34m ² (includes door handle) | |

* Height 2005mm without sign (model BME1500-A)
** Height 2195mm with sign (model BME1500-AC)
*** Depth 745mm excludes removable door handle, door lock bracket and rear stand-off.



6 × 100mm high swivel castors (2 front lockable)

Copyright © 2016 SKOPE Industries Limited

| GENERAL SPECIFICATIONS | |
|-----------------------------|--|
| Temperature range | 1°C to 4°C (adjustable up to 15°C) |
| Climate class | 5 (Tested at 43°C) |
| Doors | Lockable, self-closing, reversible, double glazed, single Low-E, argon filled, toughened safety glass swing doors (hinged LH, LH, RH) |
| Internal Volume | 1433 litres |
| Interior lighting | 2 × 20W T8 LED tube (Ø26mm × 1350mm) side lights and 1 × 20W (1400mm) LED module strip pillar light |
| Shelves | 12 adjustable height wire shelves: 490 wide × 520 deep (4 each side), 540 wide × 520 deep (4 middle) plus 3 stainless steel bottom shelves: 485 wide × 515 deep (side), 545 wide × 515 deep (middle) |
| Power supply | 220-240 Volts a.c. 50 Hz, single phase supply. Supplied with 10 Amp 3-Pin plug |
| Current draw | 4.8 Amps (includes unit 4.0 Amps) |
| Refrigeration system | Removable ActiveCore bottom mount refrigeration unit (UBHCCI-0003) |
| Refrigerant | R134a / 475g |
| Nominal capacity | 1000 Watts |
| Controller | Carel S4 electronic controller |
| Drainage | No plumbing required |
| Weight | 330 kg |

| INDIVIDUAL SPECIFICATIONS | | |
|---------------------------|-----------|--------------------------------------|
| Model | BME1500-A | BME1500-AC |
| Part number | SM15GV | SM15BV |
| Sign | No sign | 200mm high illuminated sign |
| Sign lighting | n.a. | 1 × 22W T8 LED tube (Ø26mm × 1500mm) |

SKOPE Industries Limited reserve the right to alter specifications without notice.

PSS0469 Rev. 2.0 Apr. 2017



SKOPE INDUSTRIES LIMITED

Australian Freephone: 1800 121 535, New Zealand Freephone: 0800 947 5673

Email: skope@skope.co.nz, Website: www.skope.com

