

specifications

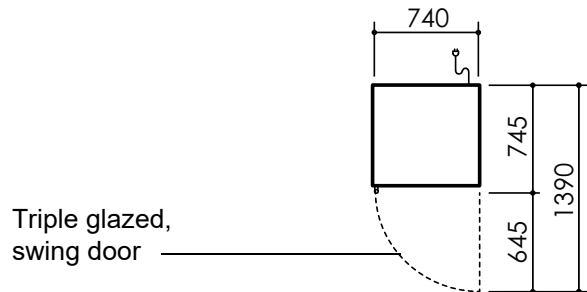
VF650X-ICE

Top Mount One Door Ice Storage Cabinet
Type: LT65IY

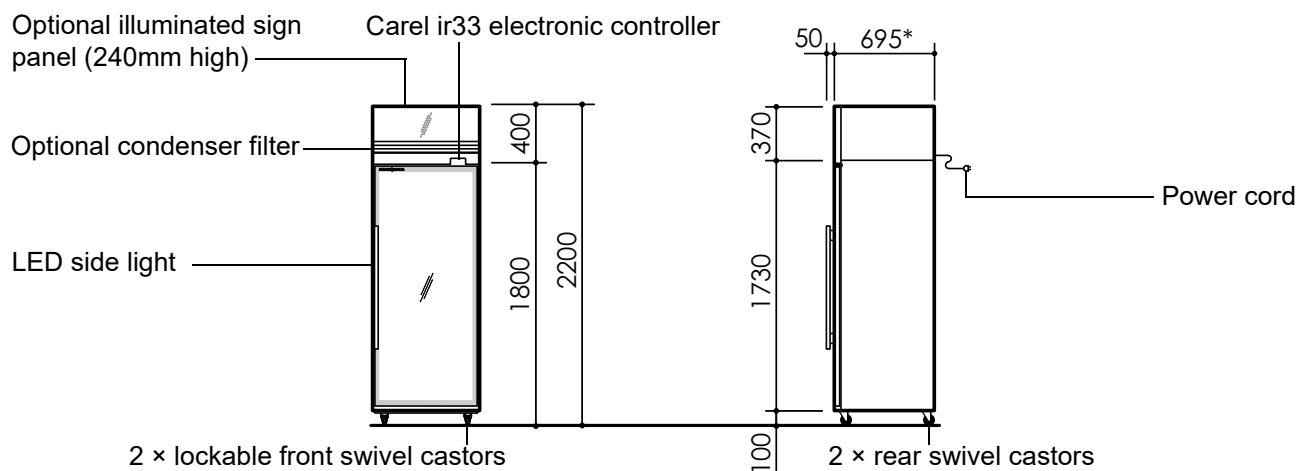
CABINET DIMENSIONS

	External	Internal
Height:	2200mm	1570mm
Width:	740mm	640mm
Depth:	745mm	554mm
Floor area:	0.55m ²	

* Excludes removable door handle and lock bracket



Triple glazed,
swing door



Copyright © 2017 SKOPE Industries Limited

GENERAL SPECIFICATIONS

Temperature range	-9°C to -12°C
Climate class	4. Tested at 32°C
Doors	1 × self-closing, triple glazed, heated, argon filled, toughened safety glass swing door (hinged RH)
Internal Volume	610 litres
Weight	196 kg
Shelves	1 × heavy duty ice shelf: 625mm wide × 467mm deep
Power supply	220-240 Volts a.c. 50 Hz, single phase supply. Supplied with 10 Amp 3-Pin plug
Current draw	7.5 Amps.
Refrigeration system	Top mounted SKOPE Cyclone freezer unit with electronic controller (UF40ACD) (5.3 Amps)
Refrigerant	R404A / 700g
Nominal capacity	1303 Watts @ -20°C evaporator, 50°C condenser
Electronic controller	CAREL ir33 electronic controller
Drainage	No plumbing required
Internal lighting	1 × 20 Watt 1400mm LED strip side light
Sign	Replacement sign panel. Optional lit sign available with 1 × 11 Watt 600mm T8 LED tube

SKOPE Industries Limited reserve the right to alter specifications without notice.

PSS0482 Rev. 1.0 Feb. 2017



SKOPE INDUSTRIES LIMITED



New Zealand Freephone: 0800 947 5673, Fax: (03) 983 3896. Australian Freephone: 1800 121 535, Freefax: 1800 121 533

Email: enquiry@skope.co.nz Website: www.skope.co.nz