

SPG405MAU

ECOLINE UNDERBENCH GLASSWASHER - 1.5 AMP

400x400 mm basket, with adapter for 17"x14" basket (included)



SMEG ECOLINE PROFESSIONAL DISHWASHERS

Guaranteed wash performance, every time.

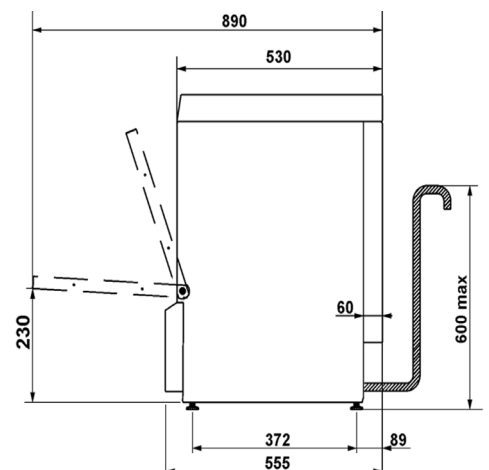
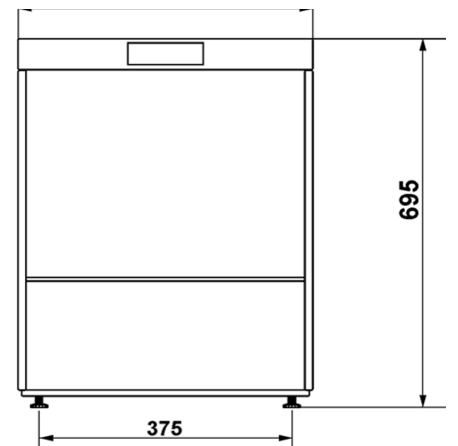
In commercial dishwashers, the rinse is the most important part of the wash cycle, as it is the only one performed with clean water. This is the reason why, at Smeg, we believe all commercial dishwashers must have **a rinse pump on board**, the only way to guarantee that optimal and constant pressure and temperature are maintained throughout the rinse cycle.

We believe in our quality.

All dishwashers are manufactured in our state of the art factory in Italy, where we monitor all phases of design, engineering and production. We believe in our quality and this is the reason why we are pleased to offer **Extended Warranty** on our Ecoline dishwasher range.

PRODUCT FEATURES

- Construction in AISI 304 stainless steel
- Moulded rack guides
- **HTR (High Temperature Rinse) system with atmospheric boiler and rinse pump**
- 2.3 litres water rinse cycle
- Approximately 30% water exchange every cycle
- Drain pump with triple stage dynamic filtration system
- Door opening height: 330mm
- Electronic controls with 3 wash programs
- Shortest wash program 90 seconds
- Soft start wash pump
- Automatic self-cleaning cycle
- Shut-off at the end of drain cycle
- Thermostop system to ensure correct rinse temperature
- Adjustable peristaltic pumps for detergent and rinse-aid injection
- Self-diagnostic system with error messages
- 4 x 150mm legs (included)
- 1.5 Amp plug
- **24 months parts and labour warranty**



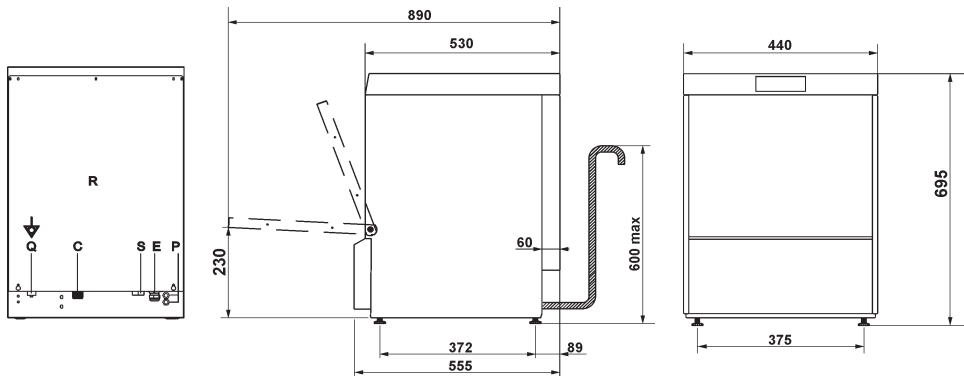
SPG405MAU

ECOLINE UNDERBENCH GLASSWASHER - 1.5 AMP

400x400 mm basket, with adapter for 17"x14" basket (included)

TECHNICAL SPECIFICATIONS

Dimensions (mm) (WxDxH)	440x530x695	Minimum supply pressure (bar)	2.5
Basket (mm)	400x400	Drain pump	Yes
Door clearance (mm)	330	Rinse aid pump	Peristaltic
Type of interface	electronic	Detergent pump	Peristaltic
Door/hood structure	double skinned insulated	Programme 1 (sec)	90*
Supplied water temperature (°C)	50° to 60°	Programme 2 (sec)	150*
Tank volume (litres)	8	Programme 3 (sec)	240*
Tank resistance (W)	1,400	Special programmes	Total renewal of the water inside the tank
Filtering system	Tank filter + selective filter		Extra rinse
Boiler volume (litres)	4	Thermostop	Self-cleaning
Boiler heating element (W)	2,700	Total power (W)	Yes
Wash pump (W)	290	Electrical connection	3,000
Tank temperature (°C)	60°	Basket number	Single Phase 15A
Rinse pump	Yes	dishes	-
Rinse temperature (°C)	85°	universal / glasses	2 x PB40G01
Adjustable temperatures	Yes	cutlery	1 x PHOOS01
Water consumption (litres/cycle)	2.3		



R	Pannello retro	Lower back panel
Q	Morsetto equipotenziale	Earth terminal
C	Tubo di carico	Filler hose
S	Tubo di scarico	Drain hose
P	Tubi pompe peristaltiche	Peristaltic hoses
E	Cavo alimentazione elettrica	Electricity supply cable

* Supplied water temperature >50°C and < 60°C and three-phase electrical connection whenever possible



UNI EN ISO 9001
9130-Smeg

UNI EN ISO 14001
9191-SME2

OHSAS 18001
9192-SME3