



Twist60, Twist90, Twist130 Spiral Mixers

Product Features

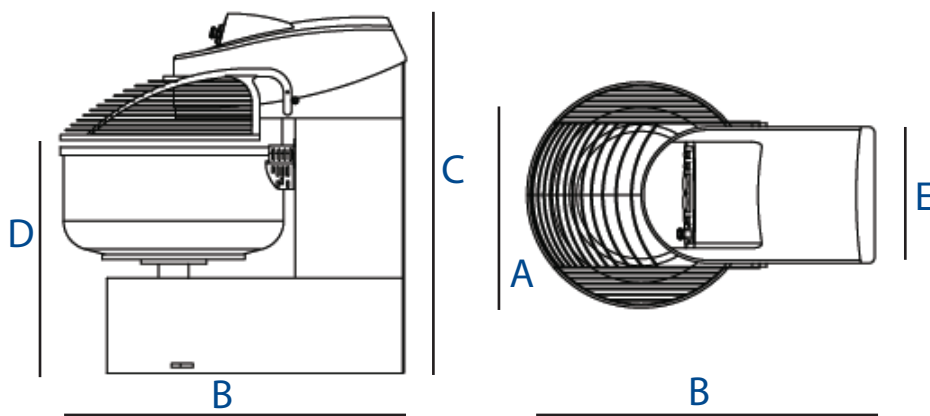
- Fixed stainless steel bowl
- Patented breaker arm fitted
- Two speed operation
- Fitted with wire grid guard
- Bowl reverse function and automatic change from low to high speed
- Supplied on wheels with adjustable feet for added stability
- As required by safety regulations fully guarded with an inbuilt micro-switch control safety feature
- Comprehensive operation and cleaning procedure manual supplied



Twist60



Twist60, Twist90, Twist130 Spiral Mixers



Australia
www.moffat.com.au
New Zealand
www.moffat.co.nz

Australia
Moffat Pty Limited

Victoria/Tasmania
740 Springvale Road
Mulgrave, Victoria 3170
Telephone 03-9518 3888
Facsimile 03-9518 3833
vsales@moffat.com.au
www.moffat.com.au

New South Wales
Telephone 02-8833 4111
nswsales@moffat.com.au

South Australia
Telephone 03-9518 3888
vsales@moffat.com.au

Queensland
Telephone 07-3630 8600
qldsales@moffat.com.au

Western Australia
Telephone 08-9202 6820
bgarcia@moffat.com.au

New Zealand
Moffat Limited

Christchurch
16 Osborne Street
Christchurch 8011
Telephone 03-389 1007
Facsimile 03-389 1276
sales@moffat.co.nz

Auckland
Telephone 09-574 3150
sales@moffat.co.nz

| Model | Width (A) | Depth (B) | Height (C) | Height (D) | Base Width (E) |
|----------|-----------|-----------|------------|------------|----------------|
| Twist60 | 626mm | 1049mm | 1254mm | 778mm | 450mm |
| Twist90 | 739mm | 1174mm | 1359mm | 819mm | 530mm |
| Twist130 | 833mm | 1271mm | 1359mm | 963mm | 530mm |

| Model | Dough Capacity | Flour Capacity | Electrical Requirements | Weight |
|----------|----------------|----------------|--|--------|
| Twist60 | 60kg | 38kg | 400-415V, 3P+N+E, 50Hz, 5.0kW Supplied with 4pin 20amp plug | 285kg |
| Twist90 | 90kg | 50kg | 400-415V, 3P+N+E, 50Hz, 5.8kW Supplied with 4pin 20amp plug | 405kg |
| Twist130 | 130kg | 70kg | 400-415V, 3P+N+E, 50Hz, 7.5kW Supplied with 4pin 32amp plug | 430kg |

