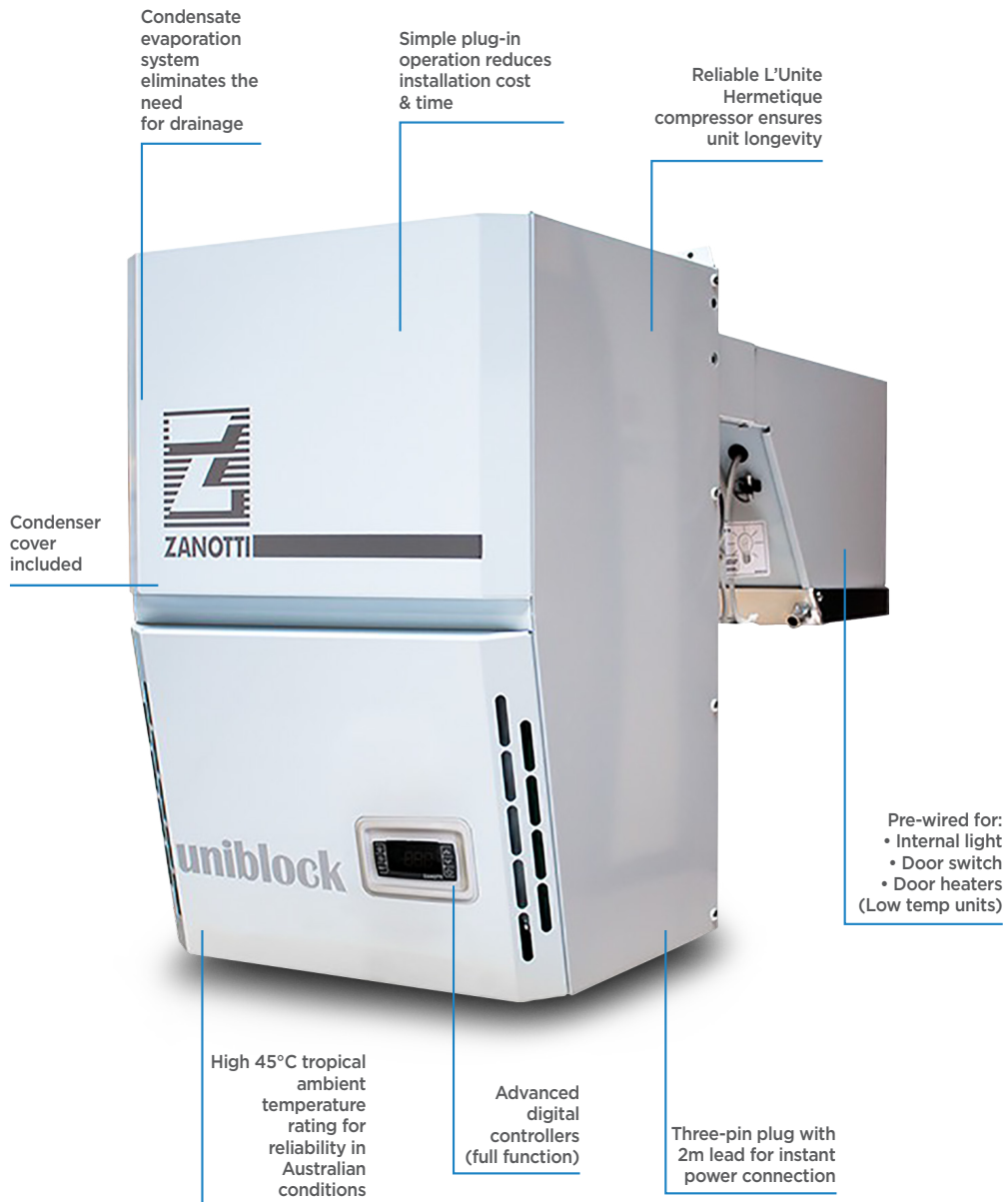


**BZN218 | Zanotti ZN Range Slide-In Refrigerated Freezer Systems**

Refrigeration Systems

**BZN218**

**ZANOTTI ZN RANGE SLIDE-IN REFRIGERATED FREEZER SYSTEMS**



Internal light included



Drainage may be required in extreme ambient conditions or when storing high-water content produce

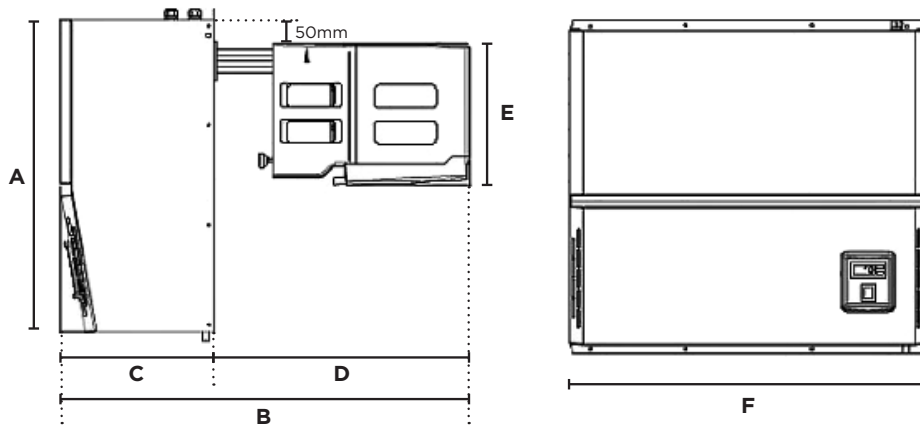


Digital Controller



## BZN218 | Zanotti ZN Range Slide-In Refrigerated Freezer Systems

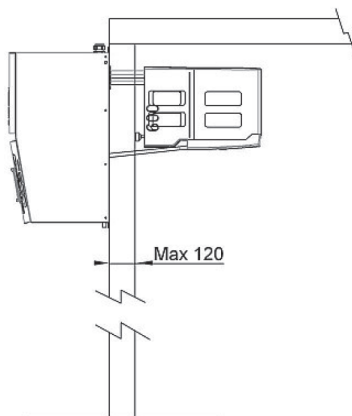
### Refrigeration Systems



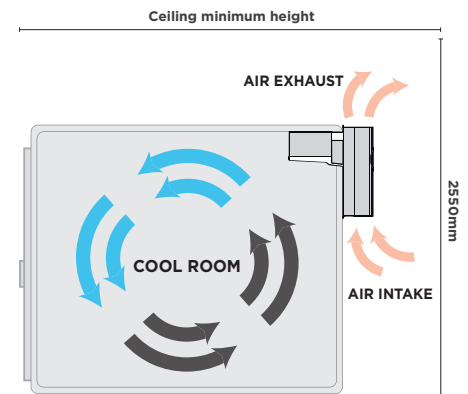
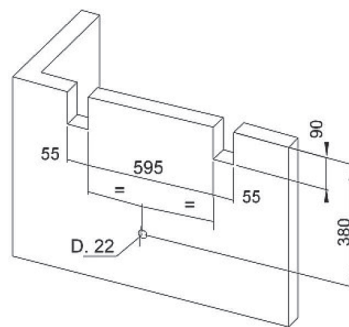
### DIMENSIONS

	External (mm)
A	660
B	865
C	325
D	540
E	300
F	760

### Mounting Scheme



### Straddle-wall application



Sliding in from the side, this slim system utilises a vertical air path to minimise clearance requirements

Part Number	3835220
Refrigeration Capacity	1454W
Temp. Range (°C)	-25 to -5°C
Max. Ambient Temp. (°C)	45°C
Run/Full-Load (Amps)	6.34/9.73A
Temp. Display	Digital
Interior Light	Yes
Gross Weight (kg)	67kg
Refrigerant	R404a
Power Supply	10A
Defrost Type	Electronic
Type of Control	Digital
Internal Light	Pre-Wired
Heated Door Trim	Yes
Drainage Required	No
Warranty	1 Year, Parts only
Warranty Service	Bromic Extra Care

### POWER DATA

Tc °C	Ta °C	P watt	P Kcal/h	V120 m³	V100 m³	V80 m³
20	20	1984	1706	18	16	14
	25	1864	1603	18	16	14
	30	1741	1497	16	14	12
	35	1611	1385	14	12	11
	40	1471	1265	12	11	9.4
-15	45	1317	1133	10	8.9	7.8
	20	1669	1435	15	13	12
	25	1578	1357	14	12	11
	30	1454	1250	12	11	9.4
	35	1327	1141	10	8.9	7.8
-20	40	1226	1054	8.9	7.9	6.9
	45	1182	1017	8.4	7.5	6.6
	20	1400	1204	11	9.8	8.6
	25	1279	1100	9.6	8.5	7.5
	30	1178	1013	8.4	7.5	6.6
-25	35	1104	949	7.5	6.7	5.9
	40	1060	912	7	6.2	5.5
	45	1050	903	6.9	6.1	5.4

\* Low temperature rated at -20°C internal temperature, 30°C ambient temperature.