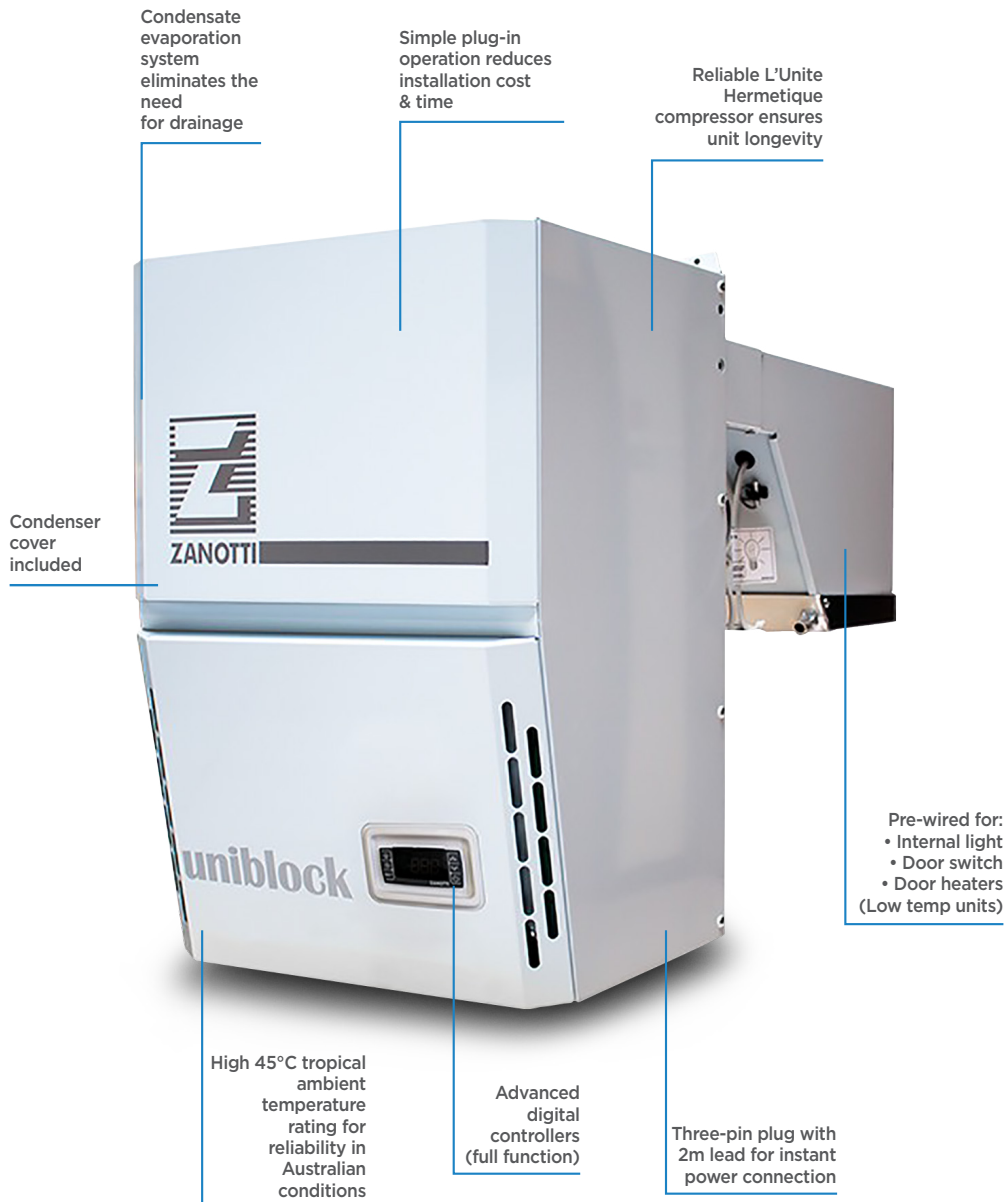


BZN220 | Zanotti ZN Range Slide-In Refrigerated Freezer Systems

Refrigeration Systems

BZN220

ZANOTTI ZN RANGE SLIDE-IN REFRIGERATED FREEZER SYSTEMS



Internal light included



Drainage may be required in extreme ambient conditions or when storing high-water content produce

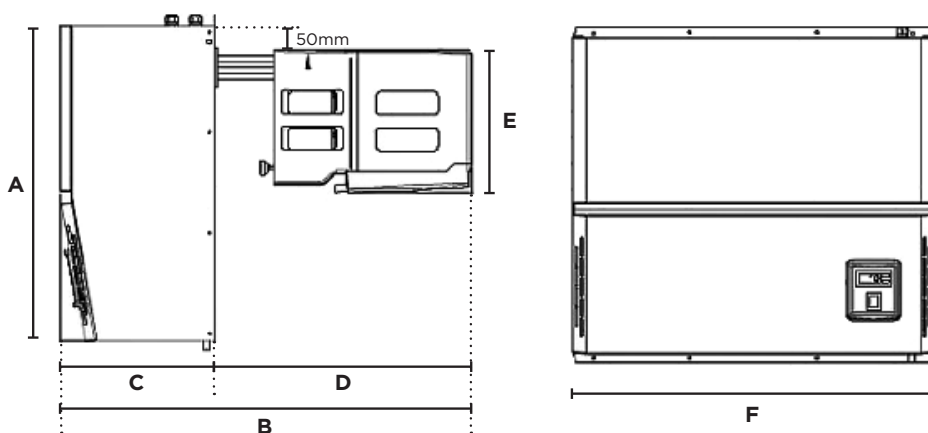


Digital Controller



BZN220 | Zanotti ZN Range Slide-In Refrigerated Freezer Systems

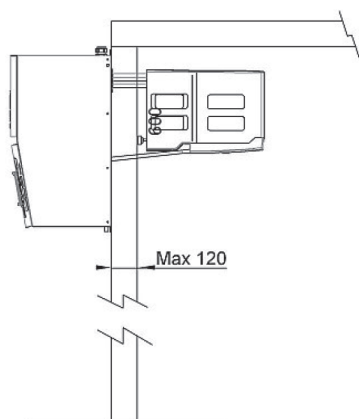
Refrigeration Systems



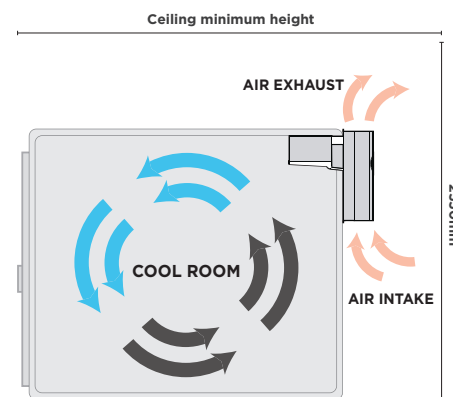
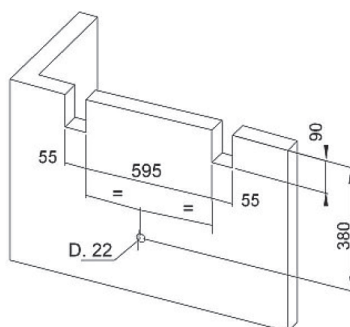
DIMENSIONS

	External (mm)
A	660
B	865
C	325
D	540
E	300
F	760

Mounting Scheme



Straddle-wall application



Sliding in from the side, this slim system utilises a vertical air path to minimise clearance requirements

SPECIFICATIONS

Part Number	3835221
Refrigeration Capacity	1807W
Temp. Range (°C)	-25 to -5°C
Max. Ambient Temp. (°C)	45°C
Run/Full-Load (Amps)	8.06/17.65A
Temp. Display	Digital
Interior Light	Yes
Gross Weight (kg)	76kg
Refrigerant	R404a
Power Supply	25A
Defrost Type	Electronic
Type of Control	Digital
Internal Light	Pre-Wired
Heated Door Trim	Yes
Drainage Required	No
Warranty	1 Year, Parts only
Warranty Service	Bromic Extra Care

POWER DATA

Tc °C	Ta °C	P watt	P Kcal/h	V120 m³	V100 m³	V80 m³
20	20	2456	2112	27	24	21
	25	2298	1976	24	21	19
	30	2135	1836	21	19	16
	35	1967	1692	18	16	14
	40	1794	1543	17	15	13
-15	45	1616	1390	14	12	11
	20	2115	1819	21	19	16
	25	1963	1688	18	16	14
	30	1807	1554	17	15	13
	35	1648	1417	15	13	12
-20	40	1485	1277	12	11	9.4
	45	1321	1136	10	8.9	7.8
	20	1777	1528	16	14	12
	25	1637	1408	14	12	11
	30	1483	1275	12	11	9.4
-25	35	1327	1141	10	8.9	7.8
	40	1183	1017	8.4	7.5	6.6
	45	1065	916	7	6.2	5.5

* Low temperature rated at -20°C internal temperature, 30°C ambient temperature.