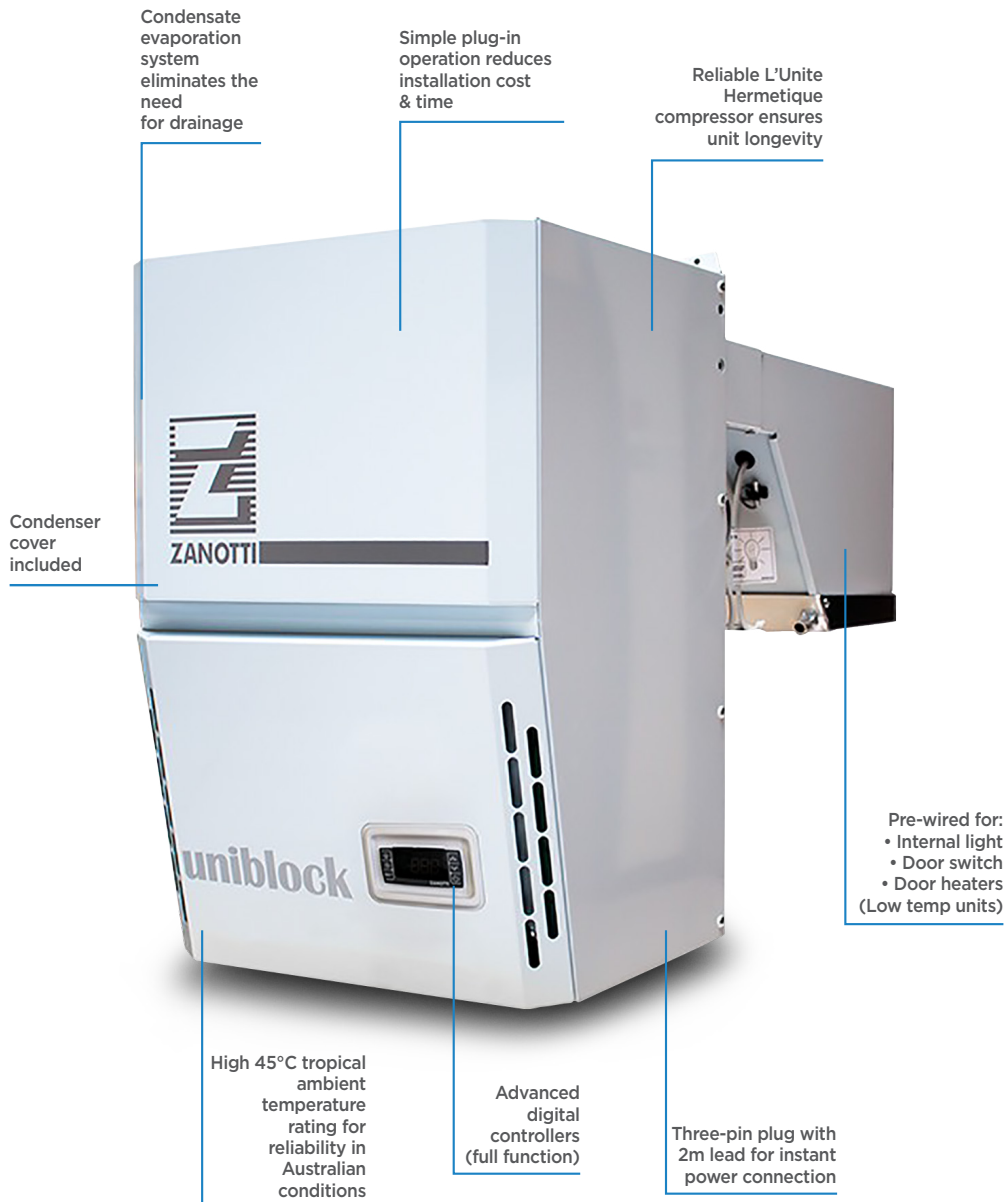


BZN330 | Zanotti ZN Range Slide-In Refrigerated Freezer Systems

Refrigeration Systems

BZN330

ZANOTTI ZN RANGE SLIDE-IN REFRIGERATED FREEZER SYSTEMS



Internal light included



Drainage may be required in extreme ambient conditions or when storing high-water content produce

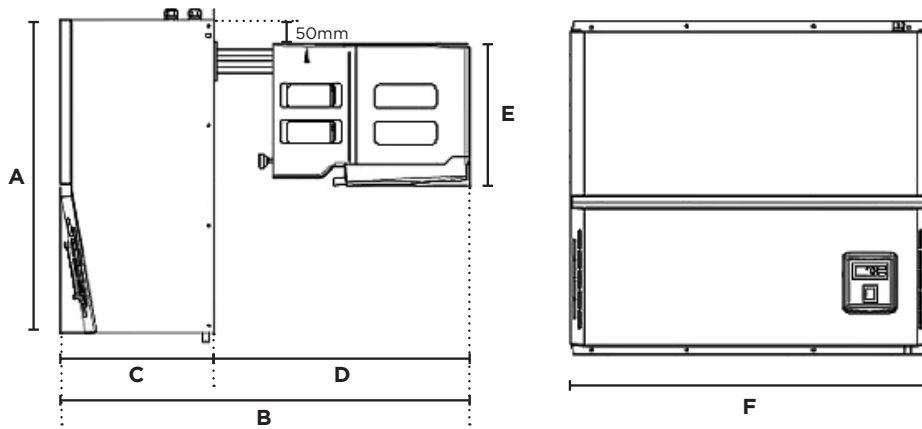


Digital Controller



BZN330 | Zanotti ZN Range Slide-In Refrigerated Freezer Systems

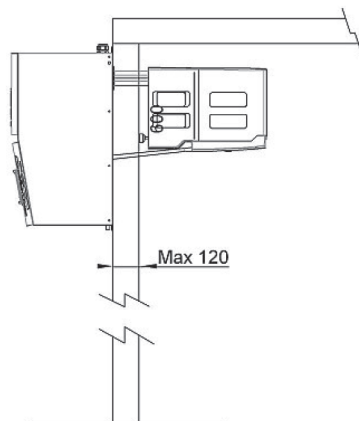
Refrigeration Systems



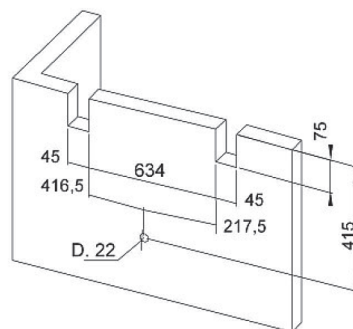
DIMENSIONS

	External (mm)
A	660
B	1055
C	430
D	625
E	375
F	760

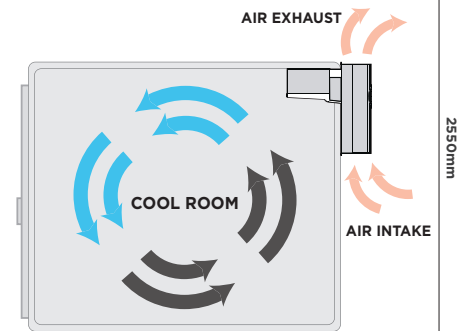
Mounting Scheme



Straddle-wall application



Ceiling minimum height



Sliding in from the side, this slim system utilises a vertical air path to minimise clearance requirements

SPECIFICATIONS	Part Number	3835223
Refrigeration Capacity	2605W	
Temp. Range (°C)	-25 to -5°C	
Max. Ambient Temp. (°C)	45°C	
Run/Full-Load (Amps)	11.16/25.25A	
Temp. Display	Digital	
Interior Light	Yes	
Gross Weight (kg)	95kg	
Refrigerant	R404a	
Power Supply	32A	
Defrost Type	Electronic	
Type of Control	Digital	
Internal Light	Pre-Wired	
Heated Door Trim	Yes	
Drainage Required	No	
Warranty	1 Year, Parts only	
Warranty Service	Bromic Extra Care	

POWER DATA	Tc °C	Ta °C	P watt	P Kcal/h	V120 m³	V100 m³	V80 m³
		20	3694	3177	52	46	41
		25	3433	2952	47	42	37
	-15	30	3170	2726	41	36	32
		35	2905	2498	36	32	28
		40	2638	2269	31	28	24
		45	2371	2039	26	23	20
		20	3035	2610	39	35	30
		25	2821	2426	34	30	27
	-20	30	2605	2240	30	27	23
		35	2382	2049	26	23	20
		40	2143	1843	21	19	16
		45	1880	1617	18	16	14
		20	2480	2133	28	25	22
		25	2288	1968	24	21	19
	-25	30	2078	1787	20	18	16
		35	1866	1605	18	16	14
		40	1666	1433	15	13	12
		45	1494	1285	12	11	9.4

* Low temperature rated at -20°C internal temperature, 30°C ambient temperature.